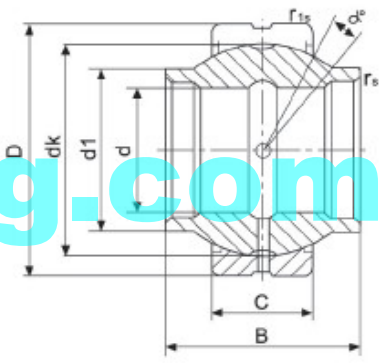


GEEM..ES  
GEM..ES  
GE..HO



GEEM..ES-2RS  
GEM..ES-2RS  
GE..HO-2RS

www.mvbbearing.com

Specifications:

- 1) Sliding Contact Surfaces: Steel vs. Steel.
- 2) Materials: Both outer race and inner race are made of high chrome bearing steel.
- 3) Heat treatment: Both outer race and inner race are quenched (hardened), surface phosphorized.
- 4) Features of Structure: With oil groove and oil holes, with an axial split in outer race.
- 5) Lubricant: molybdenum disulfide.
- 6) Properties: Good wearability, corrosion resistance, self-alignment.

Bearing Number				Dimensions (mm)									Load Ratings (KN)		Weight ≈ (kg)
MVB		ELGES/INA	SKF	d	D	B	C	d <sub>1</sub> max	d <sub>k</sub>	r <sub>s</sub> min	r <sub>1s</sub> min	α° ≈	Dynamic Cr	Static Cor	
Open	Sealed														
GEEM20ES	GEEM20ES-2RS	GE20HO-2RS	GEM20ES-2RS	20	35	24	12	24	29	0.3	0.3	6	30	146	0.07
GEEM25ES	GEEM25ES-2RS	GE25HO-2RS	GEM25ES-2RS	25	42	29	16	29	35.5	0.3	0.6	4	48	240	0.13
GEEM30ES	GEEM30ES-2RS	GE30HO-2RS	GEM30ES-2RS	30	47	30	18	34	40.7	0.3	0.6	4	62	310	0.17
GEEM35ES	GEEM35ES-2RS	GE35HO-2RS	GEM35ES-2RS	35	55	35	20	40	47	0.6	1	4	79	399	0.25
GEEM40ES	GEEM40ES-2RS	GE40HO-2RS	GEM40ES-2RS	40	62	38	22	45	53	0.6	1	4	99	495	0.35
GEEM45ES	GEEM45ES-2RS	GE45HO-2RS	GEM45ES-2RS	45	68	40	25	52	60	0.6	1	4	127	637	0.49
GEEM50ES	GEEM50ES-2RS	GE50HO-2RS	GEM50ES-2RS	50	75	43	28	57	66	0.6	1	4	156	780	0.6
GEEM60ES	GEEM60ES-2RS	GE60HO-2RS	GEM60ES-2RS	60	90	54	36	68	80	0.6	1	3	245	1220	1.15
GEEM70ES	GEEM70ES-2RS	GE70HO-2RS	GEM70ES-2RS	70	105	65	40	78	92	0.6	1	4	313	1560	1.65
GEEM80ES	GEEM80ES-2RS	GE80HO-2RS	GEM80ES-2RS	80	120	74	45	90	105	0.6	1	4	400	2000	2.5