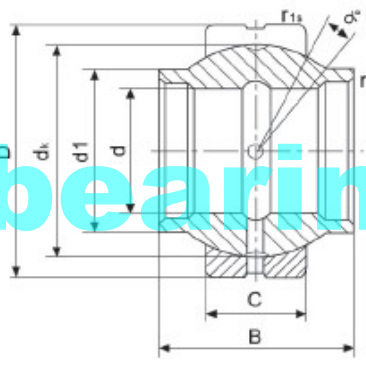
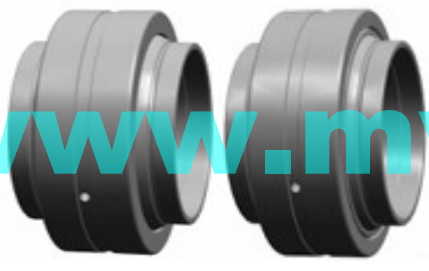
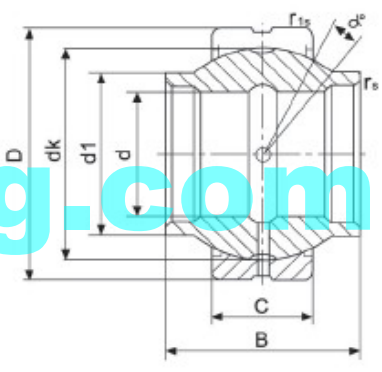




www.mvbbearing.com



GEEW..ES
GEG..ES
GE..LO



GEEW..ES-2RS
GEG..ES-2RS
GE..LO-2RS

Specifications:

- 1) Sliding Contact Surfaces: Steel vs. Steel.
- 2) Materials: Both outer race and inner race are made of high chrome bearing steel.
- 3) Heat treatment: Both outer race and inner race are quenched (hardened), surface phosphorized.
- 4) Features of Structure: With oil groove and oil holes, with an axial split in outer race.
- 5) Lubricant: molybdenum disulfide.
- 6) Properties: Good wearability, corrosion resistance, self-alignment.



Bearing Number				Dimensions (mm)									Load Ratings (KN)		Weight ≈(kg)
MVB		ELGES/INA	SKF	d	D	B	C	d ₁ max	d _k	r _s min	r _{1s} min	α° ≈	Dynamic Cr	Static Cor	
Open	Sealed														
GEEW12ES*		GEG12ES	GE12LO	12	22	12	7	15.5	18	0.3	0.3	4	10	53	0.02
GEEW15ES	GEEW15ES-2RS	GEG15ES-2RS	GE15LO-2RS	15	26	15	9	18.5	22	0.3	0.3	5	16	84	0.03
GEEW16ES	GEEW16ES-2RS	GEG16ES-2RS	GE16LO-2RS	16	28	16	9	20	23	0.3	0.3	4	17	85	0.04
GEEW17ES	GEEW17ES-2RS	GEG17ES-2RS	GE17LO-2RS	17	30	17	10	21	25	0.3	0.3	7	21	106	0.04
GEEW20ES	GEEW20ES-2RS	GEG20ES-2RS	GE20LO-2RS	20	35	20	12	25	29	0.3	0.3	4	30	146	0.07
GEEW25ES	GEEW25ES-2RS	GEG25ES-2RS	GE25LO-2RS	25	42	25	16	30.5	35.5	0.6	0.6	4	48	240	0.13
GEEW30ES	GEEW30ES-2RS	GEG30ES-2RS	GE30LO-2RS	30	47	30	18	34	40.7	0.6	0.6	4	62	310	0.17
GEEW32ES	GEEW32ES-2RS	GEG32ES-2RS	GE32LO-2RS	32	52	32	18	37	43	0.6	1	4	65	328	0.18
GEEW35ES	GEEW35ES-2RS	GEG35ES-2RS	GE35LO-2RS	35	55	35	20	40	47	0.6	1	4	79	399	0.25
GEEW40ES	GEEW40ES-2RS	GEG40ES-2RS	GE40LO-2RS	40	62	40	22	46	53	0.6	1	4	99	495	0.34
GEEW45ES	GEEW45ES-2RS	GEG45ES-2RS	GE45LO-2RS	45	68	45	25	52	60	0.6	1	4	127	637	0.48
GEEW50ES	GEEW50ES-2RS	GEG50ES-2RS	GE50LO-2RS	50	75	50	28	57	66	0.6	1	4	156	780	0.56
GEEW60ES	GEEW60ES-2RS	GEG60ES-2RS	GE60LO-2RS	60	90	60	36	68	80	1	1	4	245	1220	1.15
GEEW63ES	GEEW63ES-2RS	GEG63ES-2RS	GE63LO-2RS	63	95	63	36	71.5	83	1	1	4	253	1260	1.25
GEEW70ES	GEEW70ES-2RS	GEG70ES-2RS	GE70LO-2RS	70	105	70	40	78	92	1	1	4	313	1560	1.71
GEEW80ES	GEEW80ES-2RS	GEG80ES-2RS	GE80LO-2RS	80	120	80	45	91	105	1	1	4	400	2000	2.39
GEEW90ES	GEEW90ES-2RS	GEG90ES-2RS	GE90LO-2RS	90	130	90	50	99	115	1	1	4	488	2440	3.21
GEEW100ES	GEEW100ES-2RS	GEG100ES-2RS	GE100LO-2RS	100	150	100	55	113	130	1	1	4	607	3030	4.79
GEEW110ES	GEEW110ES-2RS	GEG110ES-2RS	GE110LO-2RS	110	160	110	55	124	140	1	1	4	654	3270	5.78
GEEW125ES	GEEW125ES-2RS	GEG125ES-2RS	GE125LO-2RS	125	180	125	70	138	160	1	1	4	950	4750	8.49
GEEW160ES	GEEW160ES-2RS	GEG160ES-2RS	GE160LO-2RS	160	230	160	80	177	200	1	1	4	1360	6800	16.5
GEEW200ES	GEEW200ES-2RS	GEG200ES-2RS	GE200LO-2RS	200	290	200	100	221	250	1.1	1.1	4	2120	10600	32.1
GEEW250ES	GEEW250ES-2RS	GEG250ES-2RS	GE250LO-2RS	250	400	250	120	317	350	1.1	1.1	4	3750	17800	99.1
GEEW320ES	GEEW320ES-2RS	GEG320ES-2RS	GE320LO-2RS	320	520	320	160	405	450	1.1	1.1	4	6200	30500	225

*A lubrication groove and holes on the outer ring only.