

Plummer Blocks, 剖分式轴承座

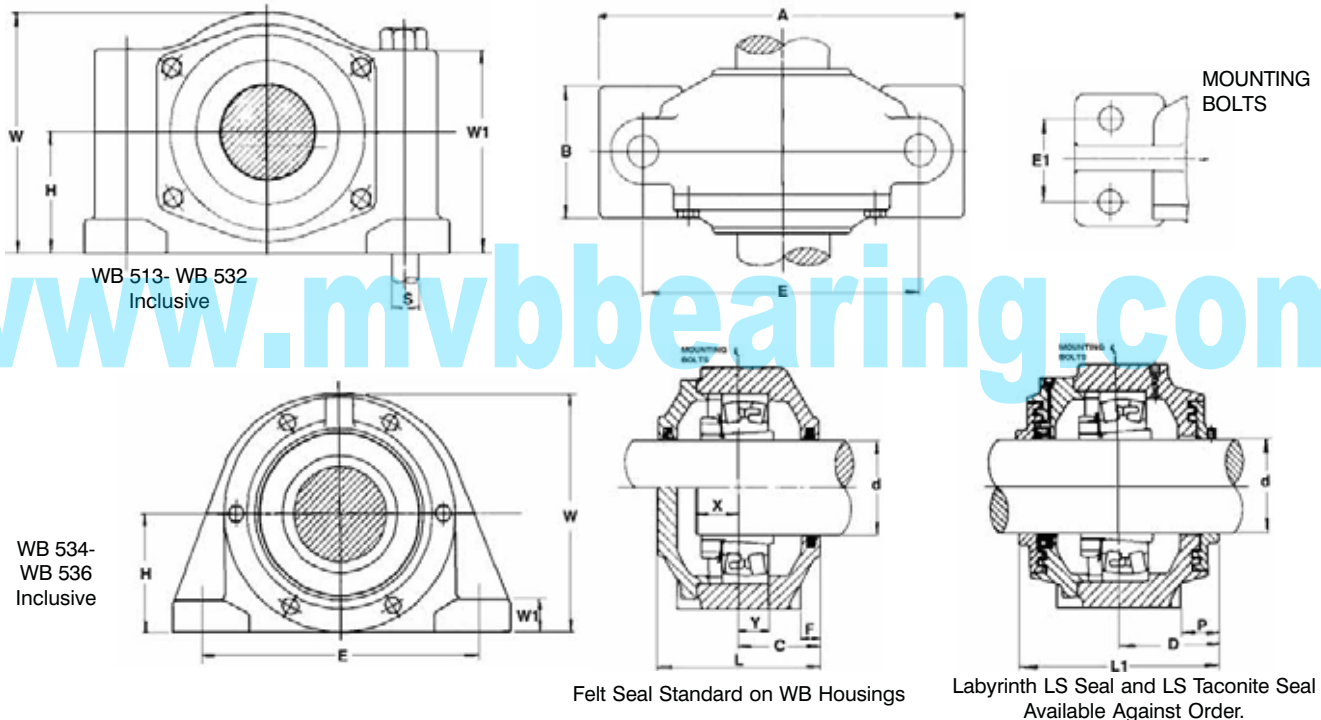
Split Bearing Housings, Split Pillow Block Housings



WB500 Series

For Self-Aligning Ball Bearings or Spherical Roller Bearings with Adapter Sleeves

Stehlagergehäuse · Paliers à semelle en 2 parties · Soportes de rodamientos · Soportes de Pie · Soportes Bipartidos · CHUMACERAS
CHUMACEIRAS · Корпуса подшипников · Стационарные подшипниковые узлы · Supporti ritti in due metà



www.mvbbearing.com

Unit No.	Shaft Dia (in) (mm)	Dimension (mm)														Bolt Diameter		Bearing No.		Adapter Sleeve		Spacer Ring																							
		H	A	E	Y	C	D	B	W	W1	L	L1	F	P	E1	X	2 Bolt	4 Bolt	Ball	Roller	Metric	Inch	No.(SR)	Qty																					
WB513	2-1/4	60	80.16	197	162	22.552	72	79	155	140	102	137	11	27		M16		1213K	H213	HE213	120 x 10	2	2213K	H313	HE313	120 x 12	1	22213K	H313	HE313	120 x 12	1													
																																	29	2215K	H215	HE215	130 x 8	2	2215K	H315	HE315	130 x 10	1		
																																												22215K	H315
WB515	2-1/2	65	82.55	267	191	20.556	78	89	165	140	111	153	11	30		M20		1216K	H216	HE216	140 x 8.5	2	2216K	H316	HE316	140 x 10	1	22216K	H316	HE316	140 x 10	1													
																																	31	1217K	H217	HE217	150 x 9	2	2217K	H317	HE317	150 x 10	1		
																																												22217K	H317
WB516	2-3/4	70	98.42	292	216	21.558	82	102	191	165	114	160	6.5	28		M24		1218K	H218	HE218	160 x 16.2	2	2218K	H318	HE318	160 x 11.2	2	22218K	H318	HE318	160 x 11.2	2													
																																	35	1219K	H219	HE219	170 x 10	2	2219K	H319	HE319	170 x 10	1		
																																												22219K	H319
WB517	3	75	98.42	292	216	23	60	82	102	194	165	119	162	9	30		M24		1220K	H220	HE220	180 x 18.1	2	2220K	H320	HE320	180 x 12.1	2	22220K	H320	HE320	180 x 12.1	2												
																																		36	1221K	H221	HE221	190 x 10	2	2221K	H321	HE321	190 x 10	1	
																																													22221K
WB518	3-1/4	80	107.95	311	241	31.266	90	102	213	184	133	175	14	35		M24		1222K	H222	HE222	200 x 21	2	2222K	H322	HE322	200 x 13.5	2	22222K	H322	HE322	200 x 13.5	2													
																																	44	1223K	H223	HE223	210 x 10	1	2223K	H323	HE323	210 x 10	1		
																																												22232K	H323
WB520	3-1/2	90	117.47	337	260	38.374	98	108	229	197	146	190	19	42		M24		1224K	H224	HE224	215 x 14	2	2224K	H324	HE324	215 x 10	1	22224K	H324	HE324	215 x 10	1													
																																	52	1225K	H225	HE225	230 x 13	2	2225K	H325	HE325	230 x 13	2		
																																												22225K	H325
WB522	4	100	133.35	375	292	42.380	100	121	257	222	157	196	19	38		M30		1226K	H226	HE226	250 x 15	2	2226K	H326	HE326	250 x 10	1	22226K	H326	HE326	250 x 10	1													
																																	60	1227K	H227	HE227	270 x 16.5	2	2227K	H327	HE327	270 x 16.5	2		
																																												22227K	H327
WB524	4-1/4	110	139.7	394	305	43	86	110	133	270	229	172	213	19	40		M30		1228K	H228	HE228	290 x 17	2	2228K	H328	HE328	290 x 10	1	22228K	H328	HE328	290 x 10	1												
																																		62	1229K	H229	HE229	310 x 17	2	2229K	H329	HE329	310 x 10	1	
																																													22229K
WB526	4-1/2	115	149.22	425	330	45	82	108	140	295	241	172	210	12	34		M30		1230K	H230	HE230	320 x 18	2	2230K	H330	HE330	320 x 10	1	22230K	H330	HE330	320 x 10	1												
																																		67	1231K	H231	HE231	340 x 18	2	2231K	H331	HE331	340 x 10	1	
																																													22231K
WB528	5	125	149.22	444	330	49	88	114	140	308	241	182	232	18	42		M30		1232K	H232	HE232	350 x 18	2	2232K	H332	HE332	350 x 10	1	22232K	H332	HE332	350 x 10	1												
																																		77	1233K	H233	HE233	370 x 16.5	2	2233K	H333	HE333	370 x 10	1	
																																													22233K
WB530	5-1/4	135	165.10	489	356	50	92	115	146	330	267	219	254	19	42		M36		1234K	H234	HE234	400 x 18	2	2234K	H334	HE334	400 x 10	1	22234K	H334	HE334	400 x 10	1												
																																		78	1235K	H235	HE235	420 x 18	2	2235K	H335	HE335	420 x 10	1	
																																													22235K
WB532	5-1/2	140	177.80	533	381	59	95	120	152	352	305	228	267	19	42		M36		1236K	H236	HE236	450 x 18	2	2236K	H336	HE336	450 x 10	1	22236K	H336	HE336	450 x 10	1												
																																		84	1237K	H237	HE237	470 x 18	2	2237K	H337	HE337	470 x 10	1	
																																													22237K
WB534	6	150	179.39	533	457	60	120	140	190	365	44.5	241	279	22	46	117.5		M30		1238K	H238	HE238	500 x 18	2	2238K	H338	HE338	500 x 10	1	22238K	H338	HE338	500 x 10	1											
																																			86	1239K	H239	HE239	520 x 18	2	2239K	H339	HE339	520 x 10	1

Unless specified "B" type open covers supplied. One housing per set should include spacer rings.