

Plummer Blocks, 剖分式轴承座

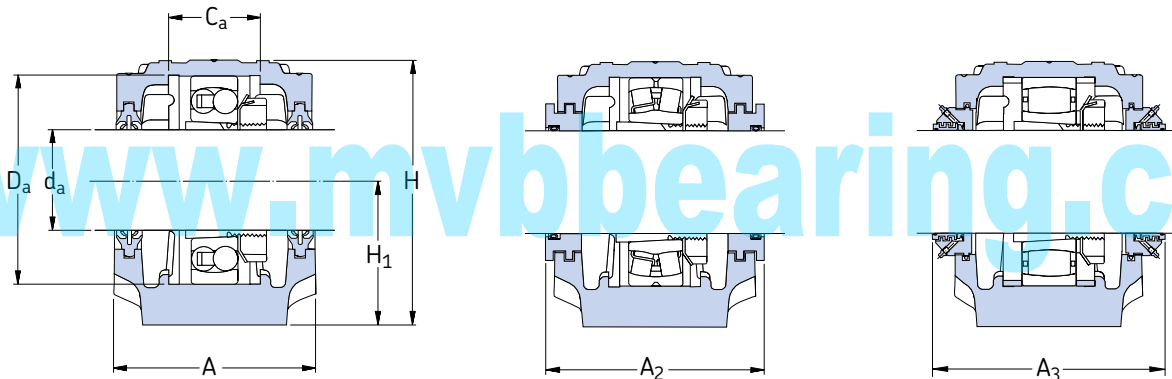
Split Bearing Housings, Split Pillow Block Housings



SNL500-600 Series

For Self-Aligning Ball Bearings or Spherical Roller Bearings with Adapter Sleeves

Stehlagergehäuse · Paliers à semelle en 2 parties · Soportes de rodamientos · Soportes de Pie · Soportes Bipartidos · CHUMACERAS
CHUMACEIRAS · Корпуса подшипников · Стационарные подшипниковые узлы · Supporti ritti in due metà



Four-lip seals
L design

Labyrinth seals
S design

Taconite seals
ND design

Shaft Dimensions	Housing Dimensions										Mass	Designations Housing complete with two seals	Components Housing only	Seals	End cover
	d _a	A	A ₁	H	H ₁	H ₂	J	L	N	N ₁					
mm	mm										kg	-			
20	67	46	74	40	19	130	165	20	15	12	1,45	SNL 505 TG SNL 505 TA SNL 505 TS SNL 505 TND	SNL 505 SNL 505 SNL 505 SNL 505	TSN 505 G TSN 505 A TSN 505 S TSN 505 ND	ASNH 505 ASNH 505 ASNH 505 ASNH 505
	77	52	89	50	22	150	185	20	15	12	2,00	SNL 605 TG SNL 605 TA SNL 605 TS SNL 605 TND	SNL 506-605 SNL 506-605 SNL 506-605 SNL 506-605	TSN 605 G TSN 605 A TSN 605 S TSN 605 ND	ASNH 506-605 ASNH 506-605 ASNH 506-605 ASNH 506-605
25	77	52	89	50	22	150	185	20	15	12	2,00	SNL 506 TG SNL 506 TA SNL 506 TS SNL 506 TND	SNL 506-605 SNL 506-605 SNL 506-605 SNL 506-605	TSN 506 G TSN 506 A TSN 506 S TSN 506 ND	ASNH 506-605 ASNH 506-605 ASNH 506-605 ASNH 506-605
	82	52	93	50	22	150	185	20	15	12	2,20	SNL 606 TG SNL 606 TA SNL 606 TS SNL 606 TND	SNL 507-606 SNL 507-606 SNL 507-606 SNL 507-606	TSN 606 G TSN 606 A TSN 606 S TSN 606 ND	ASNH 507-606 ASNH 507-606 ASNH 507-606 ASNH 507-606
30	82	52	93	50	22	150	185	20	15	12	2,20	SNL 507 TL SNL 507 TA SNL 507 TS SNL 507 TND	SNL 507-606 SNL 507-606 SNL 507-606 SNL 507-606	TSN 507 L TSN 507 A TSN 507 S TSN 507 ND	ASNH 507-606 ASNH 507-606 ASNH 507-606 ASNH 507-606
	85	60	108	60	25	170	205	20	15	12	2,90	SNL 607 TG SNL 607 TA SNL 607 TS SNL 607 TND	SNL 508-607 SNL 508-607 SNL 508-607 SNL 508-607	TSN 607 G TSN 607 A TSN 607 S TSN 607 ND	ASNH 508-607 ASNH 508-607 ASNH 508-607 ASNH 508-607
35	85	60	108	60	25	170	205	20	15	12	2,90	SNL 508 TL SNL 508 TA SNL 508 TS SNL 508 TND	SNL 508-607 SNL 508-607 SNL 508-607 SNL 508-607	TSN 508 L TSN 508 A TSN 508 S TSN 508 ND	ASNH 508-607 ASNH 508-607 ASNH 508-607 ASNH 508-607
	90	60	113	60	25	170	205	20	15	12	3,20	SNL 608 TG SNL 608 TA SNL 608 TS SNL 608 TND	SNL 510-608 SNL 510-608 SNL 510-608 SNL 510-608	TSN 608 G TSN 608 A TSN 608 S TSN 608 ND	ASNH 510-608 ASNH 510-608 ASNH 510-608 ASNH 510-608

Plummer Blocks, 剖分式轴承座

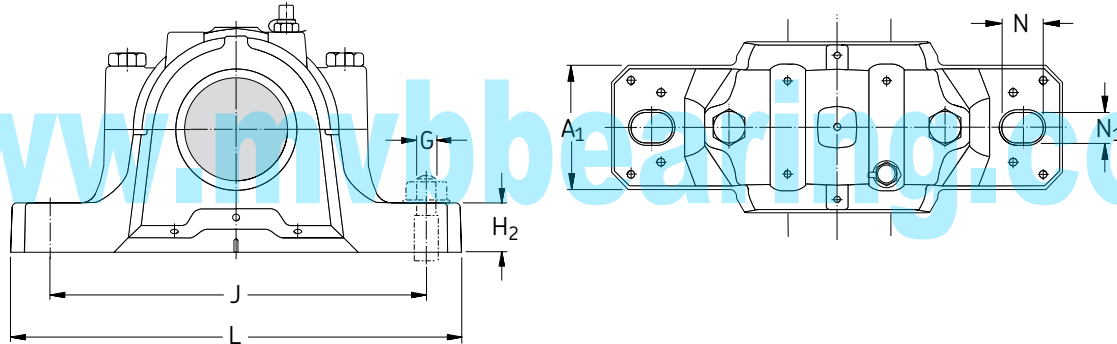
Split Bearing Housings, Split Pillow Block Housings



SNL500-600 Series

For Self-Aligning Ball Bearings or Spherical Roller Bearings with Adapter Sleeves

Stehlagergehäuse · Paliers à semelle en 2 parties · Soportes de rodamientos · Soportes de Pie · Soportes Bipartidos · CHUMACERAS
CHUMACEIRAS · Корпуса подшипников · Стационарные подшипниковые узлы · Supporti ritri in due metà



Shaft d_a	Bearing seating		Width across seal		Appropriate bearings and associated components					
	C_a	D_a	A_2	A_3	Self-aligning ball bearing Spherical roller bearing	Adapter sleeve	Locating rings 2 per housing	Self-aligning ball bearing Spherical roller bearing CARB bearing	Adapter sleeve	Locating rings 2 per housing
mm	mm	mm	mm	mm	-					
20	25	52	80	125	1205 EK -	H 205	FRB 5/52	2205 EK 22205 EK C 2205 K	H 305 H 305 H 305 E	FRB 3.5/52 FRB 3.5/52 FRB 3.5/52
	32	62	89	135	1305 EK -	H 305	FRB 7.5/62	2305 EK -	H 2305	FRB 4/62 -
25	32	62	89	135	1206 EK -	H 206	FRB 8/62	2206 EK 22206 EK C 2206 K	H 306 H 306 H 306 E	FRB 6/62 FRB 6/62 FRB 6/62
	34	72	94	140	1306 EK 21306 CCK	H 306 H 306	FRB 7.5/72 FRB 7.5/72	2306 K -	H 2306	FRB 3.5/72 -
30	34	72	94	145	1207 EK -	H 207	FRB 8.5/72	2207 EK 22207 EK C 2207 K	H 307 H 307 H 307 E	FRB 5.5/72 FRB 5.5/72 FRB 5.5/72
	39	80	97	145	1307 EK 21307 CCK	H 307 H 307	FRB 9/80 FRB 9/80	2307 EK -	H 2307	FRB 4/80 -
35	39	80	97	150	1208 EK -	H 208	FRB 10.5/80	2208 EK 22208 EK C 2208 K	H 308 H 308 H 308 E	FRB 8/80 FRB 8/80 FRB 8/80
	41	90	102	150	1308 EK 21308 CCK	H 308 H 308	FRB 9/90 FRB 9/90	2308 EK 22308 EK	H 2308 H 2308	FRB 4/90 FRB 4/90

Plummer Blocks,剖分式轴承座

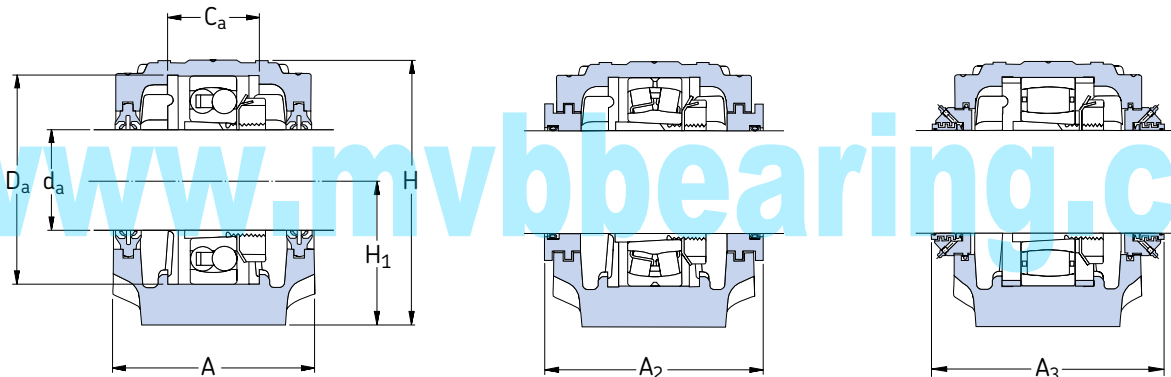
Split Bearing Housings, Split Pillow Block Housings



SNL500-600 Series

For Self-Aligning Ball Bearings or Spherical Roller Bearings with Adapter Sleeves

Stehlagergehäuse · Paliers à semelle en 2 parties · Soportes de rodamientos · Soportes de Pie · Soportes Bipartidos · CHUMACERAS
CHUMACEIRAS · Корпуса подшипников · Стационарные подшипниковые узлы · Supporti ritti in due metà



Four-lip seals
L design

Labyrinth seals
S design

Taconite seals
ND design

Shaft Dimensions	Housing Dimensions										Mass	Designations Housing complete with two seals	Components Housing only	Seals	End cover	
	da	A	A ₁	H	H ₁	H ₂	J	L	N	N ₁						G
mm	mm										kg	-				
40	85	60	109	60	25	170	205	20	15	12	2,90	SNL 509 TL	SNL 509	TSN 509 L	ASNH 509	
			128	70	28	210	255	24	18	16		SNL 509 TA	SNL 509	TSN 509 A	ASNH 509	
			134	70	30	210	255	24	18	16		SNL 509 TS	SNL 509	TSN 509 S	ASNH 509	
			156	80	30	230	280	24	18	16		SNL 509 TND	SNL 509	TSN 509 ND	ASNH 509	
45	90	60	113	60	25	170	205	20	15	12	3,20	SNL 609 TG	SNL 511-609	TSN 609 G	ASNH 511-609	
			128	70	28	210	255	24	18	16		SNL 609 TA	SNL 511-609	TSN 609 A	ASNH 511-609	
			134	70	30	210	255	24	18	16		SNL 609 TS	SNL 511-609	TSN 609 S	ASNH 511-609	
			156	80	30	230	280	24	18	16		SNL 609 TND	SNL 511-609	TSN 609 ND	ASNH 511-609	
50	95	70	128	70	28	210	255	24	18	16	4,40	SNL 510 TL	SNL 510-608	TSN 510 L	ASNH 510-608	
			134	70	30	210	255	24	18	16		SNL 510 TA	SNL 510-608	TSN 510 A	ASNH 510-608	
			156	80	30	230	280	24	18	16		SNL 510 TS	SNL 510-608	TSN 510 S	ASNH 510-608	
			170	80	30	230	280	24	18	16		SNL 510 TND	SNL 510-608	TSN 510 ND	ASNH 510-608	
55	105	70	134	70	30	210	255	24	18	16	5,10	SNL 610 TG	SNL 512-610	TSN 610 G	ASNH 512-610	
			156	80	30	230	280	24	18	16		SNL 610 TA	SNL 512-610	TSN 610 A	ASNH 512-610	
			170	80	30	230	280	24	18	16		SNL 610 TS	SNL 512-610	TSN 610 S	ASNH 512-610	
			184	80	30	230	280	24	18	16		SNL 610 TND	SNL 512-610	TSN 610 ND	ASNH 512-610	
55	105	70	134	70	30	210	255	24	18	16	5,10	SNL 511 TL	SNL 511-609	TSN 511 L	ASNH 511-609	
			156	80	30	230	280	24	18	16		SNL 511 TA	SNL 511-609	TSN 511 A	ASNH 511-609	
			170	80	30	230	280	24	18	16		SNL 511 TS	SNL 511-609	TSN 511 S	ASNH 511-609	
			184	80	30	230	280	24	18	16		SNL 511 TND	SNL 511-609	TSN 511 ND	ASNH 511-609	
55	110	80	150	80	30	230	275	24	18	16	6,50	SNL 611 TG	SNL 513-611	TSN 611 G	ASNH 513-611	
			156	80	30	230	280	24	18	16		SNL 611 TA	SNL 513-611	TSN 611 A	ASNH 513-611	
			170	80	30	230	280	24	18	16		SNL 611 TS	SNL 513-611	TSN 611 S	ASNH 513-611	
			184	80	30	230	280	24	18	16		SNL 611 TND	SNL 513-611	TSN 611 ND	ASNH 513-611	
55	115	80	156	80	30	230	280	24	18	16	7,00	SNL 512 TL	SNL 512-610	TSN 512 L	ASNH 512-610	
			170	80	30	230	280	24	18	16		SNL 512 TA	SNL 512-610	TSN 512 A	ASNH 512-610	
			184	80	30	230	280	24	18	16		SNL 512 TS	SNL 512-610	TSN 512 S	ASNH 512-610	
			200	80	30	230	280	24	18	16		SNL 512 TND	SNL 512-610	TSN 512 ND	ASNH 512-610	
55	115	80	156	80	30	230	280	24	18	16	7,00	SNL 612 TG	SNL 515-612	TSN 612 G	ASNH 515-612	
			170	80	30	230	280	24	18	16		SNL 612 TA	SNL 515-612	TSN 612 A	ASNH 515-612	
			184	80	30	230	280	24	18	16		SNL 612 TS	SNL 515-612	TSN 612 S	ASNH 515-612	
			200	80	30	230	280	24	18	16		SNL 612 TND	SNL 515-612	TSN 612 ND	ASNH 515-612	

Plummer Blocks, 剖分式轴承座

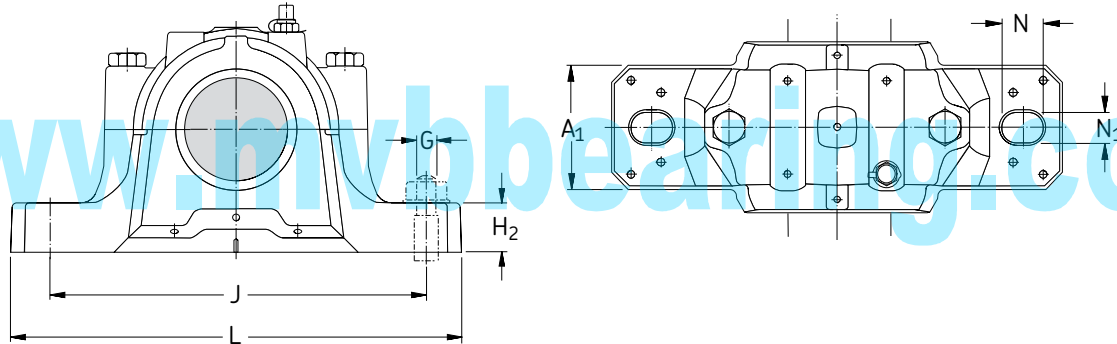
Split Bearing Housings, Split Pillow Block Housings



SNL500-600 Series

For Self-Aligning Ball Bearings or Spherical Roller Bearings with Adapter Sleeves

Stehlagergehäuse · Paliers à semelle en 2 parties · Soportes de rodamientos · Soportes de Pie · Soportes Bipartidos · CHUMACERAS
CHUMACEIRAS · Корпуса подшипников · Стационарные подшипниковые узлы · Supporti ritri in due metà



Shaft d_a	Bearing seating		Width across seal		Appropriate bearings and associated components					
	C_a	D_a	A_2	A_3	Self-aligning ball bearing Spherical roller bearing	Adapter sleeve	Locating rings 2 per housing	Self-aligning ball bearing Spherical roller bearing CARB bearing	Adapter sleeve	Locating rings 2 per housing
mm	mm	mm	mm	mm	-					
40	30	85	97	150	1209 EK -	H 209 -	FRB 5.5/85 -	2209 EK 22209 EK C 2209 K	H 309 H 309 H 309 E	FRB 3.5/85 FRB 3.5/85 FRB 3.5/85
	44	100	107	155	1309 EK 21309 EK	H 309 H 309	FRB 9.5/100 FRB 9.5/100	2309 EK 22309 EK -	H 2309 H 2309 -	FRB 4/100 FRB 4/100 -
45	41	90	102	155	1210 EK -	H 210 -	FRB 10.5/90 -	2210 EK 22210 EK C 2210 K	H 310 H 310 H 310 E	FRB 9/90 FRB 9/90 FRB 9/90
	48	110	117	165	1310 EK 21310 EK	H 310 H 310	FRB 10.5/110 FRB 10.5/110	2310 K 22310 EK -	H 2310 H 2310 -	FRB 4/110 FRB 4/110 -
50	44	100	107	165	1211 EK -	H 211 -	FRB 11.5/100 -	2211 EK 22211 EK C 2211 K	H 311 H 311 H 311 E	FRB 9.5/100 FRB 9.5/100 FRB 9.5/100
	51	120	122	170	1311 EK 21311 EK	H 311 H 311	FRB 11/120 FRB 11/120	2311 K 22311 EK -	H 2311 H 2311 -	FRB 4/120 FRB 4/120 -
55	48	110	117	175	1212 EK -	H 212 -	FRB 13/110 -	2212 EK 22212 EK C 2212 K	H 312 H 312 H 312 E	FRB 10/110 FRB 10/110 FRB 10/110
	56	130	127	175	1312EK 21312 EK	H 312 H 312	FRB 12.5/130 FRB 12.5/130	2312 K 22312 EK -	H 2312 H 2312 -	FRB 5/130 FRB 5/130 -

Plummer Blocks, 剖分式轴承座

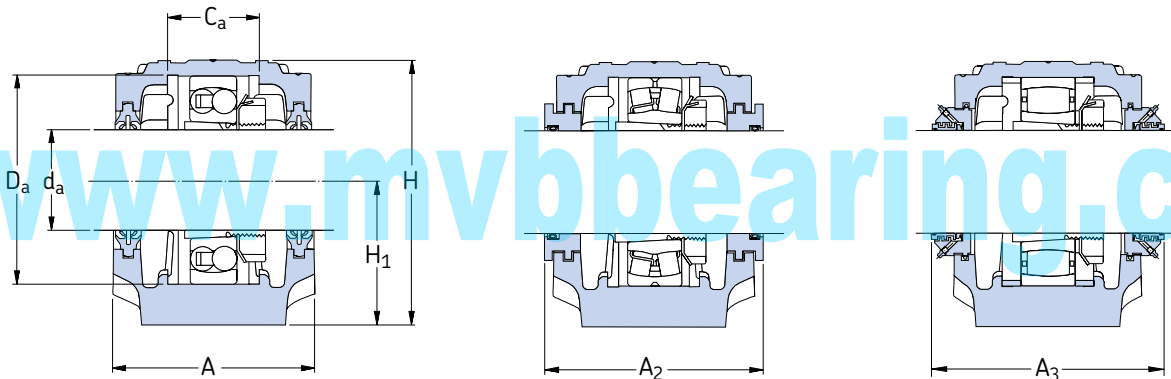
Split Bearing Housings, Split Pillow Block Housings



SNL500-600 Series

For Self-Aligning Ball Bearings or Spherical Roller Bearings with Adapter Sleeves

Stehlagergehäuse · Paliers à semelle en 2 parties · Soportes de rodamientos · Soportes de Pie · Soportes Bipartidos · CHUMACERAS
CHUMACEIRAS · Корпуса подшипников · Стационарные подшипниковые узлы · Supporti ritti in due metà



Four-lip seals
L design

Labyrinth seals
S design

Taconite seals
ND design

Shaft d _a	Housing Dimensions										Mass kg	Designations Housing complete with two seals	Components Housing only	Seals	End cover	
	A	A ₁	H	H ₁	H ₂	J	L	N	N ₁	G						
mm	mm										kg	-				
60	110	80	150	80	30	230	275	24	18	16	6,50	SNL 513 TL SNL 513 TA SNL 513 TS SNL 513 TND	SNL 513-611 SNL 513-611 SNL 513-611 SNL 513-611	TSN 513 L TSN 513 A TSN 513 S TSN 513 ND	ASNH 513-611 ASNH 513-611 ASNH 513-611 ASNH 513-611	
	120	90	177	95	32	260	315	28	22	20	9,50	SNL 613 TG SNL 613 TA SNL 613 TS SNL 613 TND	SNL 516-613 SNL 516-613 SNL 516-613 SNL 516-613	TSN 613 G TSN 613 A TSN 613 S TSN 613 ND	ASNH 516-613 ASNH 516-613 ASNH 516-613 ASNH 516-613	
	65	115	80	156	80	30	230	280	24	18	16	7,00	SNL 515 TL SNL 515 TA SNL 515 TS SNL 515 TND	SNL 515-612 SNL 515-612 SNL 515-612 SNL 515-612	TSN 515 L TSN 515 A TSN 515 S TSN 515 ND	ASNH 515-612 ASNH 515-612 ASNH 515-612 ASNH 515-612
		140	100	194	100	35	290	345	28	22	20	12,5	SNL 615 TG SNL 615 TA SNL 615 TS SNL 615 TND	SNL 518-615 SNL 518-615 SNL 518-615 SNL 518-615	TSN 615 G TSN 615 A TSN 615 S TSN 615 ND	ASNH 518-615 ASNH 518-615 ASNH 518-615 ASNH 518-615
70	120	90	177	95	32	260	315	28	22	20	9,50	SNL 516 TL SNL 516 TA SNL 516 TS SNL 516 TND	SNL 516-613 SNL 516-613 SNL 516-613 SNL 516-613	TSN 516 L TSN 516 A TSN 516 S TSN 516 ND	ASNH 516-613 ASNH 516-613 ASNH 516-613 ASNH 516-613	
	145	100	212	112	35	290	345	28	22	20	13,7	SNL 616 TG SNL 616 TA SNL 616 TS SNL 616 TND	SNL 519-616 SNL 519-616 SNL 519-616 SNL 519-616	TSN 616 G TSN 616 A TSN 616 S TSN 616 ND	ASNH 519-616 ASNH 519-616 ASNH 519-616 ASNH 519-616	
75	125	90	183	95	32	260	320	28	22	20	10,0	SNL 517 TL SNL 517 TA SNL 517 TS SNL 517 TND	SNL 517 SNL 517 SNL 517 SNL 517	TSN 517 L TSN 517 A TSN 517 S TSN 517 ND	ASNH 517 ASNH 517 ASNH 517 ASNH 517	
	160	110	218	112	40	320	380	32	26	24	17,6	SNL 617 TG SNL 617 TA SNL 617 TS SNL 617 TND	SNL 520-617 SNL 520-617 SNL 520-617 SNL 520-617	TSN 617 G TSN 617 A TSN 617 S TSN 617 ND	ASNH 520-617 ASNH 520-617 ASNH 520-617 ASNH 520-617	

Plummer Blocks, 剖分式轴承座

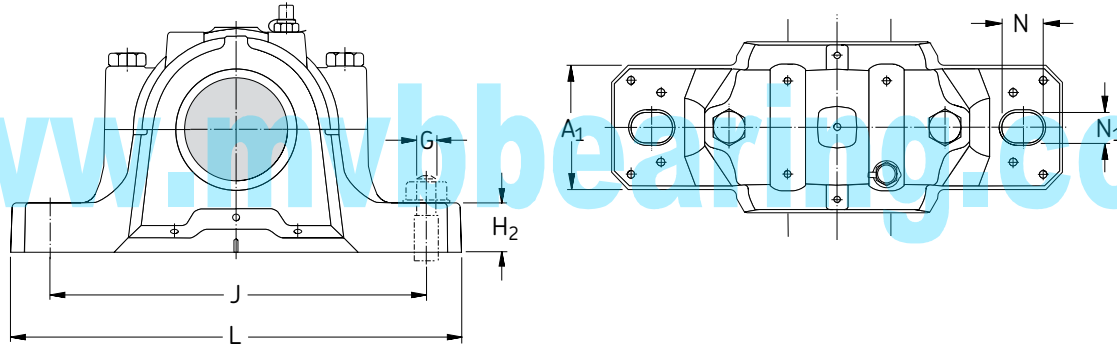
Split Bearing Housings, Split Pillow Block Housings



SNL500-600 Series

For Self-Aligning Ball Bearings or Spherical Roller Bearings with Adapter Sleeves

Stehlagergehäuse · Paliers à semelle en 2 parties · Soportes de rodamientos · Soportes de Pie · Soportes Bipartidos · CHUMACERAS
CHUMACEIRAS · Корпуса подшипников · Стационарные подшипниковые узлы · Supporti ritti in due metà



Shaft d_a	Bearing seating		Width across seal		Appropriate bearings and associated components					
	C_a	D_a	A_2	A_3	Self-aligning ball bearing Spherical roller bearing	Adapter sleeve	Locating rings 2 per housing	Self-aligning ball bearing Spherical roller bearing CARB bearing	Adapter sleeve	Locating rings 2 per housing
mm	mm	mm	mm	mm	-					
60	51	120	122	180	1213 EK -	H 213 -	FRB 14/120 -	2213 EK 22213 EK C 2213 K	H 313 H 313 H 313 E	FRB 10/120 FRB 10/120 FRB 10/120
	58	140	138	180	1313 EK 21313 EK	H 313 H 313	FRB 12.5/140 FRB 12.5/140	2313 K 22313 EK -	H 2313 H 2313	FRB 5/140 FRB 5/140
65	56	130	127	175	1215 K -	H 215 -	FRB 15.5/130 -	2215 EK 22215 EK C 2215 K	H 315 H 315 H 315 E	FRB 12.5/130 FRB 12.5/130 FRB 12.5/130
	65	160	158	200	1315 K 21315 EK	H 315 H 315	FRB 14/160 FRB 14/160	2315 K 22315 EK C 2315 K	H 2315 H 2315 H 2315	FRB 5/160 FRB 5/160 FRB 5/160
70	58	140	138	205	1216 K -	H 216 -	FRB 16/140 -	2216 EK 22216 EK C 2216 K	H 316 H 316 H 316 E	FRB 12.5/140 FRB 12.5/140 FRB 12.5/140
	68	170	163	205	1316 K 21316 EK	H 316 H 316	FRB 14.5/170 FRB 14.5/170	2316 K 22316 EK C 2316 K	H 2316 H 2316 H 2316	FRB 5/170 FRB 5/170 FRB 5/170
75	61	150	143	210	1217 K -	H 217 -	FRB 16.5/150 -	2217 K 22217 EK C 2217 K	H 317 H 317 H 317 E	FRB 12.5/150 FRB 12.5/150 FRB 12.5/150
	70	180	178	220	1317 K 21317 EK	H 317 H 317	FRB 14.5/180 FRB 14.5/180	2317 K 22317 EK C 2317 K	H 2317 H 2317 H 2317	FRB 5/180 FRB 5/180 FRB 5/180

Plummer Blocks, 剖分式轴承座

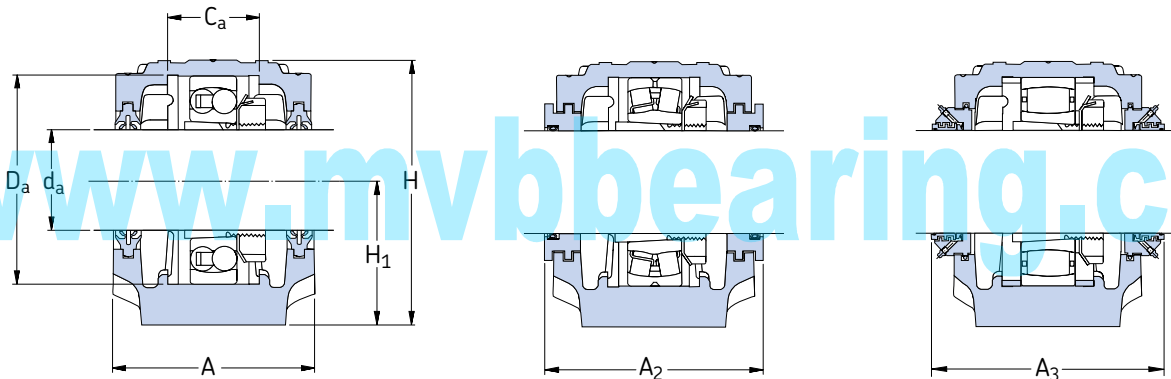
Split Bearing Housings, Split Pillow Block Housings



SNL500-600 Series

For Self-Aligning Ball Bearings or Spherical Roller Bearings with Adapter Sleeves

Stehlagergehäuse · Paliers à semelle en 2 parties · Soportes de rodamientos · Soportes de Pie · Soportes Bipartidos · CHUMACERAS
CHUMACEIRAS · Корпуса подшипников · Стационарные подшипниковые узлы · Supporti ritti in due metà



Four-lip seals
L design

Labyrinth seals
S design

Taconite seals
ND design

Shaft Dimensions	Housing Dimensions										Mass	Designations Housing complete with two seals	Components Housing only	Seals	End cover
	da	A	A ₁	H	H ₁	H ₂	J	L	N	N ₁					
mm	mm										kg	–			
80	140	100	194	100	35	290	345	28	22	20	12,5	SNL 518 TL	SNL 518-615	TSN 518 L	ASNH 518-615
												SNL 518 TA	SNL 518-615	TSN 518 A	ASNH 518-615
												SNL 518 TS	SNL 518-615	TSN 518 S	ASNH 518-615
												SNL 518 TND	SNL 518-615	TSN 518 ND	ASNH 518-615
85	145	100	212	112	35	290	345	28	22	20	13,7	SNL 519 TL	SNL 519-616	TSN 519 L	ASNH 519-616
												SNL 519 TA	SNL 519-616	TSN 519 A	ASNH 519-616
												SNL 519 TS	SNL 519-616	TSN 519 S	ASNH 519-616
												SNL 519 TND	SNL 519-616	TSN 519 ND	ASNH 519-616
	175	120	242	125	45	350	410	32	26	24	22,0	SNL 619 TG	SNL 522-619	TSN 619 G	ASNH 522-619
												SNL 619 TA	SNL 522-619	TSN 619 A	ASNH 522-619
												SNL 619 TS	SNL 522-619	TSN 619 S	ASNH 522-619
												SNL 619 TND	SNL 522-619	TSN 619 ND	ASNH 522-619
90	160	110	218	112	40	320	380	32	26	24	17,6	SNL 520 TL	SNL 520-617	TSN 520 L	ASNH 520-617
												SNL 520 TA	SNL 520-617	TSN 520 A	ASNH 520-617
												SNL 520 TS	SNL 520-617	TSN 520 S	ASNH 520-617
												SNL 520 TND	SNL 520-617	TSN 520 ND	ASNH 520-617
	185	120	271	140	45	350	410	32	26	24	26,2	SNL 620 TG	SNL 524-620	TSN 620 G	ASNH 524-620
												SNL 620 TA	SNL 524-620	TSN 620 A	ASNH 524-620
												SNL 620 TS	SNL 524-620	TSN 620 S	ASNH 524-620
												SNL 620 TND	SNL 524-620	TSN 620 ND	ASNH 524-620
100	175	120	242	125	45	350	410	32	26	24	22,0	SNL 522 TL	SNL 522-619	TSN 522 L	ASNH 522-619
												SNL 522 TA	SNL 522-619	TSN 522 A	ASNH 522-619
												SNL 522 TS	SNL 522-619	TSN 522 S	ASNH 522-619
												SNL 522 TND	SNL 522-619	TSN 522 ND	ASNH 522-619
110	185	120	271	140	45	350	410	32	26	24	26,2	SNL 524 TG	SNL 524-620	TSN 524 G	ASNH 524-620
												SNL 524 TA	SNL 524-620	TSN 524 A	ASNH 524-620
												SNL 524 TS	SNL 524-620	TSN 524 S	ASNH 524-620
												SNL 524 TND	SNL 524-620	TSN 524 ND	ASNH 524-620
115	190	130	290	150	50	380	445	35	28	24	33,0	SNL 526 TG	SNL 526	TSN 526 G	ASNH 526
												SNL 526 TA	SNL 526	TSN 526 A	ASNH 526
												SNL 526 TS	SNL 526	TSN 526 S	ASNH 526
												SNL 526 TND	SNL 526	TSN 526 ND	ASNH 526

Plummer Blocks, 剖分式轴承座

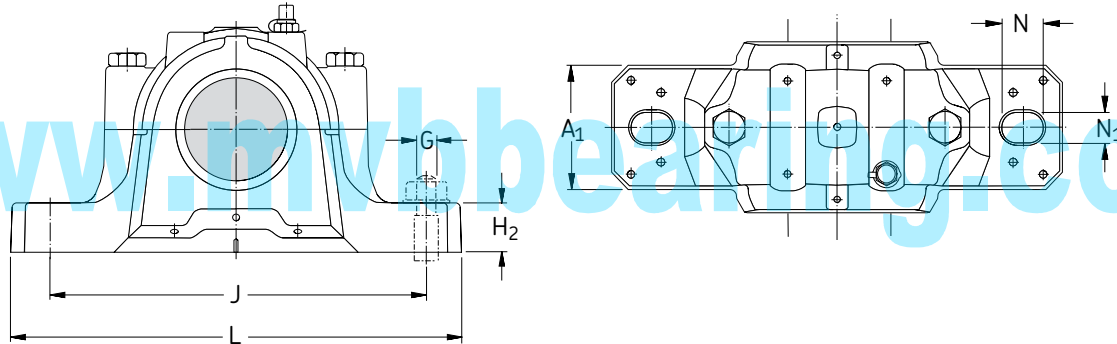
Split Bearing Housings, Split Pillow Block Housings

SNL500-600 Series

For Self-Aligning Ball Bearings or Spherical Roller Bearings with Adapter Sleeves



Stehlagergehäuse · Paliers à semelle en 2 parties · Soportes de rodamientos · Soportes de Pie · Soportes Bipartidos · CHUMACERAS
CHUMACEIRAS · Корпуса подшипников · Стационарные подшипниковые узлы · Supporti ritri in due metà



Shaft d_a	Bearing seating		Width across seal		Appropriate bearings and associated components					
	C_a	D_a	A_2	A_3	Self-aligning ball bearing Spherical roller bearing	Adapter sleeve	Locating rings 2 per housing	Self-aligning ball bearing Spherical roller bearing CARB bearing	Adapter sleeve	Locating rings 2 per housing
mm	mm	mm	mm	mm	-					
60	51	120	122	180	1213 EK -	H 213 -	FRB 14/120 -	2213 EK 22213 EK C 2213 K	H 313 H 313 H 313 E	FRB 10/120 FRB 10/120 FRB 10/120
	58	140	138	180	1313 EK 21313 EK	H 313 H 313	FRB 12.5/140 FRB 12.5/140	2313 K 22313 EK -	H 2313 H 2313	FRB 5/140 FRB 5/140
65	56	130	127	175	1215 K -	H 215 -	FRB 15.5/130 -	2215 EK 22215 EK C 2215 K	H 315 H 315 H 315 E	FRB 12.5/130 FRB 12.5/130 FRB 12.5/130
	65	160	158	200	1315 K 21315 EK	H 315 H 315	FRB 14/160 FRB 14/160	2315 K 22315 EK C 2315 K	H 2315 H 2315 H 2315	FRB 5/160 FRB 5/160 FRB 5/160
70	58	140	138	205	1216 K -	H 216 -	FRB 16/140 -	2216 EK 22216 EK C 2216 K	H 316 H 316 H 316 E	FRB 12.5/140 FRB 12.5/140 FRB 12.5/140
	68	170	163	205	1316 K 21316 EK	H 316 H 316	FRB 14.5/170 FRB 14.5/170	2316 K 22316 EK C 2316 K	H 2316 H 2316 H 2316	FRB 5/170 FRB 5/170 FRB 5/170
75	61	150	143	210	1217 K -	H 217 -	FRB 16.5/150 -	2217 K 22217 EK C 2217 K	H 317 H 317 H 317 E	FRB 12.5/150 FRB 12.5/150 FRB 12.5/150
	70	180	178	220	1317 K 21317 EK	H 317 H 317	FRB 14.5/180 FRB 14.5/180	2317 K 22317 EK C 2317 K	H 2317 H 2317 H 2317	FRB 5/180 FRB 5/180 FRB 5/180

Plummer Blocks, 剖分式轴承座

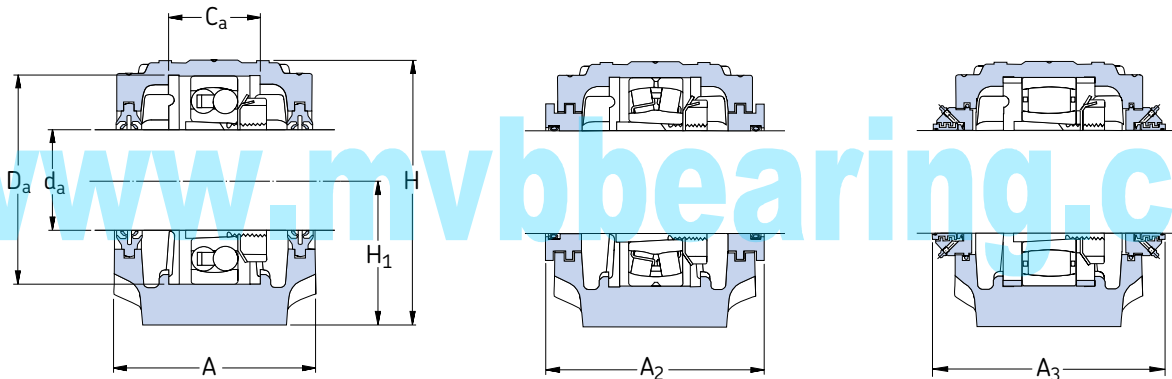
Split Bearing Housings, Split Pillow Block Housings



SNL500-600 Series

For Self-Aligning Ball Bearings or Spherical Roller Bearings with Adapter Sleeves

Stehlagergehäuse · Paliers à semelle en 2 parties · Soportes de rodamientos · Soportes de Pie · Soportes Bipartidos · CHUMACERAS
CHUMACEIRAS · Корпуса подшипников · Стационарные подшипниковые узлы · Supporti ritti in due metà



Four-lip seals
L design

Labyrinth seals
S design

Taconite seals
ND design

Shaft	Housing Dimensions										Mass	Designations Housing complete with two seals	Components		End cover
	d_a	A	A_1	H	H_1	H_2	J	L	N	N_1			G	Housing only	
mm	mm										kg	–			
125	205	150	302	150	50	420	500	42	35	30	40,0	SNL 528 TG	SNL 528	TSN 528 G	ASNH 528
												SNL 528 TA	SNL 528	TSN 528 A	ASNH 528
												SNL 528 TS	SNL 528	TSN 528 S	ASNH 528
												SNL 528 TND	SNL 528	TSN 528 ND	ASNH 528
135	220	160	323	160	60	450	530	42	35	30	49,0	SNL 530 TG	SNL 530	TSN 530 G	ASNH 530
												SNL 530 TA	SNL 530	TSN 530 A	ASNH 530
												SNL 530 TS	SNL 530	TSN 530 S	ASNH 530
												SNL 530 TND	SNL 530	TSN 530 ND	ASNH 530
140	235	160	344	170	60	470	550	42	35	30	55,0	SNL 532 TG	SNL 532	TSN 532 G	ASNH 532
												SNL 532 TA	SNL 532	TSN 532 A	ASNH 532
												SNL 532 TS	SNL 532	TSN 532 S	ASNH 532
												SNL 532 TND	SNL 532	TSN 532 ND	ASNH 532

Plummer Blocks, 剖分式轴承座

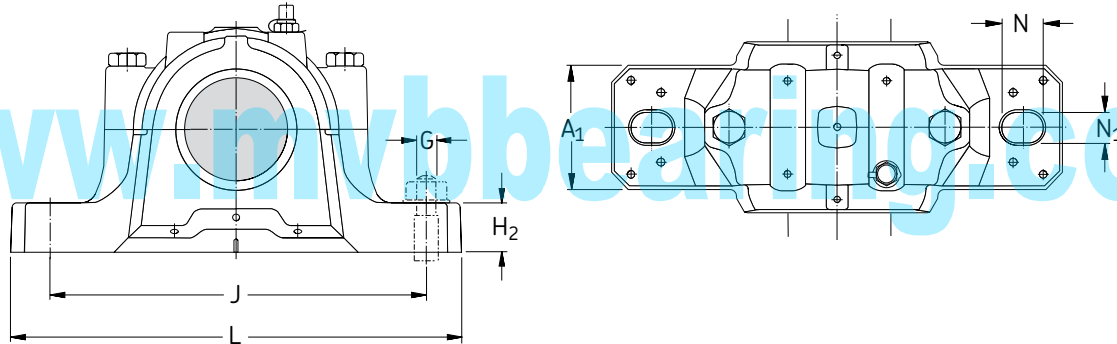
Split Bearing Housings, Split Pillow Block Housings



SNL500-600 Series

For Self-Aligning Ball Bearings or Spherical Roller Bearings with Adapter Sleeves

Stehlagergehäuse · Paliers à semelle en 2 parties · Soportes de rodamientos · Soportes de Pie · Soportes Bipartidos · CHUMACERAS
CHUMACEIRAS · Корпуса подшипников · Стационарные подшипниковые узлы · Supporti ritti in due metà



Shaft d_a	Bearing seating		Width across seal		Appropriate bearings and associated components					
	C_a	D_a	A_2	A_3	Spherical roller bearing	Adapter sleeve	Locating rings 2 per housing	Spherical roller bearing CARB bearing	Adapter sleeve	Locating rings 2 per housing
mm	mm	mm	mm	mm	-					
125	98	250	223	285	22228 CCK/W33	H 3128	FRB 15/250	23228 CCK/W33 C 2228 K	H 2328 H 3128 L	FRB 5/250 FRB 15/250
135	106	270	241	295	22230 CCK/W33	H 3130	FRB 16.5/270	23230 CCK/W33 C 2230 K	H 2330 H 3130 L	FRB 5/270 FRB 16.5/270
140	114	290	254	315	22232 CCK/W33	H 3132	FRB 17/290	23232 CCK/W33 C 3232 K	H 2332 H 2332 L	FRB 5/290 FRB 5/290