

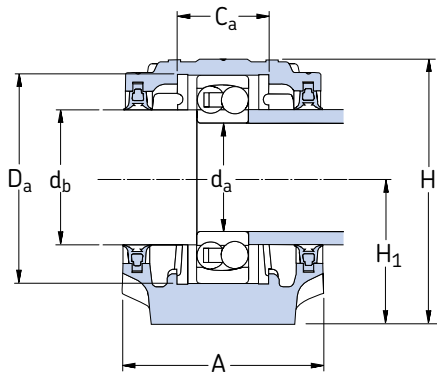
Plummer Blocks, 剖分式轴承座

Split Bearing Housings, Split Pillow Block Housings

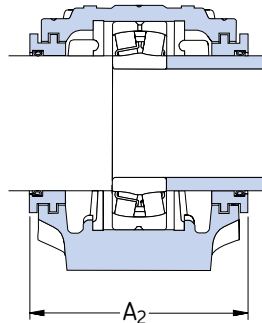


SNL200 SNL300 Series For Self-Aligning Ball Bearings or Spherical Roller Bearings with Adapter Sleeves

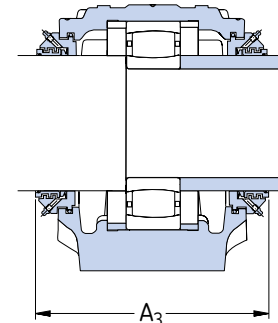
Stehlagergehäuse · Paliers à semelle en 2 parties · Soportes de rodamientos · Soportes de Pie · Soportes Bipartidos · CHUMACERAS
CHUMACEIRAS · Корпуса подшипников · Стационарные подшипниковые узлы · Supporti ritri in due metà



Double-lip seals
G design



Labyrinth seals
S design



Taconite seals
ND design

Shaft d _a	Housing Dimensions										Mass	Designations Housing complete with two seals	Components Housing only	Seals	End cover
	A	A ₁	H	H ₁	H ₂	J	L	N	N ₁	G					
mm	mm										kg	-			
25	67	46	74	40	19	130	165	20	15	12	1,40	SNL 205 TG SNL 205 TS SNL 205 TND	SNL 205 SNL 205	TSN 205 G TSN 205 S TSN 205 ND	ASNH 506-605 ASNH 506-605 ASNH 506-605
	77	52	89	50	22	150	185	20	15	12	1,90	SNL 305 TG SNL 305 TA SNL 305 TS SNL 305 TND	SNL 206-305 SNL 206-305 SNL 206-305 SNL 206-305	TSN 305 G TSN 305 A TSN 305 S TSN 305 ND	ASNH 507-606 ASNH 507-606 ASNH 507-606 ASNH 507-606
30	77	52	89	50	22	150	185	20	15	12	1,90	SNL 206 TG SNL 206 TA SNL 206 TS SNL 206 TND	SNL 206-305 SNL 206-305 SNL 206-305 SNL 206-305	TSN 206 G TSN 206 A TSN 206 S TSN 206 ND	ASNH 507-606 ASNH 507-606 ASNH 507-606 ASNH 507-606
	82	52	93	50	22	150	185	20	15	12	2,20	SNL 306 TG SNL 306 TA SNL 306 TS SNL 306 TND	SNL 507-606 SNL 507-606 SNL 507-606 SNL 507-606	TSN 306 G TSN 306 A TSN 306 S TSN 306 ND	ASNH 507-606 ASNH 507-606 ASNH 507-606 ASNH 507-606
35	82	52	93	50	22	150	185	20	15	12	2,10	SNL 207 TG SNL 207 TA SNL 207 TS SNL 207 TND	SNL 207 SNL 207 SNL 207 SNL 207	TSN 207 G TSN 207 A TSN 207 S TSN 207 ND	ASNH 509 ASNH 509 ASNH 509 ASNH 509
	85	60	108	60	25	170	205	20	15	12	2,75	SNL 307 TG SNL 307 TA SNL 307 TS SNL 307 TND	SNL 208-307 SNL 208-307 SNL 208-307 SNL 208-307	TSN 307 G TSN 307 A TSN 307 S TSN 307 ND	ASNH 510-608 ASNH 510-608 ASNH 510-608 ASNH 510-608
40	85	60	108	60	25	170	205	20	15	12	2,75	SNL 208 TG SNL 208 TA SNL 208 TS SNL 208 TND	SNL 208-307 SNL 208-307 SNL 208-307 SNL 208-307	TSN 208 G TSN 208 A TSN 208 S TSN 208 ND	ASNH 510-608 ASNH 510-608 ASNH 510-608 ASNH 510-608
	90	60	113	60	25	170	205	20	15	12	3,20	SNL 308 TG SNL 308 TA SNL 308 TS SNL 308 TND	SNL 510-608 SNL 510-608 SNL 510-608 SNL 510-608	TSN 308 G TSN 308 A TSN 308 S TSN 308 ND	ASNH 510-608 ASNH 510-608 ASNH 510-608 ASNH 510-608

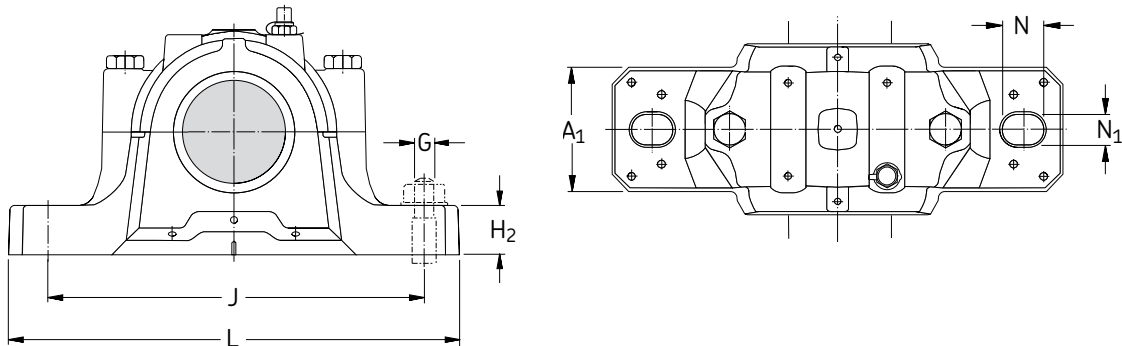
Plummer Blocks, 剖分式轴承座

Split Bearing Housings, Split Pillow Block Housings



SNL200 SNL300 Series For Self-Aligning Ball Bearings or Spherical Roller Bearings with Adapter Sleeves

Stehlagergehäuse · Paliers à semelle en 2 parties · Soportes de rodamientos · Soportes de Pie · Soportes Bipartidos · CHUMACERAS
CHUMACEIRAS · Корпуса подшипников · Стационарные подшипниковые узлы · Supporti ritri in due metà



Shaft		Bearing seating		Width across seal		Appropriate bearings and locating rings			
d_a	d_b	C_a	D_a	A_2	A_3	Self-aligning ball bearing	Locating rings 2 per housing	Self-aligning ball bearing	Locating rings 2 per housing
						Spherical roller bearing		Spherical roller bearing	
mm		mm		mm				CARB bearing	
25	30	25	52	90	140	1205 E -	FRB 5/52 -	2205 E 22205 E C 2205	FRB 3.5/52 FRB 3.5/52 FRB 3.5/52
	30	32	62	89	140	1305 E 21305 CC	FRB 7.5/62 FRB 7.5/62	2305 -	FRB 4/62 -
30	35	32	62	89	150	1206 E -	FRB 8/62 -	2206 E 22206 E C 2206	FRB 6/62 FRB 6/62 FRB 6/62
	35	34	72	94	155	1306 E 21306 CC	FRB 7.5/72 FRB 7.5/72	2306 -	FRB 3.5/72 -
35	45	34	72	96	160	1207 E -	FRB 8.5/72 -	2207 E 22207 E C 2207	FRB 5.5/72 FRB 5.5/72 FRB 5.5/72
	45	39	80	99	145	1307 E 21307 CC	FRB 9/80 FRB 9/80	2307 E -	FRB 4/80 -
40	50	39	80	99	160	1208 E -	FRB 10.5/80 -	2208 E 22208 E C 2208	FRB 8/80 FRB 8/80 FRB 8/80
	50	41	90	102	167	1308 E 21308 E	FRB 9/90 FRB 9/90	2308 E 22308 E -	FRB 4/90 FRB 4/90 -

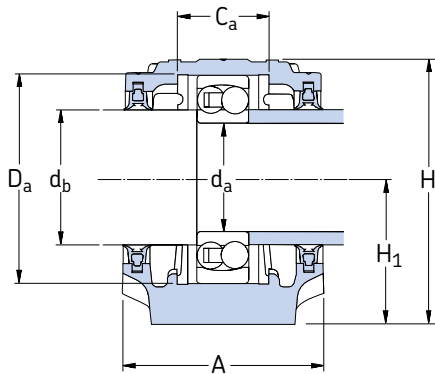
Plummer Blocks, 剖分式轴承座

Split Bearing Housings, Split Pillow Block Housings

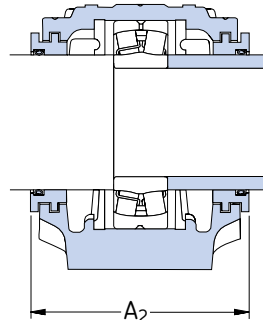


SNL200 SNL300 Series For Self-Aligning Ball Bearings or Spherical Roller Bearings with Adapter Sleeves

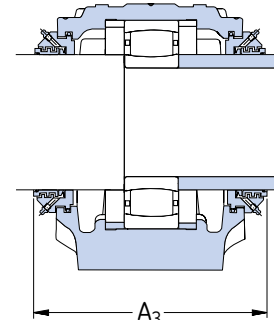
Stehlagergehäuse · Paliers à semelle en 2 parties · Soportes de rodamientos · Soportes de Pie · Soportes Bipartidos · CHUMACERAS
CHUMACEIRAS · Корпуса подшипников · Стационарные подшипниковые узлы · Supporti ritri in due metà



Double-lip seals
G design



Labyrinth seals
S design



Taconite seals
ND design

Shaft d _a	Housing Dimensions										Mass	Designations Housing complete with two seals	Components Housing only	Seals	End cover
	A	A ₁	H	H ₁	H ₂	J	L	N	N ₁	G					
mm	mm										kg	-			
45	85	60	109	60	25	170	205	20	15	12	2,75	SNL 209 TG	SNL 209	TSN 209 G	ASNH 511-609
			128	70	28	210	255	24	18	16		SNL 209 TA	SNL 209	TSN 209 A	ASNH 511-609
			134	70	30	210	255	24	18	16		SNL 209 TS	SNL 209	TSN 209 S	ASNH 511-609
			140	70	30	210	255	24	18	16		SNL 209 TND	SNL 209	TSN 209 ND	ASNH 511-609
50	95	70	128	70	28	210	255	24	18	16	4,40	SNL 309 TG	SNL 511-609	TSN 309 G	ASNH 511-609
			134	70	30	210	255	24	18	16		SNL 309 TA	SNL 511-609	TSN 309 A	ASNH 511-609
			140	70	30	210	255	24	18	16		SNL 309 TS	SNL 511-609	TSN 309 S	ASNH 511-609
			146	70	30	210	255	24	18	16		SNL 309 TND	SNL 511-609	TSN 309 ND	ASNH 511-609
55	95	70	128	70	28	210	255	24	18	16	4,20	SNL 211 TG	SNL 211	TSN 211 G	ASNH 513-611
			134	70	30	210	255	24	18	16		SNL 211 TA	SNL 211	TSN 211 A	ASNH 513-611
			140	70	30	210	255	24	18	16		SNL 211 TS	SNL 211	TSN 211 S	ASNH 513-611
			146	70	30	210	255	24	18	16		SNL 211 TND	SNL 211	TSN 211 ND	ASNH 513-611
60	105	70	134	70	30	210	255	24	18	16	4,75	SNL 311 TG	SNL 513-611	TSN 311 G	ASNH 513-611
			140	70	30	210	255	24	18	16		SNL 311 TA	SNL 513-611	TSN 311 A	ASNH 513-611
			146	70	30	210	255	24	18	16		SNL 311 TS	SNL 513-611	TSN 311 S	ASNH 513-611
			152	70	30	210	255	24	18	16		SNL 311 TND	SNL 513-611	TSN 311 ND	ASNH 513-611
60	105	70	134	70	30	210	255	24	18	16	4,75	SNL 212 TG	SNL 212	TSN 212 G	ASNH 515-612
			140	70	30	210	255	24	18	16		SNL 212 TA	SNL 212	TSN 212 A	ASNH 515-612
			146	70	30	210	255	24	18	16		SNL 212 TS	SNL 212	TSN 212 S	ASNH 515-612
			152	70	30	210	255	24	18	16		SNL 212 TND	SNL 212	TSN 212 ND	ASNH 515-612
60	115	80	156	80	30	230	280	24	18	16	7,00	SNL 312 TG	SNL 515-612	TSN 312 G	ASNH 515-612
			162	80	30	230	280	24	18	16		SNL 312 TA	SNL 515-612	TSN 312 A	ASNH 515-612
			168	80	30	230	280	24	18	16		SNL 312 TS	SNL 515-612	TSN 312 S	ASNH 515-612
			174	80	30	230	280	24	18	16		SNL 312 TND	SNL 515-612	TSN 312 ND	ASNH 515-612

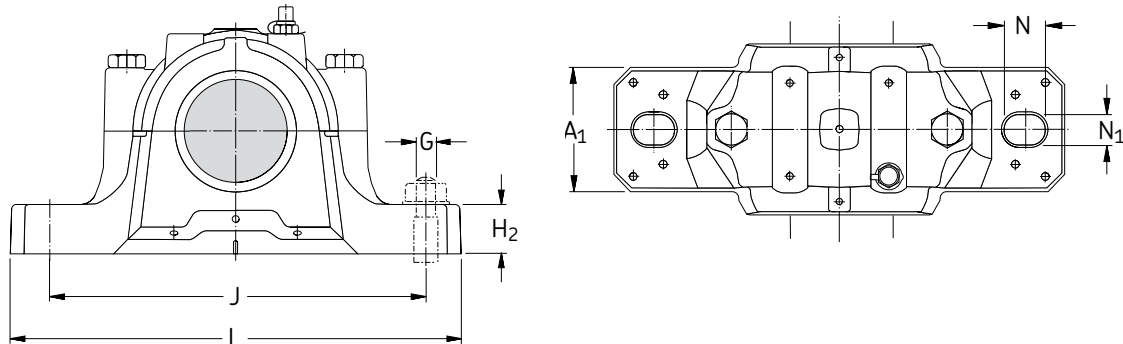
Plummer Blocks, 剖分式轴承座

Split Bearing Housings, Split Pillow Block Housings



SNL200 SNL300 Series For Self-Aligning Ball Bearings or Spherical Roller Bearings with Adapter Sleeves

Stehlagergehäuse · Paliers à semelle en 2 parties · Soportes de rodamientos · Soportes de Pie · Soportes Bipartidos · CHUMACERAS
CHUMACEIRAS · Корпуса подшипников · Стационарные подшипниковые узлы · Supporti ritti in due metà



Shaft		Bearing seating		Width across seal		Appropriate bearings and locating rings			
d _a	d _b	C _a	D _a	A ₂	A ₃	Self-aligning ball bearing	Locating rings 2 per housing	Self-aligning ball bearing Spherical roller bearing CARB bearing	Locating rings 2 per housing
mm		mm		mm		-			
45	55	30	85	97	160	1209 E -	FRB 5.5/85 -	2209 E 22209 E C 2209	FRB 3.5/85 FRB 3.5/85 FRB 3.5/85
	55	44	100	107	172	1309 E 21309 E	FRB 9.5/100 FRB 9.5/100	2309 E 22309 E -	FRB 4/100 FRB 4/100 -
50	60	41	90	102	165	1210 E -	FRB 10.5/90 -	2210 E 22210 E C 2210	FRB 9/90 FRB 9/90 FRB 9/90
	60	48	110	117	180	1310 E 21310 E	FRB 10.5/110 FRB 10.5/110	2310 22310 E -	FRB 4/110 FRB 4/110 -
55	65	44	100	107	170	1211 E -	FRB 11.5/100 -	2211 E 22211 E C 2211	FRB 9.5/100 FRB 9.5/100 FRB 9.5/100
	65	51	120	122	185	1311 E 21311 E	FRB 11/120 FRB 11/120	2311 22311 E -	FRB 4/120 FRB 4/120 -
60	70	48	110	117	185	1212 E -	FRB 13/110 -	2212 E 22212 E C 2212	FRB 10/110 FRB 10/110 FRB 10/110
	70	56	130	127	197	1312 21312 E	FRB 12.5/130 FRB 12.5/130	2312 22312 E -	FRB 5/130 FRB 5/130 -

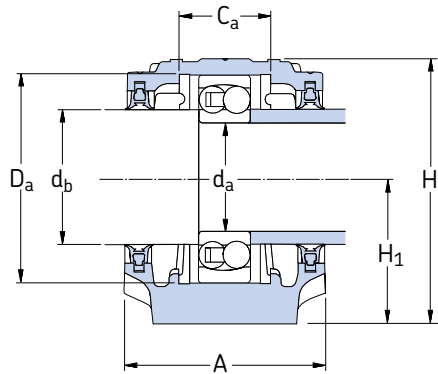
Plummer Blocks,剖分式轴承座

Split Bearing Housings, Split Pillow Block Housings

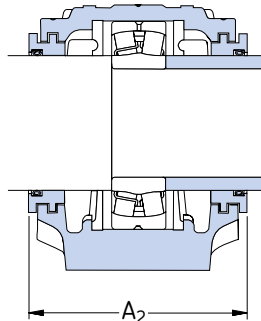


SNL200 SNL300 Series For Self-Aligning Ball Bearings or Spherical Roller Bearings with Adapter Sleeves

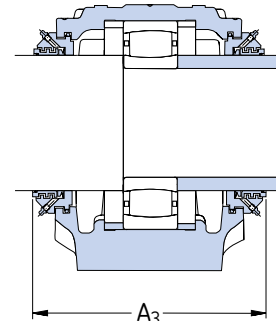
Stehlagergehäuse · Paliers à semelle en 2 parties · Soportes de rodamientos · Soportes de Pie · Soportes Bipartidos · CHUMACERAS
CHUMACEIRAS · Корпуса подшипников · Стационарные подшипниковые узлы · Supporti ritti in due metà



Double-lip seals
G design



Labyrinth seals
S design



Taconite seals
ND design

Shaft d _a	Housing Dimensions										Mass	Designations Housing complete with two seals	Components Housing only	Seals	End cover	
	A	A ₁	H	H ₁	H ₂	J	L	N	N ₁	G						
mm	mm										kg	–				
65	110	80	149	80	30	230	275	24	18	16	6,10	SNL 213 TG	SNL 213	TSN 213 G	ASNH 516-613	
													SNL 213 TA	SNL 213	TSN 213 A	ASNH 516-613
													SNL 213 TS	SNL 213	TSN 213 S	ASNH 516-613
													SNL 213 TND	SNL 213	TSN 213 ND	ASNH 516-613
	120	90	177	95	32	260	315	28	22	20	9,50	SNL 313 TG	SNL 516-613	TSN 313 G	ASNH 516-613	
													SNL 313 TA	SNL 516-613	TSN 313 A	ASNH 516-613
													SNL 313 TS	SNL 516-613	TSN 313 S	ASNH 516-613
													SNL 313 TND	SNL 516-613	TSN 313 ND	ASNH 516-613
70	125	90	183	95	32	260	320	28	22	20	10,0	SNL 314 TG	SNL 517	TSN 314 G	ASNH 517	
													SNL 314 TA	SNL 517	TSN 314 A	ASNH 517
													SNL 314 TS	SNL 517	TSN 314 S	ASNH 517
													SNL 314 TND	SNL 517	TSN 314 ND	ASNH 517
75	115	80	155	80	30	230	280	24	18	16	6,60	SNL 215 TG	SNL 215	TSN 215 G	ASNH 518-615	
													SNL 215 TA	SNL 215	TSN 215 A	ASNH 518-615
													SNL 215 TS	SNL 215	TSN 215 S	ASNH 518-615
													SNL 215 TND	SNL 215	TSN 215 ND	ASNH 518-615
	140	100	194	100	35	290	345	28	22	20	12,5	SNL 315 TG	SNL 518-615	TSN 315 G	ASNH 518-615	
													SNL 315 TA	SNL 518-615	TSN 315 A	ASNH 518-615
													SNL 315 TS	SNL 518-615	TSN 315 S	ASNH 518-615
													SNL 315 TND	SNL 518-615	TSN 315 ND	ASNH 518-615
80	120	90	177	95	32	260	315	28	22	20	9,00	SNL 216 TG	SNL 216	TSN 216 G	ASNH 216	
													SNL 216 TA	SNL 216	TSN 216 A	ASNH 216
													SNL 216 TS	SNL 216	TSN 216 S	ASNH 216
													SNL 216 TND	SNL 216	TSN 216 ND	ASNH 216
	145	100	212	112	35	290	345	28	22	20	13,7	SNL 316 TG	SNL 519-616	TSN 316 G	ASNH 519-616	
													SNL 316 TA	SNL 519-616	TSN 316 A	ASNH 519-616
													SNL 316 TS	SNL 519-616	TSN 316 S	ASNH 519-616
													SNL 316 TND	SNL 519-616	TSN 316 ND	ASNH 519-616

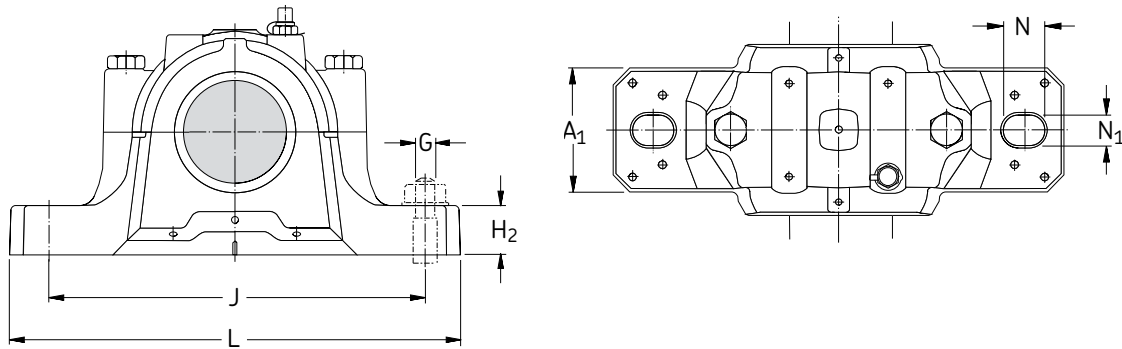
Plummer Blocks, 剖分式轴承座

Split Bearing Housings, Split Pillow Block Housings



SNL200 SNL300 Series For Self-Aligning Ball Bearings or Spherical Roller Bearings with Adapter Sleeves

Stehlagergehäuse · Paliers à semelle en 2 parties · Soportes de rodamientos · Soportes de Pie · Soportes Bipartidos · CHUMACERAS
CHUMACEIRAS · Корпуса подшипников · Стационарные подшипниковые узлы · Supporti ritri in due metà



Shaft		Bearing seating		Width across seal		Appropriate bearings and locating rings			
d_a	d_b	C_a	D_a	A_2	A_3	Self-aligning ball bearing	Locating rings 2 per housing	Self-aligning ball bearing Spherical roller bearing CARB bearing	Locating rings 2 per housing
mm	mm	mm	mm	mm	mm	–	–	–	–
65	75	51	120	128	190	1213 E –	FRB 14/120 –	2213 E 22213 E C 2213	FRB 10/120 FRB 10/120 FRB 10/120
	75	58	140	138	200	1313 E 21313 E	FRB 12.5/140 FRB 12.5/140	2313 22313 E –	FRB 5/140 FRB 5/140 –
70	80	61	150	143	205	1314 21314 E	FRB 13/150 FRB 13/150	2314 22314 E C 2314	FRB 5/150 FRB 5/150 FRB 5/150
75	85	56	130	133	195	1215 –	FRB 15.5/130 –	2215 E 22215 E C 2215	FRB 12.5/130 FRB 12.5/130 FRB 12.5/130
	85	65	160	158	220	1315 21315 E	FRB 14/160 FRB 14/160	2315 22315 E C 2315	FRB 5/160 FRB 5/160 FRB 5/160
80	90	58	140	138	200	1216 –	FRB 16/140 –	2216 E 22216 E C 2216	FRB 12.5/140 FRB 12.5/140 FRB 12.5/140
	90	68	170	163	218	1316 21316 E	FRB 14.5/170 FRB 14.5/170	2316 22316 E C 2316	FRB 5/170 FRB 5/170 FRB 5/170

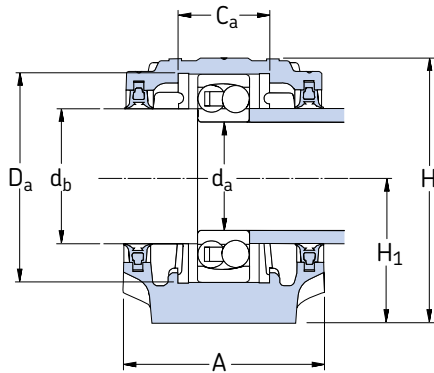
Plummer Blocks, 剖分式轴承座

Split Bearing Housings, Split Pillow Block Housings

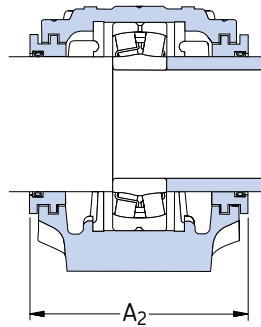


SNL200 SNL300 Series For Self-Aligning Ball Bearings or Spherical Roller Bearings with Adapter Sleeves

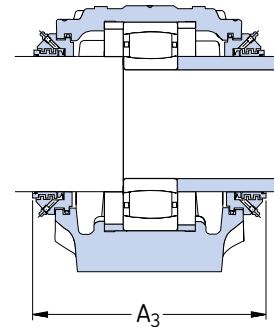
Stehlagergehäuse · Paliers à semelle en 2 parties · Soportes de rodamientos · Soportes de Pie · Soportes Bipartidos · CHUMACERAS
CHUMACEIRAS · Корпуса подшипников · Стационарные подшипниковые узлы · Supporti ritri in due metà



Double-lip seals
G design



Labyrinth seals
S design



Taconite seals
ND design

Shaft d _a	Housing Dimensions										Mass	Designations Housing complete with two seals	Components Housing only	Seals	End cover
	A	A ₁	H	H ₁	H ₂	J	L	N	N ₁	G					
mm	mm										kg	-			
85	125	90	183	95	32	260	320	28	22	20	9,50	SNL 217 TG SNL 217 TA SNL 217 TS SNL 217 TND	SNL 217 SNL 217 SNL 217 SNL 217	TSN 217 G TSN 217 A TSN 217 S TSN 217 ND	ASNH 217 ASNH 217 ASNH 217 ASNH 217
	160	110	218	112	40	320	380	32	26	24	17,6	SNL 317 TG SNL 317 TA SNL 317 TS SNL 317 TND	SNL 520-617 SNL 520-617 SNL 520-617 SNL 520-617	TSN 317 G TSN 317 A TSN 317 S TSN 317 ND	ASNH 520-617 ASNH 520-617 ASNH 520-617 ASNH 520-617
	140	100	194	100	35	290	345	28	22	20	11,8	SNL 218 TG SNL 218 TA SNL 218 TS SNL 218 TND	SNL 218 SNL 218 SNL 218 SNL 218	TSN 218 G TSN 218 A TSN 218 S TSN 218 ND	ASNH 218 ASNH 218 ASNH 218 ASNH 218
	175	120	242	125	45	350	410	32	26	24	22,0	SNL 319 TA SNL 319 TS SNL 319 TND	SNL 522-619 SNL 522-619 SNL 522-619	TSN 319 A TSN 319 S TSN 319 ND	ASNH 522-619 ASNH 522-619 ASNH 522-619
100	160	110	218	112	40	320	380	32	26	24	17,6	SNL 220 TG SNL 220 TA SNL 220 TS SNL 220 TND	SNL 520-617 SNL 520-617 SNL 520-617 SNL 520-617	TSN 220 G TSN 220 A TSN 220 S TSN 220 ND	ASNH 520-617 ASNH 520-617 ASNH 520-617 ASNH 520-617
	185	120	271	140	45	350	410	32	26	24	26,2	SNL 320 TA SNL 320 TS SNL 320 TND	SNL 524-620 SNL 524-620 SNL 524-620	TSN 320 A TSN 320 S TSN 320 ND	ASNH 524-620 ASNH 524-620 ASNH 524-620
110	175	120	242	125	45	350	410	32	26	24	22,0	SNL 222 TG SNL 222 TA SNL 222 TS SNL 222 TND	SNL 522-619 SNL 522-619 SNL 522-619 SNL 522-619	TSN 222 G TSN 222 A TSN 222 S TSN 222 ND	ASNH 522-619 ASNH 522-619 ASNH 522-619 ASNH 522-619
	185	120	271	140	45	350	410	32	26	24	26,2	SNL 224 TG SNL 224 TA SNL 224 TS SNL 224 TND	SNL 524-620 SNL 524-620 SNL 524-620 SNL 524-620	TSN 224 G TSN 224 A TSN 224 S TSN 224 ND	ASNH 524-620 ASNH 524-620 ASNH 524-620 ASNH 524-620
	175	120	242	125	45	350	410	32	26	24	22,0	SNL 222 TG SNL 222 TA SNL 222 TS SNL 222 TND	SNL 522-619 SNL 522-619 SNL 522-619 SNL 522-619	TSN 222 G TSN 222 A TSN 222 S TSN 222 ND	ASNH 522-619 ASNH 522-619 ASNH 522-619 ASNH 522-619
	185	120	271	140	45	350	410	32	26	24	26,2	SNL 224 TG SNL 224 TA SNL 224 TS SNL 224 TND	SNL 524-620 SNL 524-620 SNL 524-620 SNL 524-620	TSN 224 G TSN 224 A TSN 224 S TSN 224 ND	ASNH 524-620 ASNH 524-620 ASNH 524-620 ASNH 524-620

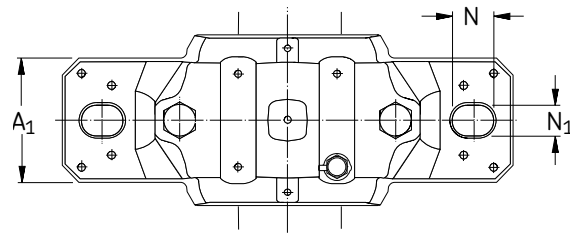
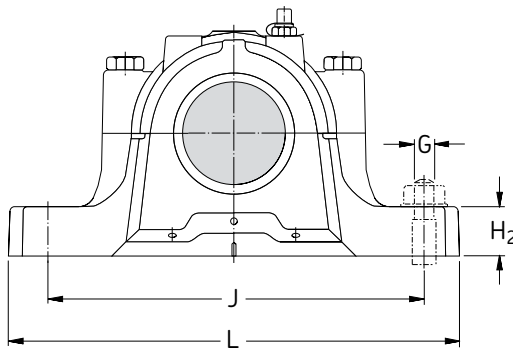
Plummer Blocks, 剖分式轴承座

Split Bearing Housings, Split Pillow Block Housings



SNL200 SNL300 Series For Self-Aligning Ball Bearings or Spherical Roller Bearings with Adapter Sleeves

Stehlagergehäuse · Paliers à semelle en 2 parties · Soportes de rodamientos · Soportes de Pie · Soportes Bipartidos · CHUMACERAS
CHUMACEIRAS · Корпуса подшипников · Стационарные подшипниковые узлы · Supporti ritti in due metà



Shaft		Bearing seating		Width across seal		Appropriate bearings and locating rings			
d_a	d_b	C_a	D_a	A_2	A_3	Self-aligning ball bearing	Locating rings 2 per housing	Self-aligning ball bearing Spherical roller bearing CARB bearing	Locating rings 2 per housing
mm	mm	mm	mm	mm	mm	—	—	—	—
85	95	61	150	143	205	1217 —	FRB 16.5/150 —	2217 22217 E C 2217	FRB 12.5/150 FRB 12.5/150 FRB 12.5/150
	95	70	180	178	238	1317 21317 E	FRB 14.5/180 FRB 14.5/180	2317 22317 E C 2317	FRB 5/180 FRB 5/180 FRB 5/180
90	100	65	160	158	220	1218 22218 E	FRB 17.5/160 FRB 12.5/160	2218 23218 CC/W33 C 2218	FRB 12.5/160 FRB 6.25/160 FRB 12.5/160
95	110	80	200	191	253	1319 21319 E	FRB 17.5/200 FRB 17.5/200	2319 22319 E —	FRB 6.5/200 FRB 6.5/200 —
100	115	70	180	178	245	1220 22220 E	FRB 18/180 FRB 12/180	2220 23220 CC/W33 C 2220	FRB 12/180 FRB 4.85/180 FRB 12/180
	115	86	215	199	260	1320 21320 E	FRB 19.5/215 FRB 19.5/215	2320 22320 E C 2320	FRB 6.5/215 FRB 6.5/215 FRB 6.5/215
110	125	80	200	191	255	1222 22222 E	FRB 21/200 FRB 13.5/200	2222 23222 CC/W33 C 2222	FRB 13.5/200 FRB 5.1/200 FRB 13.5/200
120	135	86	215	199	270	1224 22224 E	FRB 22/215 FRB 14/215	— 23224 CC/W33 C 3224	— FRB 5/215 FRB 5/215

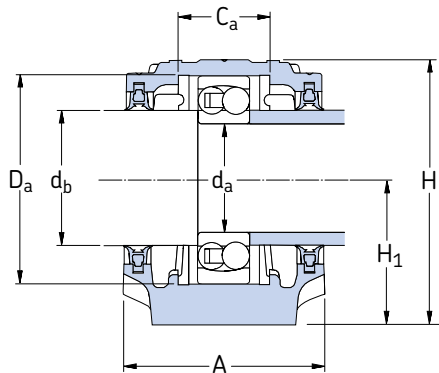
Plummer Blocks, 剖分式轴承座

Split Bearing Housings, Split Pillow Block Housings

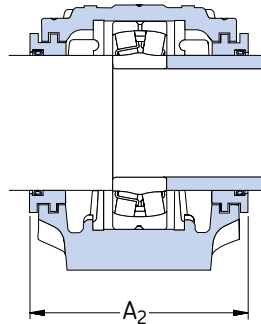


SNL200 SNL300 Series For Self-Aligning Ball Bearings or Spherical Roller Bearings with Adapter Sleeves

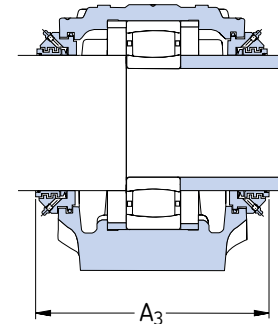
Stehlagergehäuse · Paliers à semelle en 2 parties · Soportes de rodamientos · Soportes de Pie · Soportes Bipartidos · CHUMACERAS
CHUMACEIRAS · Корпуса подшипников · Стационарные подшипниковые узлы · Supporti ritti in due metà



Double-lip seals
G design



Labyrinth seals
S design



Taconite seals
ND design

Shaft Dimensions	Housing Dimensions										Mass	Designations Housing complete with two seals	Components Housing only	Seals	End cover
	da	A	A ₁	H	H ₁	H ₂	J	L	N	N ₁					
mm	mm										kg	–			
130	190	130	290	150	50	380	445	35	28	24	33,0	SNL 226 TG	SNL 526	TSN 226 G	ASNH 526
												SNL 226 TA	SNL 526	TSN 226 A	ASNH 526
												SNL 226 TS	SNL 526	TSN 226 S	ASNH 526
												SNL 226 TND	SNL 526	TSN 226 ND	ASNH 526
140	205	150	302	150	50	420	500	42	35	30	40,0	SNL 228 TG	SNL 528	TSN 228 G	ASNH 528
												SNL 228 TA	SNL 528	TSN 228 A	ASNH 528
												SNL 228 TS	SNL 528	TSN 228 S	ASNH 528
												SNL 228 TND	SNL 528	TSN 228 ND	ASNH 528
150	220	160	323	160	60	450	530	42	35	30	49,0	SNL 230 TG	SNL 530	TSN 230 G	ASNH 530
												SNL 230 TA	SNL 530	TSN 230 A	ASNH 530
												SNL 230 TS	SNL 530	TSN 230 S	ASNH 530
												SNL 230 TND	SNL 530	TSN 230 ND	ASNH 530
160	235	160	344	170	60	470	550	42	35	30	55,0	SNL 232 TG	SNL 532	TSN 232 G	ASNH 532
												SNL 232 TA	SNL 532	TSN 232 A	ASNH 532
												SNL 232 TS	SNL 532	TSN 232 S	ASNH 532
												SNL 232 TND	SNL 532	TSN 232 ND	ASNH 532

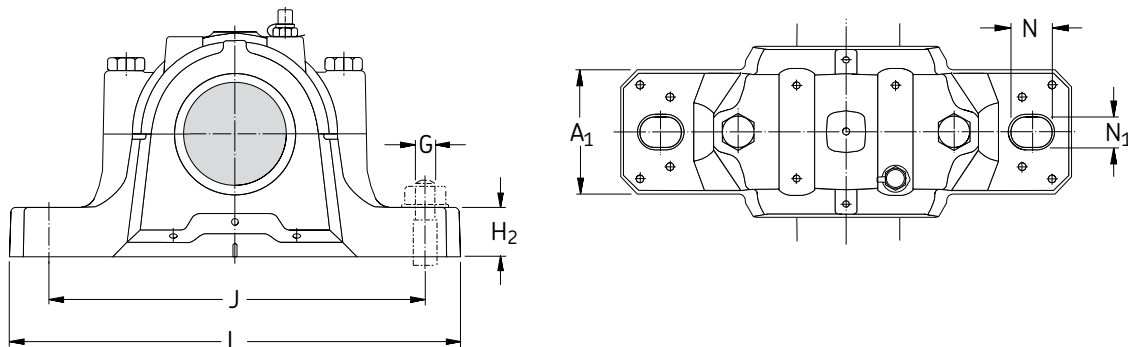
Plummer Blocks, 剖分式轴承座

Split Bearing Housings, Split Pillow Block Housings



SNL200 SNL300 Series For Self-Aligning Ball Bearings or Spherical Roller Bearings with Adapter Sleeves

Stehlagergehäuse · Paliers à semelle en 2 parties · Soportes de rodamientos · Soportes de Pie · Soportes Bipartidos · CHUMACERAS
CHUMACEIRAS · Корпуса подшипников · Стационарные подшипниковые узлы · Supporti ritti in due metà



Shaft		Bearing seating		Width across seal		Appropriate bearings and locating rings			
d_a	d_b	C_a	D_a	A_2	A_3	Self-aligning ball bearing	Locating rings 2 per housing	Spherical roller bearing CARB bearing	Locating rings 2 per housing
mm	mm	mm	mm	mm	mm	–	–	–	–
130	145	90	230	208	275	1226 22226 E	FRB 22/230 FRB 13/230	23226 CC/W33 C 2226	FRB 5/230 FRB 13/230
140	155	98	250	223	290	– 22228 CC/W33	– FRB 15/250	23228 CC/W33 C 2228	FRB 5/250 FRB 15/250
150	165	106	270	241	310	– 22230 CC/W33	– FRB 16.5/270	23230 CC/W33 C 2230	FRB 5/270 FRB 16.5/270
160	175	114	290	254	325	– 22232 CC/W33	– FRB 17/290	23232 CC/W33 C 3232	FRB 5/290 FRB 5/290