

# Plummer Blocks, 剖分式轴承座

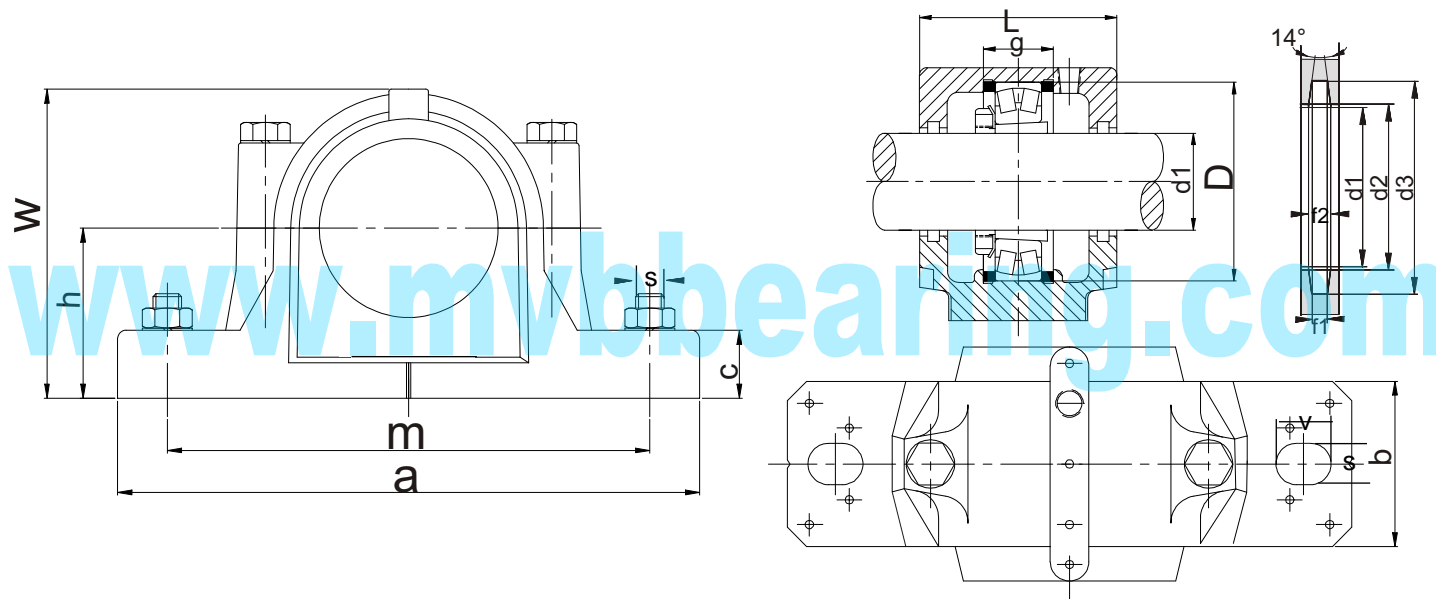
## Split Bearing Housings, Split Pillow Block Housings



### SNK500-600 Series

For Self-Aligning Ball Bearings or Spherical Roller Bearings with Adapter Sleeves

Stehlagergehäuse · Paliers à semelle en 2 parties · Soportes de rodamientos · Soportes de Pie · Soportes Bipartidos · CHUMACERAS  
CHUMACEIRAS · Корпуса подшипников · Стационарные подшипниковые узлы · Supporti ritri in due metà



HOUSING No.	L	b	f1	g	D	d2	d3	W	h	c	m	a	v	u	s	WEIGHT (kg)
SNK505	67	46	5	25	52	31.5	39.5	72	40	19	130	165	20	13	10	1.50
SNK506-605	77	52	5	32	62	36.5	44.5	87	50	22	150	185	22	13	10	2.00
SNK507-606	82	52	5	34	72	46.5	54.5	92	50	22	150	185	20	13	10	2.32
SNK508-607	85	60	5	39	80	51.5	59.5	106	60	25	170	205	20	15	12	2.90
SNK509	85	60	5	30	85	56.5	64.5	108	60	25	170	205	20	15	12	3.10
SNK510-608	90	60	5	41	90	62	70.5	112	60	25	170	205	20	15	12	3.31
SNK511-609	95	70	5	44	100	67	75.5	126	70	28	210	255	23	18	16	4.54
SNK512-610	105	70	5	48	110	72	80.5	132	70	30	210	255	23	18	16	5.47
SNK513-611	110	80	5	51	120	77	85.5	147	80	30	230	275	24	18	16	6.60
SNK515-612	115	80	5	56	130	87	95.5	153	80	30	230	280	26	18	16	7.30
SNK516-613	120	90	5	58	140	92.5	101	174	95	32	260	315	29	22	20	9.95
SNK517	125	90	5	61	150	97.5	106	180	95	32	260	320	30	22	20	10.82
SNK518-615	140	100	5	65	160	105	111	190	100	35	290	345	27	22	20	13.30
SNK519-616	145	100	6	68	170	131	141	208.5	112	35	290	345	27	22	20	15.00
SNK520-617	160	110	6	70	180	137.5	147.5	214.5	112	40	320	380	32	26	24	18.80
SNK522-619	175	120	6	80	200	147.5	157.5	238.5	125	45	350	410	32	26	24	23.50
SNK524-620	185	120	6	86	215	157.5	167.5	271	140	45	350	410	32	26	24	28.00
SNK526	190	130	6	90	230	167.5	177.5	290	150	50	380	445	35	28	24	34.00
SNK528	205	150	6	98	250	177.5	187.5	302	150	50	420	500	42	35	30	41.50
SNK530	220	160	6	106	270	192.5	202.5	323	160	60	450	530	42	35	30	50.50
SNK532	235	160	6	114	290	202.5	212.5	344	170	60	470	550	42	35	30	56.70

\*SNK/SNU housings can be equipped with TSNA-G, U-LOK, TS-U & TS-UF seals.

\*SNU/SSNU/SNA housings are available.

\*Weight is only for reference.

# Plummer Blocks,剖分式轴承座

## Split Bearing Housings, Split Pillow Block Housings



### SNK500-600 Series

For Self-Aligning Ball Bearings or Spherical Roller Bearings with Adapter Sleeves

Stehlagergehäuse · Paliers à semelle en 2 parties · Soportes de rodamientos · Soportes de Pie · Soportes Bipartidos · CHUMACERAS  
CHUMACEIRAS · Корпуса подшипников · Стационарные подшипниковые узлы · Supporti ritti in due metà

Shaft Dia. mm	Housings No.	Bearing No.		Adapter Sleeve	Sealing Arrangement*		End Cover	Locating Ring	
		Self-Align. Ball	Spherical Roller		Standard	Alternative		Number	Q'ty
					U-Lok	TSNA-G			
20	SNK 505	1205 K		H 205	U 505		505 A	52x10	1
	SNK 505	2205 K		H 305	U 505		505 A	52x7	1
	SNK 506-605	1305 K		H 305	U 605		506 A	62x7.5	2
	SNK 506-605	2305 K		H 2305	U 605		506 A	62x8	1
25	SNK 506-605	1206 K		H 206	U 506		506 A	62x8	2
	SNK 506-605	2206 K		H 306	U 506		506 A	62x6	2
	SNK 507-606	1306 K		H 306	U 606		507 A	72x7.5	2
	SNK 507-606	2306 K		H 2306	U 606		507 A	72x7	1
30	SNK 507-606	1207 K		H 207	U 507	TSNG 507	507 A	72x8.5	2
	SNK 507-606	2207 K	22207 K	H 307	U 507	TSNG 507	507 A	72x5.5	2
	SNK 508-607	1307 K	-	H 307	U 607	TSNG 607	508 A	80x9	2
	SNK 508-607	2307 K	-	H 2307	U 607	TSNG 607	508 A	80x8	1
35	SNK 508-607	1208 K	-	H 208	U 508	TSNG 508	508 A	80x10.5	2
	SNK 508-607	2208 K	22208 K	H 308	U 508	TSNG 508	508 A	80x8	2
	SNK 510-608	1308 K	21308 K	H 308	U 608	TSNG 608	510 A	90x9	2
	SNK 510-608	2308 K	22308 K	H 2308	U 608	TSNG 608	510 A	90x8	1
40	SNK 509	1209 K	-	H 209	U 509	TSNG 509	509 A	85x5.5	2
	SNK 509	2209 K	22209 K	H 309	U 509	TSNG 509	509 A	85x7	1
	SNK 511-609	1309 K	21309 K	H 309	U 609	TSNG 609	511 A	100x9.5	2
	SNK 511-609	2309 K	22309 K	H 2309	U 609	TSNG 609	511 A	100x8	1
45	SNK 510-608	1210 K	-	H 210	U 510	TSNG 510	510 A	90x10.5	2
	SNK 510-608	2210 K	22210 K	H 310	U 510	TSNG 510	510 A	90x9	2
	SNK 512-610	1310 K	21310 K	H 310	U 610	TSNG 610	512 A	110x10.5	2
	SNK 512-610	2310 K	22310 K	H 2310	U 610	TSNG 610	512 A	110x8	1
50	SNK 511-609	1211 K	-	H 211	U 511	TSNG 511	511 A	100x11.5	2
	SNK 511-609	2211 K	22211 K	H 311	U 511	TSNG 511	511 A	100x9.5	2
	SNK 513-611	1311 K	21311 K	H 311	U 611	TSNG 611	513 A	120x11	2
	SNK 513-611	2311 K	22311 K	H 2311	U 611	TSNG 611	513 A	120x8	1
55	SNK 512-610	1212 K	-	H 212	U 512	TSNG 512	512 A	110x13	2
	SNK 512-610	2212 K	22212 K	H 312	U 512	TSNG 512	512 A	110x10	2
	SNK 515-612	1312 K	21312 K	H 312	U 612	TSNG 612	515 A	130x12.5	2
	SNK 515-612	2312 K	22312 K	H 2312	U 612	TSNG 612	515 A	130x10	1
60	SNK 513-611	1213 K	-	H 213	U 513	TSNG 513	513 A	120x14	2
	SNK 513-611	2213 K	22213 K	H 313	U 513	TSNG 513	513 A	120x10	2
	SNK 516-613	1313 K	21313 K	H 313	U 613	TSNG 613	516 A	140x12.5	2
	SNK 516-613	2313 K	22313 K	H 2313	U 613	TSNG 613	516 A	140x10	1
65	SNK 515-612	1215 K	-	H 215	U 515	TSNG 515	515 A	130x15.5	2
	SNK 515-612	2215 K	22215 K	H 315	U 515	TSNG 515	515 A	130x12.5	2
	SNK 518-615	1315 K	21315 K	H 315	U 615	TSNG 615	518 A	160x14	2
	SNK 518-615	2315 K	22315 K	H 2315	U 615	TSNG 615	518 A	160x10	1

# Plummer Blocks,剖分式轴承座

## Split Bearing Housings, Split Pillow Block Housings



### SNK500-600 Series

For Self-Aligning Ball Bearings or Spherical Roller Bearings with Adapter Sleeves

Stehlagergehäuse · Paliers à semelle en 2 parties · Soportes de rodamientos · Soportes de Pie · Soportes Bipartidos · CHUMACERAS  
CHUMACEIRAS · Корпуса подшипников · Стационарные подшипниковые узлы · Supporti ritti in due metà

Shaft Dia. mm	Housings No.	Bearing No.		Adapter Sleeve	Sealing Arrangement*		End Cover	Locating Ring	
		Self-Alig.	Spherical Roller		Standard	Alternative		Number	Q'ty
					U-Lok	TSNA-G			
70	SNK 516-613	1216 K		H 216	U 516	TSNG 516	516 A	140x16	2
	SNK 516-613	2216 K	22216 K	H 316	U 516	TSNG 516	516 A	140x12.5	2
	SNK 519-616	1316 K	21316 K	H 316	U 616	TSNG 616	519 A	170x14.5	2
	SNK 519-616	2316 K	22316 K	H 2316	U 616	TSNG 616	519 A	170x10	1
75	SNK 517	1217 K		H 217	U 517	TSNG 517	517 A	150x16.5	2
	SNK 517	2217 K	22217 K	H 317	U 517	TSNG 517	517 A	150x12.5	2
	SNK 520-617	1317 K	21317 K	H 317	U 617	TSNG 617	520 A	180x14.5	2
	SNK 520-617	2317 K	22317 K	H 2317	U 617	TSNG 617	520 A	180x10	1
80	SNK 518-615	1218 K		H 218	U 518	TSNG 518	518 A	160x17.5	2
	SNK 518-615	2218 K	22218 K	H 318	U 518	TSNG 518	518 A	160x12.5	2
	SNK 518-615		23218 K	H 2318	U 518	TSNG 518	518 A	160x12.5	1
85	SNK 519-616	1219 K		H 219	U 519	TSNG 519	519 A	170x18	2
	SNK 519-616	2219 K	22219 K	H 319	U 519	TSNG 519	519 A	170x12.5	2
	SNK 522-619		22319 K	H 2319	U 619	TSNG 619	522 A	200x13	1
90	SNK 520-617	1220 K		H 220	U 520	TSNG 520	520 A	180x18	2
	SNK 520-617	2220 K	22220 K	H 320	U 520	TSNG 520	520 A	180x12	2
	SNK 520-617		23220 K	H 2320	U 520	TSNG 520	520 A	180x9.7	1
	SNK 524-620		22320 K	H 2320	U 620	TSNG 620	524 A	215x13	1
100	SNK 522-619	1222 K		H 222	U 522	TSNG 522	522 A	200x21	2
	SNK 522-619	2222 K	22222 K	H 322	U 522	TSNG 522	522 A	200x13.5	2
	SNK 522-619		23222 K	H 2322	U 522	TSNG 522	522 A	200x10	1
110	SNK 524-620		22224 K	H 3124	U 524	TSNG 524	524 A	215x14	2
	SNK 524-620		23224 K	H 2324	U 524	TSNG 524	524 A	215x10	1
115	SNK 526		22226 K	H 3126	U 526	TSNG 526	526 A	230x13	2
	SNK 526		23226 K	H 2326	U 526	TSNG 526	526 A	250x10	1
125	SNK 528		22228 K	H 3128	U 528	TSNG 528	528 A	250x15	2
	SNK 528		23228 K	H 2328	U 528	TSNG 528	528 A	250x10	1
135	SNK 530		22230 K	H 3130	U 530	TSNG 530	530 A	270x16.5	2
	SNK 530		23230 K	H 2330	U 530	TSNG 530	530 A	270x10	1
140	SNK 532		22232 K	H 3132	U 532	TSNG 532	532 A	290x17	2
	SNK 532		23232 K	H 2332	U 532	TSNG 532	532 A	290x10	1

NOTES:

\*U-Lok seal, TSNG seal and TS-U seal are interchangeable.