

Plummer Blocks, 剖分式轴承座

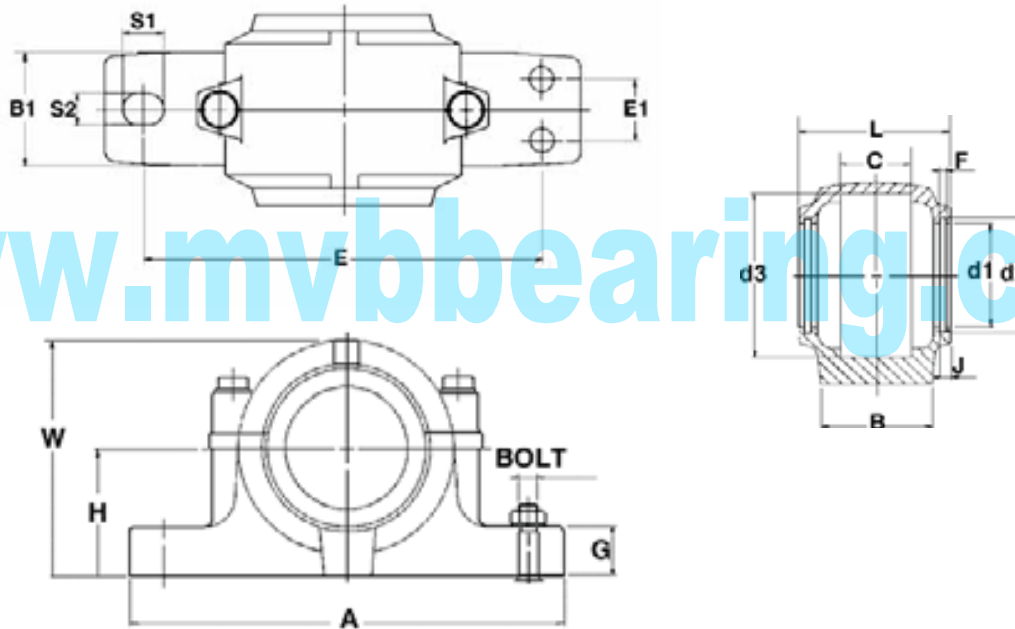
Split Bearing Housings, Split Pillow Block Housings

SNA500-600 Series

For Self-Aligning Ball Bearings or Spherical Roller Bearings with Adapter Sleeves



Stehlagergehäuse · Paliers à semelle en 2 parties · Soportes de rodamientos · Soportes de Pie · Soportes Bipartidos · CHUMACERAS
CHUMACEIRAS · Корпуса подшипников · Стационарные подшипниковые узлы · Supporti ritti in due metà



www.mvbbearing.com

Housing No.	H	A	E	B	B1	S1	S2	G	W	L	d1	d2	J	F	C	d3	Bolt Dia. 2 B. 4 B	E1	
SNA505	40	165	130	46	42	20	13	19	71	67	31.5	39.5	7.5	5	25	52	M10		
SNA506-605	50	185	150	52	45	22	13	22	87	77	36.5	44.5	7.5	5	32	62	M10		
SNA507-606	50	185	150	52	45	20	13	22	92	82	46.5	54.5	7.5	5	34	72	M10		
SNA508-607	60	205	170	60	50	20	15	25	106	85	51.5	59.5	7.5	5	39	80	M12		
SNA509	60	205	170	60	50	20	15	25	109	85	56.5	64.5	8.5	5	30	85	M12		
SNA510-608	60	205	170	60	50	20	15	25	112	90	62	70.5	8.5	5	41	90	M12		
SNA511-609	70	255	210	70	58	23	18	28	127	95	67	75.5	8.5	5	44	100	M16	M12	35
SNA512-610	70	255	210	70	60	23	18	30	133	105	72	80.5	8.5	5	48	110	M16	M12	35
SNA513-611	80	275	230	80	65	24	18	30	148	110	77	85.5	8.5	5	51	120	M16	M12	35
SNA515-612	80	280	230	80	65	26	18	30	154	115	87	95.5	8.5	5	56	130	M16	M12	40
SNA516-613	95	315	260	90	75	29	22	32	175	120	92.5	101	10.5	5	58	140	M20	M12	40
SNA517	95	320	260	90	75	30	22	32	181	125	97.5	106	10.5	5	61	150	M20	M12	50
SNA518-615	100	345	290	100	85	27	22	35	192	140	102.5	111	10.5	5	65	160	M20	M16	50
SNA519-616	112	345	290	100	85	27	22	35	209	145	131	141	11.5	6	68	170	M20	M16	50
SNA520-617	112	380	320	110	95	32	26	40	215	160	137.5	147.5	11.5	6	70	180	M24	M16	60
SNA522-619	125	410	350	120	100	32	26	45	239	175	147.5	157.5	11.5	6	80	200	M24	M16	70
SNA524-620	140	410	350	120	100	32	26	45	271	185	157.5	167.5	11.5	6	86	215	M24	M16	70
SNA526	150	445	380	130	110	35	28	50	290	190	167.5	177.5	13	6	90	230	M24	M20	70
SNA528	150	500	420	150	130	42	35	50	302	205	177.5	187.5	13	6	98	250	M30	M24	80
SNA530	160	530	450	160	140	42	35	60	323	220	192.5	202.5	13.5	6	106	270	M30	M24	90
SNA532	170	550	470	160	140	42	35	60	344	235	202.5	212.5	13.5	6	114	290	M30	M24	90

The above housings are applicable to both adapter mountings SNA500-SNA600 using K type taper bore bearings and SNA200-SNA300 using parallel bore bearings.

For SNA200/SNA300 adapter sleeve is not required. Standard housings are available in cast iron. SG Iron and steel housings to order.