

Plummer Blocks, 剖分式轴承座

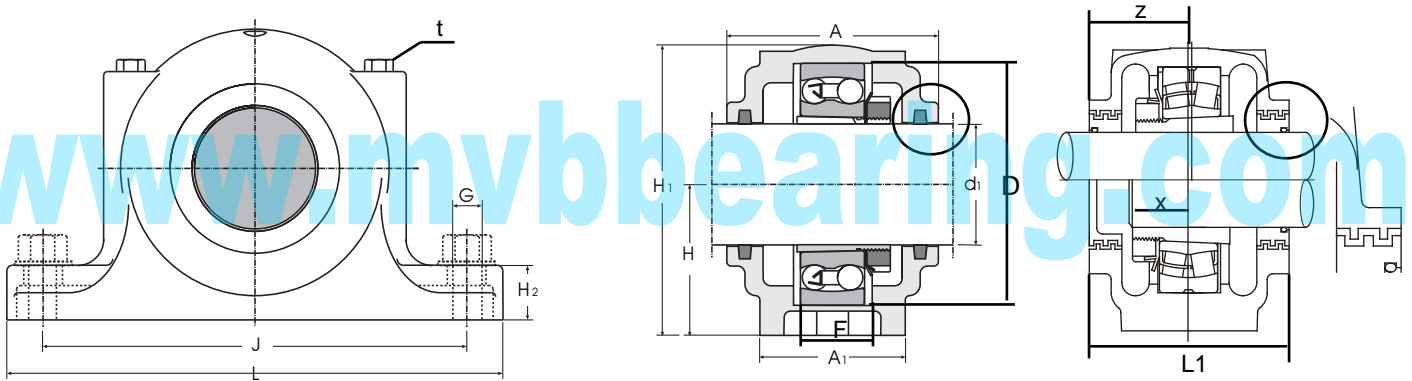
Split Bearing Housings, Split Pillow Block Housings



SN600 Series

For Self-Aligning Ball Bearings or Spherical Roller Bearings with Adapter Sleeves

Stehlagergehäuse · Paliers à semelle en 2 parties · Soportes de rodamientos · Soportes de Pie · Soportes Bipartidos · CHUMACERAS
 CHUMACEIRAS · Корпуса подшипников · Стационарные подшипниковые узлы · Supporti ritri in due metà



HOUSING NO.	NOMINAL DIMENSIONS(mm)															
	SHAFT DIA. d1		D H8	L	b	H2	F H12	H h12	A	H1	J	n	L1	X	d2 H12	d3 H12
	METRIC	INCH														
SN605	20	3/4	62	185	52	22	34	50	80	90	150	25	-	27	21.5	31
SN606	25	1	72	185	52	22	37	50	82	95	150	25	-	27	26.5	38
SN607	30	1-1/8	80	205	60	25	41	60	90	110	170	30	-	32	31.5	43
SN608	35	1-1/4	90	205	60	25	43	60	95	115	170	30	-	34	36.5	48
SN609 SSN609	40	1-1/2	100	255	70	28	46	70	105	130	210	35	-	36	41.5	53
SN610 SSN610	45	1-3/4	110	255	70	30	50	70	115	135	210	35	-	39	46.5	58
SN611 SSN611	50	2	120	275	80	30	53	80	120	150	230	40	185	40	51.5	67
SN612 SSN612	55	2-1/8	130	280	80	30	56	80	125	155	230	40	185	44	56.5	72
SN613 SSN613	60	2-1/4	140	315	90	32	58	95	130	175	260	50	200	46	62	77
SN615 SSN615	65	2-1/2	160	345	100	35	65	100	140	195	290	50	210	51	67	82
SN616 SSN616	70	2-3/4	170	345	100	35	68	112	145	212	290	50	210	52	72	89
SN617 SSN617	75	3	180	380	110	40	70	112	155	218	320	60	220	56	77	94
SN618 SSN618	80	3-1/4	190	400	110	33	74	112	160	230	335	60	225	58	82	99
SN619 SSN619	85	85	200	420	120	36	77	125	170	245	350	70	235	60	87	104
SN620 SSN620	90	3-1/2	215	420	120	38	83	140	175	280	350	70	240	64	92	111
SN622 SSN622	100	4	240	460	130	40	90	150	190	300	390	70	258	69	102	125
SN624 SSN624	110	4-1/4	260	540	160	50	96	160	205	325	450	90	280	73	113	135
SN626 SSN626	115	4-1/2	280	560	160	50	103	170	215	350	470	90	300	77	118	140
SN628 SSN628	125	5	300	630	170	55	112	180	235	375	520	90	320	83	128	154
SN630 SSN630	135	5-1/4	320	680	180	55	118	190	245	395	560	90	340	88	138	164
SN632 SSN632	140	5-1/2	340	710	190	60	124	200	255	415	580	100	350	93	143	173

Plummer Blocks, 剖分式轴承座

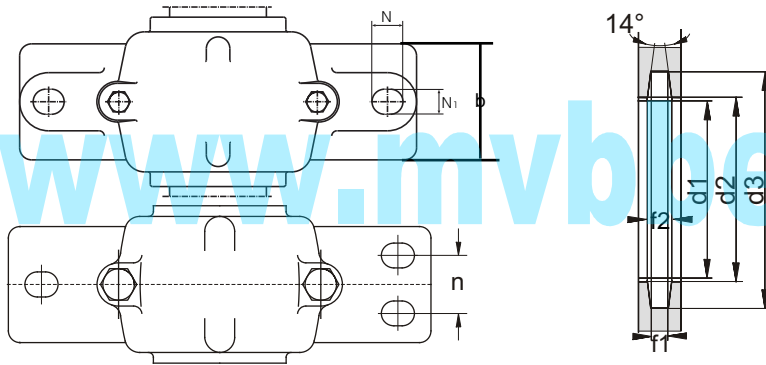
Split Bearing Housings, Split Pillow Block Housings



SN600 Series

For Self-Aligning Ball Bearings or Spherical Roller Bearings with Adapter Sleeves

Stehlagergehäuse · Paliers à semelle en 2 parties · Soportes de rodamientos · Soportes de Pie · Soportes Bipartidos · CHUMACERAS
CHUMACEIRAS · Корпуса подшипников · Стационарные подшипниковые узлы · Supporti ritri in due metà



NOTES:

Foot of standard housing SSN type is solid without mounting holes or can be precast as 2-bolt (with prefix T) or 4-bolt mounting holes (with prefix F).

Taconite seal will be supplied as optional for perfect arrangement in severe operating conditions to prevent contamination from fine abrasive dust.

ZF urbber seals can be supplied upon request.

NOMINAL DIMENSIONS (mm)									BEARING NO.		ADAPTER SLEEVE		LOCATING RING	
t	f1 H13	f2	N1	N	G		WEIGHT(kg)		SELF-ALIG	SPHERICAL ROLLER	METRIC	INCH	NUMBER	QTY
					2 bolt	4 bolt	SN6	SSN6						
M8	3	4.2	16	20	M12	M10	2.11	-	1305 K 2305 K	-	H 305 H 2305	HE 305 HE 2305	62x8.5 62x10	2 1
M10	4	5.4	16	20	M12	M10	2.09	-	1306 K 2306 K	-	H 306 H 2306	HE 306 HE 2306	72X9 72X10	2 1
M10	4	5.4	16	20	M12	M10	3.4	4.1	1307 K 2307 K	-	H 307 H 2307	HE 307 HE 2307	80X10 80X10	2 1
M10	4	5.4	15	24	M12	M10	3.6	4.7	1308 K 2308 K	21308 K 22308 K	H 308 H 2308	HE 308 HE 2308	90X10 90X10	2 1
M12	4	5.4	19	25	M16	M12	5.3	6.8	1309 K 1310 K	21309 K 22309 K	H 309 H 2309	HS 309 HS 2309	100X10.5 100X10	2 1
M12	4	5.4	18	23	M16	M12	5.5	6.8	1311 K 2311 K	21310 K 22310 K	H 310 H 2310	HE 310 HE 2310	110X11.5 110X10	2 1
M12	5	6.9	20	28	M16	M12	6.9	9.0	1311 K 2311 K	21311 K 22311 K	H 311 H 2311	HE 311 HE 2311	120X12 120X10	2 1
M12	5	6.9	20	28	M16	M12	8.8	10.5	1312 K 2312 K	21312 K 22312 K	H 312 H 2312	HE 312 HE 2312	130X12.5 130X10	2 1
M16	5	6.8	22	30	M20	M12	9.8	12.4	1313 K 2313 K	21313 K 22313 K	H 313 H 2313	HE 313 HE 2313	140X12.5 140X10	2 1
M16	5	6.8	23	28	M20	M16	13.0	16.4	1315 K 2315 K	21315 K 22315 K	H 315 H 2315	HS 315 HS 2315	160X14 160X10	2 1
M16	6	8.1	23	30	M20	M16	15.5	19.7	1316 K 2316 K	21316 K 22316 K	H 316 H 2316	HE 316 HE 2316	170X14.5 170X10	2 1
M20	6	8.1	26	35	M24	M16	16.3	20.7	1317 K 2317 K	21317 K 22317 K	H 317 H 2317	HE 317 HE 2317	180X14.5 180X10	2 1
M20	6	8.1	27	38	M24	M16	20.0	24	1318 K 2318 K	- 22318 K	H 318 H 2318	HE 318 HE 2318	190X19.5 190X10	2 2
M20	6	8.1	28	36	M24	M16	28.0	29.7	1219 K 2319 K	22319	H 319 H 2319	HE 319 HE 2319	200X16 200X10	2 1
M20	7	9.3	27	33	M24	M16	30.5	37.1	1320 K 2320 K	- 22320 K	H 320 H 2320	HE 320 HE 2320	215X18 215X10	2 1
M20	8	10.0	28	32	M24	M16	42	49.2	1322 K 2322 K	22322 K	H 322 H 2322	HE 322 HE 2322	240X20 240X10	2 1
M24	8	10.7	34	42	M30	M20	59	72	- -	22324 K	H 2324	HE 2324	260X10	1
M24	8	10.7	34	42	M30	M20	61.5	80.9	- -	22326 K	H 2326	HE 2326	280X10	1
M30	9	12.2	34	46	M30	M20	88	105	- -	22328 K	H 2328	HE 2328	300X10	1
M30	9	12.2	38	44	M30	M20	89	115	- -	22330 K	H 2330	HE 2330	320X10	1
M30	10	13.7	40	52	M36	M24	127	145	- -	22332 K	H 2332	HE 2332	340X10	1