

Plummer Blocks, 剖分式轴承座

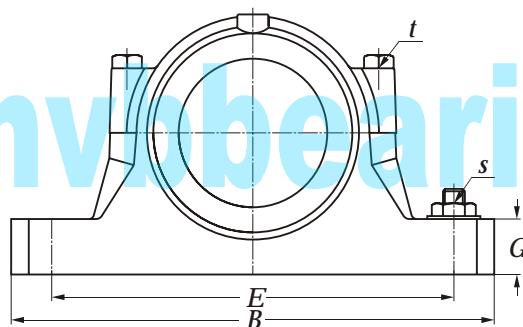
Split Bearing Housings, Split Pillow Block Housings



SN200 Series

For Self-Aligning Ball Bearings or Spherical Roller Bearings with Adapter Sleeves

Stehlagergehäuse · Paliers à semelle en 2 parties · Soportes de rodamientos · Soportes de Pie · Soportes Bipartidos · CHUMACERAS
 CHUMACEIRAS · Корпуса подшипников · Стационарные подшипниковые узлы · Supporti ritri in due metà



www.mvbbearing.com

HOUSING SIZE	SHAFT DIAMETER d (mm)	PLUMMER BLOCK HOUSING	PLUMMER BLOCK HOUSING DIMENSIONS (mm)										
			D (H8)	B	b	G	F (H13)	A (h13)	L	H	E	d_1 (H12)	d_2 (H13)
SN205	25	SN205	52	165	46	22	25.0	40	67	75	130	31.5	43
SN206	30	SN 206	62	185	52	22	30.0	50	77	90	150	36.5	48
SN207	35	SN 207	72	185	52	22	33.0	50	82	95	150	46.5	58
SN208	40	SN 208	80	205	60	25	33.0	60	85	112	170	51.5	67
SN209	45	SN 209	85	205	60	25	31.0	60	85	112	170	56.5	72
SN210	50	SN 210	90	205	60	25	33.0	60	90	115	170	62.0	77
SN211	55	SN 211	100	255	70	28	33.0	70	95	130	210	67.0	82
SN212	60	SN 212	110	255	70	30	38.0	70	105	135	210	72.0	89
SN213	65	SN 213	120	275	80	30	43.0	80	110	150	230	77.0	94
SN215	75	SN 215	130	280	80	30	41.0	80	115	155	230	87.0	104
SN216	80	SN 216	140	315	90	32	43.0	95	120	175	260	92.0	111
SN217	85	SN 217	150	320	90	32	46.0	95	125	185	260	97.0	120
SN218	90	SN 218	160	345	100	35	62.4	100	145	195	290	102.0	125
SN220	100	SN 220	180	380	110	40	70.3	112	160	215	320	118.0	140
SN222	110	SN 222	200	410	120	45	80.0	125	175	239	350	128.0	154
SN224	120	SN 224	215	410	120	45	86.0	140	185	270	350	138.0	164
SN226	130	SN 226	230	445	130	50	90.0	150	190	290	380	148.0	178
SN228	140	SN 228	250	500	150	50	98.0	150	205	305	420	158.0	188
SN230	150	SN 230	270	530	160	60	106.0	160	220	325	450	168.0	198
SN232	160	SN 232	290	550	160	60	114.0	170	235	340	470	178.0	208

Plummer Blocks, 剖分式轴承座

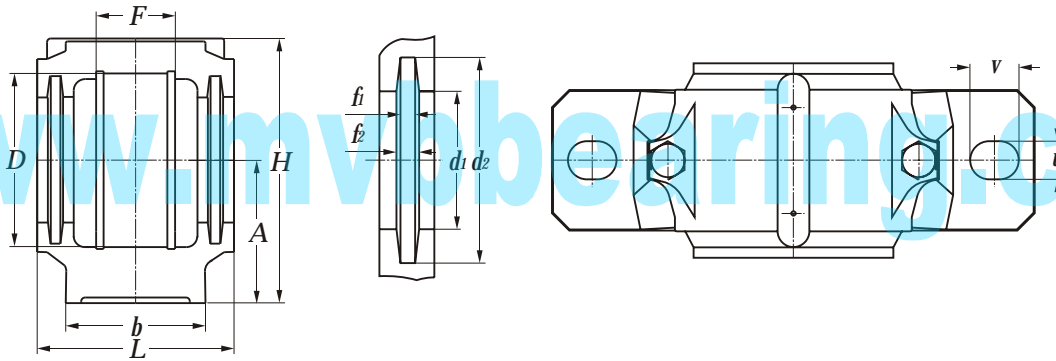
Split Bearing Housings, Split Pillow Block Housings



SN200 Series

For Self-Aligning Ball Bearings or Spherical Roller Bearings with Adapter Sleeves

Stehlagergehäuse · Paliers à semelle en 2 parties · Soportes de rodamientos · Soportes de Pie · Soportes Bipartidos · CHUMACERAS
CHUMACEIRAS · Корпуса подшипников · Стационарные подшипниковые узлы · Supporti ritti in due metà



PLUMMER BLOCK HOUSING DIMENSIONS (mm)						WEIGHT Kg	APPROPRIATE APARTMENT					
f_i	f_e	u	v	s	t		BEARING NUMBER		LOCATING RING		FELT SEAL	END COVER
									NUMBER	QTY		
4	5.4	15	20	M 12	M 8	2.3	1205 2205	22205	SR 52X5 SR 52X7	2 1	FS 6X6X135	508 NA
4	5.4	15	20	M 12	M 8	2.3	1206 2206	22206	SR 62X7 SR 62X10	2 1	FS 6X6X135	508 NA
4	5.4	15	20	M 12	M 10	2.3	1207 2207	22207	SR 72X8 SR 72X10	2 1	FS 6X6X165	510 NA
5	6.9	15	20	M 12	M 10	3.2	1208 2208	22208	SR 80X7.5 SR 80X10	2 1	FS 6X9X190	511 NA-510 UA
5	6.9	15	20	M 12	M 10	3.2	1209 2209	22209	SR 85X6 SR 85X8	2 1	FS 6X9X205	512 NA-511 UA
5	6.8	15	20	M 12	M 10	3.3	1210 2210	22210	SR 90X6.5 SR 90X10	2 1	FS 6X9X220	513 NA-512 UA
5	6.8	18	23	M 16	M 12	4.4	1211 2211	22211	SR 100X6 SR 100X8	2 1	FS 6X9X235	515 NA-513 UA
6	8.1	18	23	M 16	M 12	5.0	1212 2212	22212	SR 110X8 SR 110X10	2 1	FS 8X10X255	516 NA
6	8.1	18	23	M 16	M 12	5.9	1213 2213	22213	SR 120X10 SR 120X12	2 1	FS 8X10X270	517 NA-515 UA
6	8.1	18	23	M 16	M 12	7.0	1215 2215	22215	SR 130X8 SR 130X10	2 1	FS 8X10X300	519 NA-517 UA
7	9.3	22	27	M 20	M 16	8.9	1216 2216	22216	SR 140X8.5 SR 140X10	2 1	FS 9X10X320	520 NA-518 UA
8	10.8	22	27	M 20	M 16	9.1	1217 2217	22217	SR 150X9 SR 150X10	2 1	FS 10X13X340	217 NA
8	10.8	22	27	M 20	M 16	13.1	1218 2218	22218 23218	SR 160X16.2 SR 160X11.2 SR 160X10	2 2 1	FS 10X13X360	522 NA
8	10.7	26	32	M 24	M 20	17.5	2220 22320	22220	SR 180X12.1 SR 180X10	2 1	FS 10X13X410	526 NA-519 UA
9	12.2	26	32	M 24	M 20	21.6	2222 23222	22222	SR 200X13.5 SR 200X10	2 1	FS 12X14X445	528 NA-522 UA
9	12.2	26	32	M 24	M 20	24.2	2224 23224	22224	SR 215X14 SR 215X10	2 1	FS 12X14X475	530 NA-524 UA
10	13.7	28	36	M 24	M 24	30.2	2226 23226	22226	SR 230X13 SR 230X10	2 1	FS 12X17X515	226 NA
10	13.7	33	42	M 30	M 24	41.0	2228 23228	22228	SR 250X15 SR 250X10	2 1	FS 12X17X545	228 NA
10	13.7	33	42	M 30	M 24	46.0	2230 23230	22230	SR 270X16.5 SR 270X10	2 1	FS 12X17X580	230 NA
10	13.7	33	42	M 30	M 24	57.5	2232 23232	22232	SR 290X17 SR 290X10	2 1	FS 12X17X610	232 NA