

# Plummer Blocks, 剖分式轴承座

## Split Bearing Housings, Split Pillow Block Housings

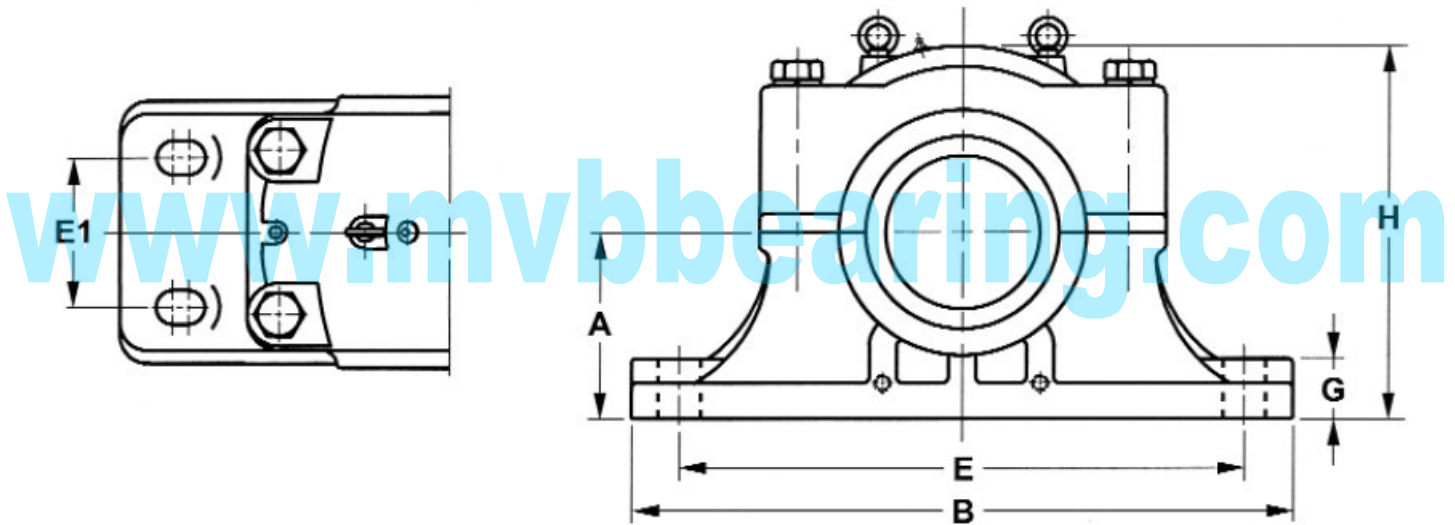


### SDAF600 Series

For Self-Aligning Ball Bearings or Spherical Roller Bearings with Adapter Sleeves

Stehlagergehäuse · Paliers à semelle en 2 parties · Soportes de rodamientos · Soportes de Pie · Soportes Bipartidos · CHUMACERAS  
CHUMACEIRAS · Корпуса подшипников · Стационарные подшипниковые узлы · Supporti ritti in due metà

### Ductile Iron



Housing No.	A	B	P	G	E		E1	H	K Static Oil Level	L	Bolts (No. Req'd)	Wt.
	In.	In.	In.	In.	Max In.	Min In.	In.	In.	In.	In.	In.	lbs.*
SDAF616	4-1/4	14-1/4	5-1/2	1-3/4	12-5/8	10-5/8	3-1/4	8-1/4	1-3/4	6-3/8	(4)--5/8	49
SDAF617	4-1/2	15-1/4	6	1-7/8	13-1/8	11-5/8	3-3/8	8-15/16	1-13/16	6-3/4	(4)--3/4	64
SDAF618	4-3/4	15-1/2	6-1/8	2	13-1/2	12	3-5/8	9-7/16	2	6-7/8	(4)--3/4	72
SDAF620	5-1/4	16-1/2	6-7/8	2-1/4	14-1/2	13-1/4	4-1/8	10-1/2	2-1/8	7-3/8	(4)--7/8	110
SDAF622	6	18-3/8	7-1/2	2-3/8	16	14-5/8	4-1/2	11-7/8	2-1/2	8	(4)--1	145
SDAF624	6-5/16	21-1/4	7-7/8	2-1/2	18-1/4	17	4-3/4	12-13/16	2-9/16	8-3/8	(4)--1-1/8	170
SDAF626	6-11/16	22	8-1/4	2-1/2	19-1/4	17-3/8	5	13-11/16	2-5/8	8-3/4	(4)--1-1/8	193
SDAF628	7-1/16	24-3/4	9	2-1/2	21-5/8	19-3/8	5-1/2	14-1/4	2-11/16	9-3/8	(4)--1-1/4	228
SDAF630	7-1/2	26-3/4	9-3/8	2-3/4	23-5/8	20-7/8	5-7/8	15-3/16	2-7/8	9-3/4	(4)--1-1/4	294
SDAF632	7-7/8	27-5/8	10	3	23-1/2	21-1/2	6-1/4	16-1/4	2-15/16	10-5/8	(4)--1-3/8	350
SDAF634	8-1/4	28-3/4	10-1/2	3-1/4	25	23	6-3/4	17-1/8	3-1/16	11-1/8	(4)--1-3/8	390
SDAF636	8-7/8	30-1/2	10-3/4	3-1/4	26-3/8	24-1/8	6-7/8	17-15/16	3-3/8	11-3/8	(4)--1-1/2	404
SDAF638	9-1/2	32	11-1/4	3-1/2	27-7/8	25-5/8	7-1/4	19-1/4	3-11/16	11-7/8	(4)--1-1/2	486
SDAF640	9-7/8	33-1/2	11-3/4	3-1/2	29-1/4	26-5/8	7-5/8	19-15/16	3-3/4	12-3/8	(4)--1-5/8	560

# Plummer Blocks, 剖分式轴承座

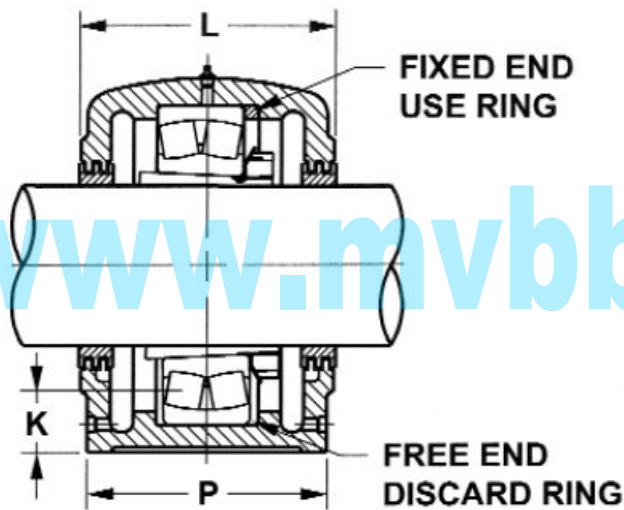
## Split Bearing Housings, Split Pillow Block Housings



### SDAF600 Series

For Self-Aligning Ball Bearings or Spherical Roller Bearings with Adapter Sleeves

Stehlagergehäuse · Paliers à semelle en 2 parties · Soportes de rodamientos · Soportes de Pie · Soportes Bipartidos · CHUMACERAS  
CHUMACEIRAS · Корпуса подшипников · Стационарные подшипниковые узлы · Supporti ritti in due metà



\*Weights are approximate

Note: Housings available in cast iron (SDAF), Ductile (SDAFD) or cast steel (SDAFS).  
Taconite (TER) and LOR seals with O-rings are also available.

- (a) "Housing Only" includes - cap, base, cap bolts, labyrinth seals and fixing rings
- (b) Fixing Ring is used for fixed block only; do not use for float mounting
- (c) End Cover is optional

Shaft Diameter S-1 in.	Complete Unit Number	Housing Only <sup>(a)</sup>	Bearing Number	Adapter Locknut and Lockwasher	Labyrinth Seal Ring (2 required)	Fixing Ring <sup>(b)</sup> (1 required)	End Cover <sup>(c)</sup>
2-11/16	SDAF22616	SDAF 616	22316 K	SNW116 X 2-11/16	LER 44	FR170X10	EPR 08
2-15/16	SDAF22617	SDAF 617	22317 K	SNW117 X 2-15/16	LER 59	FR180X10	EPR 10
3-3/16	SDAF22618	SDAF 618	22318 K	SNW118 X 3-3/16	LER 69	FR190X10	EPR 11
3-7/16	SDAF22620	SDAF 620	22320 K	SNW120 X 3-7/16	LER 75	FR215X10	EPR 11
3-15/16	SDAF22622	SDAF 622	22322 K	SNW122 X 3-15/16	LER 93	FR240X10	EPR 13
4-3/16	SDAF22624	SDAF 624	22324 K	SNW124 X 4-3/16	LER 113	FR260X10	EPR 14
4-7/16	SDAF22626	SDAF 626	22326 K	SNW126 X 4-7/16	LER 117	FR280X10	EPR 15
4-15/16	SDAF22628	SDAF 628	22328 K	SNW128 X 4-15/16	LER 122	FR300X10	EPR 27
5-3/16	SDAF22630	SDAF 630	22330 K	SNW130 X 5-3/16	LER 125	FR320X10	EPR 16
5-7/16	SDAF22632	SDAF 632	22332 K	SNW132 X 5-7/16	LER 211	FR340X10	EPR 17
5-15/16	SDAF22634	SDAF 634	22334 K	SNW134 X 5-15/16	LER 215	FR360X10	EPR 19
6-7/16	SDAF22636	SDAF 636	22336 K	SNW136 X 6-7/16	LER 220	FR380X10	EPR 26
6-15/16	SDAF22638	SDAF 638	22338 K	SNW138 X 6-15/16	LER 224	FR400X10	EPR 21
7-3/16	SDAF22640	SDAF 640	22340 K	SNW140 X 7-3/16	LER 228	FR420X10	EPR 22