

# Plummer Blocks, 剖分式轴承座

## Split Bearing Housings, Split Pillow Block Housings

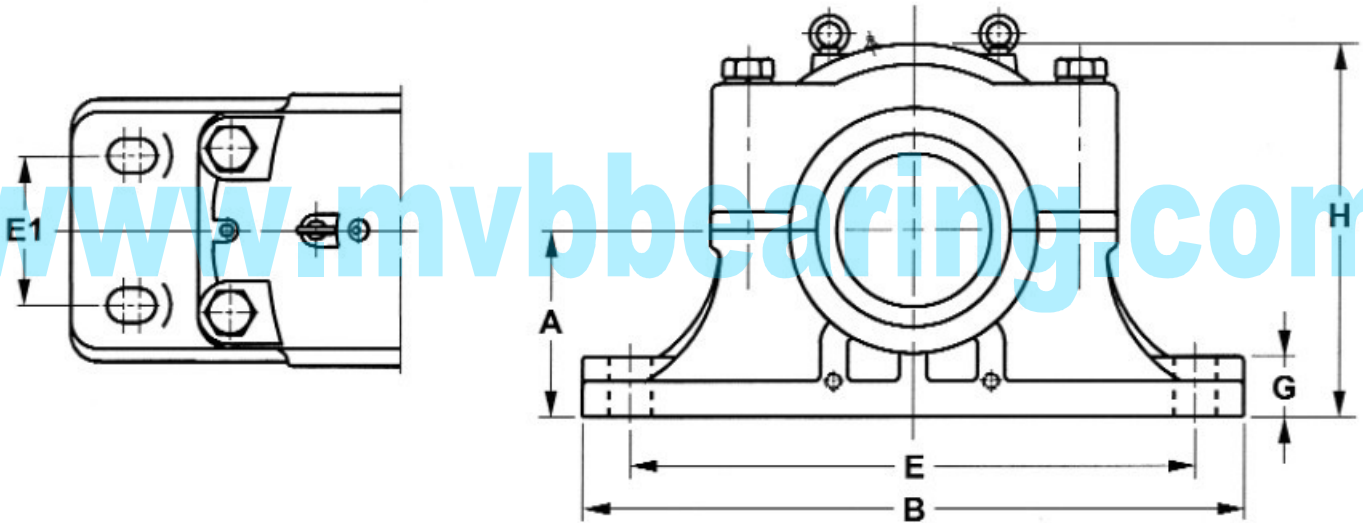


### SDAF300 Series

For Self-Aligning Ball Bearings or Spherical Roller Bearings with Adapter Sleeves

Stehlagergehäuse · Paliers à semelle en 2 parties · Soportes de rodamientos · Soportes de Pie · Soportes Bipartidos · CHUMACERAS  
CHUMACEIRAS · Корпуса подшипников · Стационарные подшипниковые узлы · Supporti ritti in due metà

Ductile Iron



Housing No.	A	B	P	G	E		E1	H	K	L	Bolts (No. Req'd)	Wt.
	In.	In.	In.	In.	Max In.	Min In.	In.	In.	Static Oil Level In.	In.	In.	lbs.*
SDAF316	4-1/4	14-1/4	5-1/2	1-3/4	12-5/8	10-5/8	3-1/4	8-1/4	1-3/4	6-3/8	(4)--5/8	51
SDAF317	4-1/2	15-1/4	6	1-7/8	13-1/8	11-5/8	3-3/8	8-15/16	1-13/16	6-3/4	(4)--3/4	63
SDAF318	4-3/4	15-1/2	6-1/8	2	13-1/2	12	3-5/8	9-7/16	2	6-7/8	(4)--3/4	72
SDAF320	5-1/4	16-1/2	6-7/8	2-1/4	14-1/2	13-1/4	4-1/8	10-1/2	2-1/8	7-3/8	(4)--7/8	92
SDAF322	6	18-3/8	7-1/2	2-3/8	16	14-5/8	4-1/2	11-7/8	2-1/2	8	(4)--1	145
SDAF324	6-5/16	21-1/4	7-7/8	2-1/2	18-1/4	17	4-3/4	12-13/16	2-9/16	8-3/8	(4)--1-1/8	170
SDAF326	6-11/16	22	8-1/4	2-1/2	19-1/4	17-3/8	5	13-11/16	2-5/8	8-3/4	(4)--1-1/8	190
SDAF328	7-1/16	24-3/4	9	2-1/2	21-5/8	19-3/8	5-1/2	14-1/4	2-11/16	9-3/8	(4)--1-1/4	228
SDAF330	7-1/2	26-3/4	9-3/8	2-3/4	23-5/8	20-7/8	5-7/8	15-3/16	2-7/8	9-3/4	(4)--1-1/4	300
SDAF332	7-7/8	27-5/8	10	3	23-1/2	21-1/2	6-1/4	16-1/4	2-15/16	10-5/8	(4)--1-3/8	350
SDAF334	8-1/4	28-3/4	10-1/2	3-1/4	25	23	6-3/4	17-1/8	3-1/16	11-1/8	(4)--1-3/8	390
SDAF336	8-7/8	30-1/2	10-3/4	3-1/4	26-3/8	24-1/8	6-7/8	17-15/16	3-3/8	11-3/8	(4)--1-1/2	400
SDAF338	9-1/2	32	11-1/4	3-1/2	27-7/8	25-5/8	7-1/4	19-1/4	3-11/16	11-7/8	(4)--1-1/2	520
SDAF340	9-7/8	33-1/2	11-3/4	3-1/2	29-1/4	26-5/8	7-5/8	19-15/16	3-3/4	12-3/8	(4)--1-5/8	560

# Plummer Blocks, 剖分式轴承座

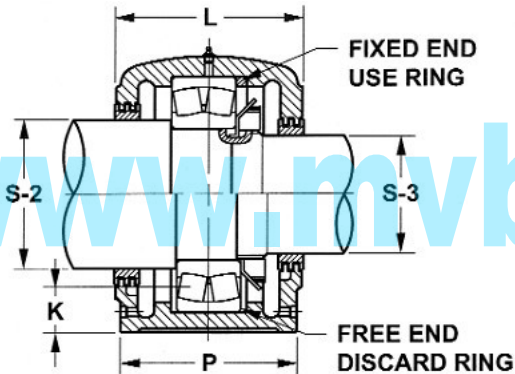
## Split Bearing Housings, Split Pillow Block Housings



### SDAF300 Series

For Self-Aligning Ball Bearings or Spherical Roller Bearings with Adapter Sleeves

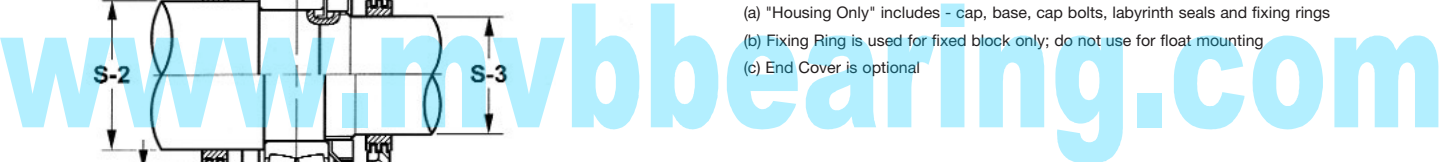
Stehlagergehäuse · Paliers à semelle en 2 parties · Soportes de rodamientos · Soportes de Pie · Soportes Bipartidos · CHUMACERAS  
CHUMACEIRAS · Корпуса подшипников · Стационарные подшипниковые узлы · Supporti ritti in due metà



\*Weights are approximate

Note: Housings available in cast iron (SDAF), Ductile (SDAFD) or cast steel (SDAFS).  
Taconite (TER) and LOR seals with O-rings are also available.

- (a) "Housing Only" includes - cap, base, cap bolts, labyrinth seals and fixing rings
- (b) Fixing Ring is used for fixed block only; do not use for float mounting
- (c) End Cover is optional



Shaft Diameter		Complete Unit Number	Housing Only <sup>(a)</sup>	Bearing Number	Locknut	Lockwasher	Labyrinth Seal Ring		Fixing Ring <sup>(b)</sup> (1 required)	End Cover <sup>(c)</sup>
S-2 in.	S-3 in.						S-2 Shaft (1 required)	S-3 Shaft (1 required)		
3-5/8	3	SDAF22316	SDAF 316	22316	AN 16	W 16	LER 84	LER 60	FR170X10	EPR 10
3-15/16	3-3/16	SDAF22317	SDAF 317	22317	AN 17	W 17	LER 93	LER 69	FR180X10	EPR 11
4-1/8	3-3/8	SDAF22318	SDAF 318	22318	AN 18	W 18	LER 96	LER 72	FR190X10	EPR 11
4-1/2	3-13/16	SDAF22320	SDAF 320	22320	AN 20	W 20	LER 205	LER 87	FR218X10	EPR 12
4-7/8	4-3/16	SDAF22322	SDAF 322	22322	AN 22	W 22	LER 121	LER 113	FR240X10	EPR 14
5-5/16	4-9/16	SDAF22324	SDAF 324	22324	AN 24	W 24	LER 127	LER 119	FR260X10	EPR 15
5-7/8	4-15/16	SDAF22326	SDAF 326	22326	AN 26	W 26	LER 136	LER 122	FR280X10	EPR 27
6-1/4	5-5/16	SDAF22328	SDAF 328	22328	AN 28	W 28	LER 144	LER 127	FR300X10	EPR 16
6-5/8	5-3/4	SDAF22330	SDAF 330	22330	AN 30	W 30	LER 151	LER 134	FR320X10	EPR 17
7	6-1/16	SDAF22332	SDAF 332	22332	AN 32	W 32	LER 225	LER 217	FR340X10	EPR 19
7-7/16	6-7/16	SDAF22334	SDAF 334	22334	AN 34	W 34	LER 230	LER 220	FR360X10	EPR 26
7-16/16	6-7/8	SDAF22336	SDAF 336	22336	AN 36	W 36	LER 234	LER 223	FR380X10	EPR 21
8-3/8	7-1/4	SDAF22338	SDAF 338	22338	AN 38	W 38	LER 240	LER 229	FR400X10	EPR 22
8-3/4	7-5/8	SDAF22340	SDAF 340	22340	AN 40	W 40	LER 244	LER 233	FR420X10	EPR 23