

Plummer Blocks, 剖分式轴承座

Split Bearing Housings, Split Pillow Block Housings

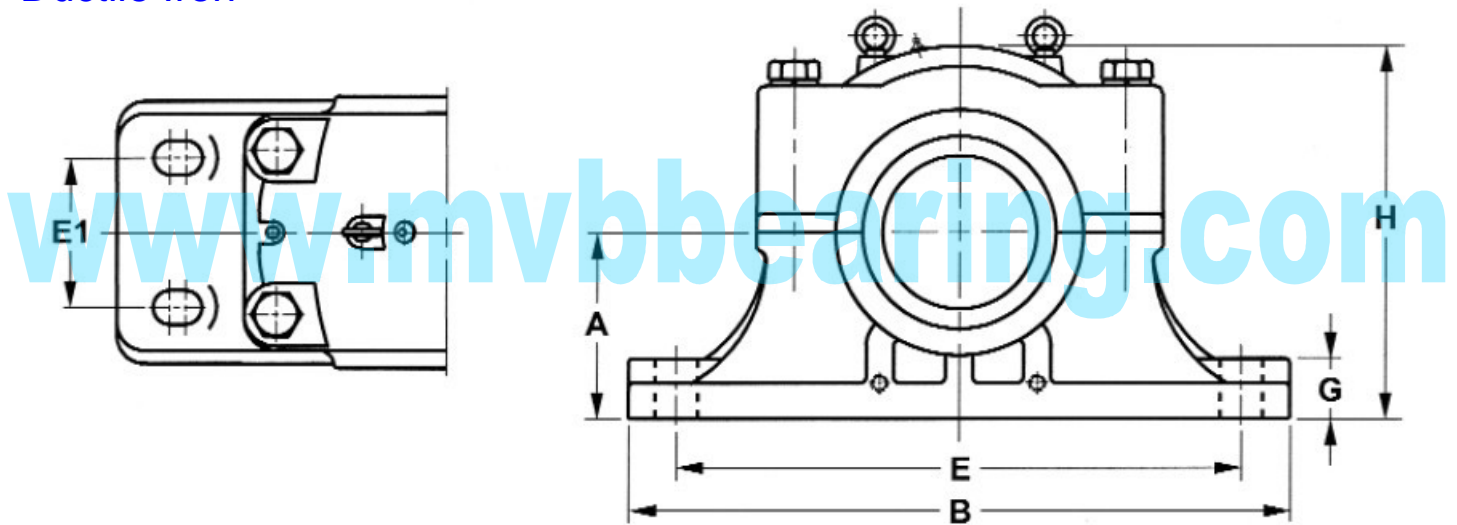


SDAF000K Series

For Self-Aligning Ball Bearings or Spherical Roller Bearings with Adapter Sleeves

Stehlagergehäuse · Paliers à semelle en 2 parties · Soportes de rodamientos · Soportes de Pie · Soportes Bipartidos · CHUMACERAS
 CHUMACEIRAS · Корпуса подшипников · Стационарные подшипниковые узлы · Supporti ritti in due metà

Ductile Iron



Housing No.	A	B	P	G	E		E1	H	K Static Oil Level	L	Bolts (No. Req'd)	Wt.
	In.	In.	In.	In.	Max In.	Min In.	In.	In.	In.	In.	In.	lbs.*
SDAF060K/10-15/16	12	38-1/4	14-3/4	3-3/8	33-1/2	32-3/4	9	23-7/16	4-3/8	14-1/2	(4)--1-5/8	875
SDAF060K/11	12	38-1/4	14-3/4	3-3/8	33-1/2	32-3/4	9	23-7/16	4-3/8	14-1/2	(4)--1-5/8	875
SDAF064K/11-7/16	12	38-1/4	14-3/4	3-3/8	33-1/2	32-3/4	9	23-7/16	4	15-1/2	(4)--1-5/8	878
SDAF064K/11-1/2	12	38-1/4	14-3/4	3-3/8	33-1/2	32-3/4	9	23-7/16	4	15-1/2	(4)--1-5/8	878
SDAF064K/11-15/16	12	38-1/4	14-3/4	3-3/8	33-1/2	32-3/4	9	23-7/16	4	15-1/2	(4)--1-5/8	878
SDAF064K/12	12	38-1/4	14-3/4	3-3/8	33-1/2	32-3/4	9	23-7/16	4	15-1/2	(4)--1-5/8	878
SDAF068K/12-7/16	12	39	15-1/4	4-3/16	33-1/2	32	10	24	3-3/8	15-3/4	(4)--1-7/8	1100
SDAF068K/12-1/2	12	39	15-1/4	4-3/16	33-1/2	32	10	24	3-3/8	15-3/4	(4)--1-7/8	1100
SDAF072K/12-15/16	12-13/16	41-3/4	15-3/4	4-1/2	36-1/2	35	10-1/2	25-3/4	3-23/32	16-1/4	(4)--1-7/8	1170
SDAF072K/13	12-13/16	41-3/4	15-3/4	4-1/2	36-1/2	35	10-1/2	25-3/4	3-23/32	16-1/4	(4)--1-7/8	1170
SDAF072K/13-7/16	12-13/16	41-3/4	15-3/4	4-1/2	36-1/2	35	10-1/2	25-3/4	3-23/32	16-1/4	(4)--1-7/8	1170
SDAF072K/13-1/2	12-13/16	41-3/4	15-3/4	4-1/2	36-1/2	35	10-1/2	25-3/4	3-23/32	16-1/4	(4)--1-7/8	1170
SDAF076K/13-15/16	12-13/16	41-3/4	15-3/4	4-1/2	36-1/2	35	10-1/2	25-3/4	3-3/8	16-1/4	(4)--1-7/8	1146
SDAF076K/14	12-13/16	41-3/4	15-3/4	4-1/2	36-1/2	35	10-1/2	25-3/4	3-3/8	16-1/4	(4)--1-7/8	1146

Plummer Blocks, 剖分式轴承座

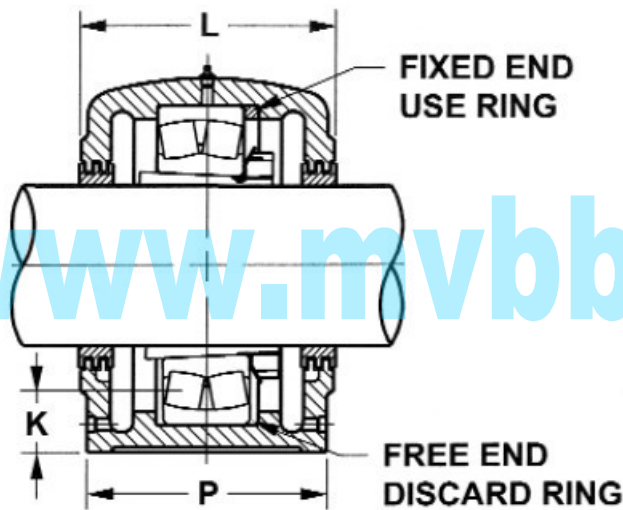
Split Bearing Housings, Split Pillow Block Housings



SDAF000K Series

For Self-Aligning Ball Bearings or Spherical Roller Bearings with Adapter Sleeves

Stehlagergehäuse · Paliers à semelle en 2 parties · Soportes de rodamientos · Soportes de Pie · Soportes Bipartidos · CHUMACERAS
CHUMACEIRAS · Корпуса подшипников · Стационарные подшипниковые узлы



*Weights are approximate

Note: Housings available in cast iron (SDAF), Ductile (SDAFD) or cast steel (SDAFS).
Taconite (TER) and LOR seals with O-rings are also available.

(a) "Housing Only" includes - cap, base, cap bolts, labyrinth seals and fixing rings
(b) Fixing Ring is used for fixed block only; do not use for float mounting

www.mvbbearing.com

Shaft Diameter S-1 in.	Complete Unit Number	Housing Only ^(a)	Bearing Number	Adapter Locknut and Lockwasher or Lockplate	Labyrinth Seal Ring (2 required)	Fixing Ring ^(b) (1 required)
10-15/16	SDAF23060K/10-15/16	SDAF 060K/10-15/16	23060 K	SNP3060 X 10-15/16	ER 858	A 8967
11	SDAF23060K/11	SDAF 060K/11	23060 K	SNP3060 X 11	ER 825	A 8967
11-7/16	SDAF23064K/11-7/16	SDAF 064K/11-7/16	23064 K	SNP3064 X 11-7/16	ER 861	A 8968
11-1/2	SDAF23064K/11-1/2	SDAF 064K/11-1/2	23064 K	SNP3064 X 11-1/2	ER 832	A 8968
11-15/16	SDAF23064K/11-15/16	SDAF 064K/11-15/16	23064 K	SNP3064 X 11-15/16	ER 859	A 8968
12	SDAF23064K/12	SDAF 064K/12	23064 K	SNP3064 X 12	ER 818	A 8968
12-7/16	SDAF23068K/12-7/16	SDAF 068K/12-7/16	23068 K	SNP3068 X 12-7/16	ER 865	A 8969
12-1/2	SDAF23068K/12-1/2	SDAF 068K/12-1/2	23068 K	SNP3068 X 12-1/2	ER 866	A 8969
12-15/16	SDAF23072K/12-15/16	SDAF 072K/12-15/16	23072 K	SNP3072 X 12-15/16	ER 869	A 8970
13	SDAF23072K/13	SDAF 072K/13	23072 K	SNP3072 X 13	ER 846	A 8970
13-7/16	SDAF23072K/13-7/16	SDAF 072K/13-7/16	23072 K	SNP3072 X 13-7/16	ER 872	A 8970
13-1/2	SDAF23072K/13-1/2	SDAF 072K/13-1/2	23072 K	SNP3072 X 13-1/2	ER 823	A 8970
13-15/16	SDAF23076K/13-15/16	SDAF 076K/13-15/16	23076 K	SNP3076 X 13-15/16	ER 875	A 8971
14	SDAF23076K/14	SDAF 076K/14	23076 K	SNP3076 X 14	ER 876	A 8971