

# Plummer Blocks,剖分式轴承座

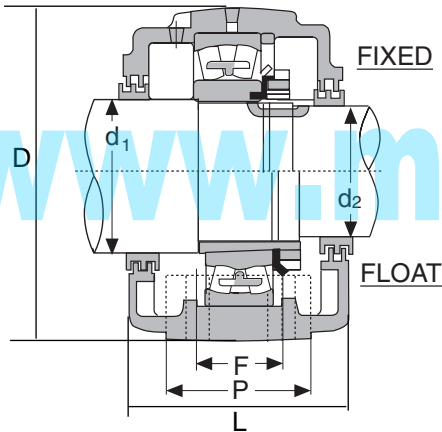
## Split Bearing Housings, Split Pillow Block Housings



### SAF600 Series

For Self-Aligning Ball Bearings or Spherical Roller Bearings with Adapter Sleeves

Stehlagergehäuse · Paliers à semelle en 2 parties · Soportes de rodamientos · Soportes de Pie · Soportes Bipartidos · CHUMACERAS  
CHUMACEIRAS · Корпуса подшипников · Стационарные подшипниковые узлы · Supporti ritti in due metà



www.mvbbearing.com

\*Weights are approximate

Note: Housings available in cast iron (SAF), Ductile (SAFD) or cast steel (SAFS).

LOR seals with O-rings are also available.

- (a) "Housing Only" includes - cap, base, cap bolts, labyrinth seals and fixing rings
- (b) Fixing Ring is used for fixed block only; do not use for float mounting
- (c) End Cover is optional

Shaft Size	Complete Unit Number	Housing Only <sup>(a)</sup>	Bearing Number	Adapters		Labyrinth Seals		Fixing Ring <sup>(b)</sup>		End Cover <sup>(c)</sup>
				SNW Type	H Type	LER	Tactonite	Size	Qty.	
1-7/16	SAF1609	SAF 609	1309K	SNW 09X1-7/16	HA 309X1-7/16	LER 17	TER 17	FR100X10.5	2	EPR 03
	SAF2609		2309K	SNW 09X1-7/16	HA 2309X1-7/16			FR100X10	1	
	SAF21609		21309K	SNW 09X1-7/16	HA 309X1-7/16			FR100X10.5	2	
1-11/16	SAF22609	SAF 610	22309K	SNW 109X1-7/16	HA 2309X1-7/16	LER 20	TER 20	FR100X10	1	EPR 04
	SAF1610		1310K	SNW 10X1-11/16	HA 310X1-11/16			FR110X11.5	2	
	SAF2610		2310K	SNW 10X1-11/16	HA 2310X1-11/16			FR110X10	1	
1-15/16	SAF21610	SAF 611	21310K	SNW 10X1-11/16	HA 310X1-11/16	LER 24	TER 24	FR110X11.5	2	EPR 05
	SAF22610		22310K	SNW 110X1-11/16	HA 2310X1-11/16			FR110X10	1	
	SAF1611		1311K	SNW 11X1-15/16	HA 311X1-15/16			FR120X12	2	
2-3/16	SAF2611	FSAF 611	2311K	SNW 11X1-15/16	HA 2311X1-15/16	LER 32	---	FR120X10	1	EPR 07
	SAF21611		21311K	SNW 11X1-15/16	HA 311X1-15/16			FR120X12	2	
	SAF22611		22311K	SNW 111X1-15/16	HA 2311X1-15/16			FR120X10	1	
2-7/16	SAF1613	SAF 613	1313K	SNW 13X2-3/16	HA 313X2-3/16	LER 37	TER 37	FR140X12.5	2	EPR 07
	SAF2613		2313K	SNW 13X2-3/16	HA 2313X2-3/16			FR140X10	1	
	SAF21613		21313K	SNW 13X2-3/16	HA 313X2-3/16			FR140X12.5	2	
2-11/16	SAF22613	SAF 615	22313K	SNW 113X2-3/16	HA 2313X2-3/16	LER 44	TER 44	FR140X10	1	EPR 08
	SAF1615		1315K	SNW 15X2-7/16	HA 315X2-7/16			FR160X14	2	
	SAF2615		2315K	SNW 15X2-7/16	HA 2315X2-7/16			FR160X10	1	
2-15/16	SAF21615	FSAF 615	21315K	SNW 15X2-7/16	HA 315X2-7/16	LER 184	---	FR160X14	2	EPR 10
	SAF22615		22315K	SNW 115X2-7/16	HA 2315X2-7/16			FR160X10	1	
	SAF1616		1316K	SNW 16X2-11/16	HA 316X2-11/16			FR170X14.5	2	
2-3/16	SAF2616	SAF 616	2316K	SNW 16X2-11/16	HA 2316X2-11/16	LER 188	TER 188	FR170X10	1	EPR 11
	SAF21616		21316K	SNW 16X2-11/16	HA 316X2-11/16			FR170X14.5	2	
	SAF22616		22316K	SNW 116X2-11/16	HA 2316X2-11/16			FR170X10	1	
3-3/16	SAF1617	SAF 617	1317K	SNW 17X2-15/16	HA 317X2-15/16	LER 102	TER 102	FR180X14.5	2	EPR 12
	SAF2617		2317K	SNW 17X2-15/16	HA 2317X2-15/16			FR180X10	1	
	SAF21617		21317K	SNW 17X2-15/16	HA 317X2-15/16			FR180X14.5	2	
3-7/16	SAF22617	SAF 618	22317K	SNW 117X2-15/16	HA 2317X2-15/16	LER 109	TER 109	FR180X10	1	EPR 13
	SAF1618		1318K	SNW 18X3-3/16	HA 318X3-3/16			FR190X15.5	2	
	SAF2618		2318K	SNW 18X3-3/16	HA 2318X3-3/16			FR190X10	1	
3-15/16	SAF21618	SAF 620	21318K	SNW 18X3-3/16	HA 318X3-3/16	LER 113	TER 113	FR190X15.5	2	EPR 14
	SAF22618		22318K	SNW 118X3-3/16	HA 2318X3-3/16			FR190X10	1	
	SAF1620		1320K	SNW 20X3-7/16	HA 320X3-7/16			FR215X18	2	
4-3/16	SAF2620	SAF 622	2320K	SNW 20X3-7/16	HA 2320X3-7/16	LER 122	TER 122	FR215X10	1	EPR 15
	SAF21620		21320K	SNW 20X3-7/16	HA 320X3-7/16			FR215X18	2	
	SAF22620		22320K	SNW 120X3-7/16	HA 2320X3-7/16			FR215X10	1	
4-7/16	SAF1622	SAF 624	1322K	SNW 22X3-15/16	HA 322X3-15/16	LER 125	TER 125	FR240X20	2	EPR 16
	SAF2622		2322K	SNW 22X3-15/16	HA 2322X3-15/16			FR240X20	2	
	SAF21622		21322K	SNW 22X3-15/16	HA 322X3-15/16			FR240X20	1	
4-15/16	SAF22622	SAF 626	22322K	SNW 122X3-15/16	HA 2322X3-15/16	LER 130	TER 130	FR240X10	1	EPR 18
	SAF22624		22324K	SNW 124X4-3/16	HA 2324X4-3/16			FR260X10	1	
	SAF22626		22326K	SNW 126X4-7/16	HA 2326X4-7/16			FR280X10	1	
5-3/16	SAF22628	SAF 628	22328K	SNW 128X4-15/16	HA 2328X4-15/16	LER 148	TER 148	FR300X10	1	---
	SAF22630		22330K	SNW 130X5-3/16	HA 2330X5-3/16			FR320X10	1	
	SAF22632		22332K	SNW 132X5-7/16	HA 2332X5-7/16			FR340X10	1	
5-7/16	SAF22634	SAF 632	22334K	SNW 134X5-15/16	HA 2334X5-15/16	LER 155	TER 155	FR360X10	1	EPR 16
	SAF22636		22336K	SNW 136X6-7/16	HA 2336X6-7/16			FR380X10	1	
	SAF22638		22338K	SNW 138X6-15/16	HA 2338X6-15/16			FR400X10	1	
6-7/16	SAF22640	SAF 634	22340K	SNW 140X7-3/16	HA 2340X7-3/16	LER 159	---	FR420X10	1	EPR 20
	SAF22638		22338K	SNW 138X6-15/16	HA 2338X6-15/16			FR400X10	1	
7-3/16	SAF22640	SAF 640	22340K	SNW 140X7-3/16	HA 2340X7-3/16	LER 159	---	FR420X10	1	---