

# Plummer Blocks, 剖分式轴承座

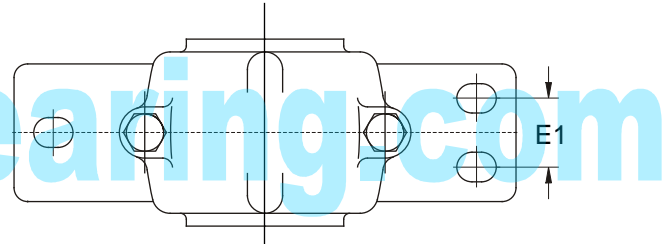
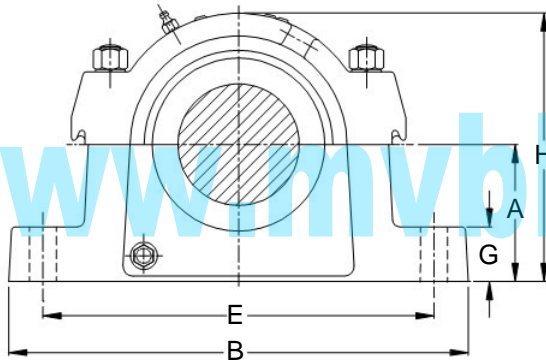
## Split Bearing Housings, Split Pillow Block Housings



### SAF200 Series

For Self-Aligning Ball Bearings or Spherical Roller Bearings with Adapter Sleeves

Stehlagergehäuse · Paliers à semelle en 2 parties · Soportes de rodamientos · Soportes de Pie · Soportes Bipartidos · CHUMACERAS · CHUMACEIRAS · Корпуса подшипников · Стационарные подшипниковые узлы · Supporti ritti in due metà



Housing No.	A	B	P	G	E		E1	H	L	Bolts (No. Req'd)	Wt.	D	F	d1	d2
	In.	In.	In.	In.	Max In.	Min In.	In.	In.	In.	In.	lbs.*	mm	mm	In.	In.
SAF216	3-1/2	13	3-1/2	1-1/4	11	9-5/8		6-15/16	5-3/8	(2)-3/4	22.9	140	43	3-5/8	3
FSAF216	3-1/2	13	3-1/2	1-1/4	11	9-5/8	2-1/8	6-15/16	5-3/8	(4)-5/8	22.9	140	43	3-5/8	3
SAF217	3-3/4	13	3-1/2	1-1/4	11	9-7/8		7-3/8	5-3/8	(2)-3/4	28.6	150	46	3-15/16	3-3/16
FSAF217	3-3/4	13	3-1/2	1-1/4	11	9-7/8	2-1/8	7-3/8	5-3/8	(4)-5/8	28.6	150	46	3-15/16	3-3/16
SAF218	4	13-3/4	3-7/8	1-5/16	11-5/8	10-3/8		7-3/4	5-3/4	(2)-3/4	34.5	160	50	4-1/8	3-3/8
FSAF218	4	13-3/4	3-7/8	1-5/16	11-5/8	10-3/8	2-1/8	7-3/4	5-3/4	(4)-5/8	34.5	160	50	4-1/8	3-3/8
SAF220	4-1/2	15-1/4	4-3/8	1-3/4	13-1/8	11-5/8		8-3/4	6	(2)-7/8	50.7	180	56	4-1/2	3-13/16
FSAF220	4-1/2	15-1/4	4-3/8	1-3/4	13-1/8	11-5/8	2-3/8	8-3/4	6	(4)-3/4	50.7	180	56	4-1/2	3-13/16
SAF222	4-15/16	16-1/2	4-3/4	2	14-1/2	12-5/8	2-3/4	9-5/8	6-1/2	(4)-3/4	64.8	200	63	4-7/8	4-3/16
SAF224	5-1/4	16-1/2	4-3/4	2-1/8	14-1/2	13-1/4	2-3/4	10-1/4	7-3/8	(4)-3/4	68.3	215	68	5-5/16	4-9/16
SAF226	6	18-3/8	5-1/8	2-3/8	16	14-5/8	3-1/4	11-1/2	8	(4)-7/8	103.1	230	74	5-7/8	4-15/16
SAF228	6	20-1/8	5-7/8	2-3/8	17-1/8	16	3-3/8	11-3/4	7-5/8	(4)-1	113.1	250	78	6-1/4	5-5/16
SAF230	6-5/16	21-1/4	6-1/4	2-1/2	18-1/4	17	3-3/4	12-1/2	8-3/8	(4)-1	146.7	270	83	6-5/8	5-3/4
SAF232	6-11/16	22	6-1/4	2-5/8	19-1/4	17-3/8	3-3/4	13-5/16	8-3/4	(4)-1	169.7	290	90	7	6-1/16
SAF234	7-1/16	24-3/4	6-3/4	2-3/4	21-5/8	19-3/8	4-1/4	14-3/16	9-5/8	(4)-1	179.3	310	96	7-7/16	6-7/16
SAF236	7-1/2	26-3/4	7-1/8	3	23-5/8	20-7/8	4-5/8	14-7/8	10	(4)-1	212.1	320	96	7-13/16	6-7/8
SAF238	7-7/8	28	7-1/2	3-1/8	24-3/8	21-5/8	4-1/2	15-11/16	10-3/4	(4)-1 1/4	284.8	340	102	8-3/8	7-1/4
SAF240	8-1/4	29-1/2	8	3-3/8	25	22-1/2	5	16-1/2	11-1/4	(4)-1 1/4	342.3	360	108	8-3/4	7-5/8
SAF244	9-1/2	32-3/4	8-3/4	3-3/4	27-7/8	24-3/4	5-1/4	18-5/8	12	(4)-1 1/2	425.5	400	118	9-9/16	8-5/16

# Plummer Blocks, 剖分式轴承座

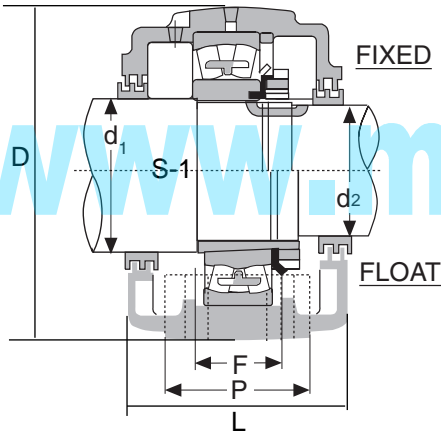
## Split Bearing Housings, Split Pillow Block Housings



### SAF200 Series

For Self-Aligning Ball Bearings or Spherical Roller Bearings with Adapter Sleeves

Stehlagergehäuse · Paliers à semelle en 2 parties · Soportes de rodamientos · Soportes de Pie · Soportes Bipartidos · CHUMACERAS  
CHUMACEIRAS · Корпуса подшипников · Стационарные подшипниковые узлы · Supporti ritti in due metà



\*Weights are approximate

Note: Housings available in cast iron (SAF), Ductile (SAFD) or cast steel (SAFS).

Taconite (TER) and LOR seals with O-rings are also available.

(a) "Housing Only" includes - cap, base, cap bolts, labyrinth seals and fixing rings

(b) Fixing Ring is used for fixed block only; do not use for float mounting

(c) End Cover is optional

Shaft		Complete Unit Number	Housing Only <sup>(a)</sup>	Bearing Number	Locknut	Lockwasher	Labyrinth Seals		Fixing Ring <sup>(b)</sup>		End Cover <sup>(c)</sup>
D1	D2						D1	D2	Size	Qty.	
3-5/8	3	SAF1216	SAF 216	1216	AN 16	W 16	LER 82	LER 54	FR140X8.5	2	EPR 09
		SAF2216	FSAF 216	2216					FR140X10	1	
		SAF22216		22216					FR140X10	1	
3-15/16	3-3/16	SAF1217	SAF 217	1217	AN 17	W 17	LER 89	LER 63	FR150X9	2	EPR 09
		SAF2217	FSAF 217	2217					FR150X10	1	
		SAF22217		22217					FR150X10	1	
4-1/8	3-3/8	SAF1218	SAF 218	1218	AN 18	W 18	LER 112	LER 191	FR 160X10	2	EPR 11
		SAF2218	FSAF 218	2218					FR 160X10	1	
		SAF22218		22218					FR 160X10	1	
4-1/2	3-13/16	SAF1220	SAF 220	1220	AN 20	W 20	LER 118	LER 106	FR180X11	2	EPR 12
		SAF2220	FSAF 220	2220					FR180X10	1	
		SAF22220		22220					FR180X10	1	
4-7/8	4-3/16	SAF1222	SAF 222	1222	AN 22	W 22	LER 121	LER 113	FR200X12.5	2	EPR 14
		SAF2222		2222					FR200X10	1	
		SAF22222		22222					FR200X10	1	
5-5/16	4-9/16	SAF22224	SAF 224	22224	AN 24	W 24	LER 127	LER 119	FR215X10	1	EPR 15
5-7/8	4-15/16	SAF22226	SAF 226	22226	AN 26	W 26	LER 136	LER 122	FR230X10	1	EPR 27
6-1/4	5-15/16	SAF22228	SAF 228	22228	AN 28	W 28	LER 144	LER 127	FR250X10	1	EPR 16
6-5/8	5-3/4	SAF22230	SAF 230	22230	AN 30	W 30	LER 151	LER 134	FR270X10	1	EPR 17
7	6-1/16	SAF22232	SAF 232	22232	AN 32	W 32	LER 156	LER 142	FR290X10	1	EPR 18
7-7/16	6-7/16	SAF22234	SAF 234	22234	AN 34	W 34	LER 161	LER 148	FR310X10	1	EPR 19
7-13/16	6-7/8	SAF22236	SAF 236	22236	AN 36	W 36	LER 165	LER 154	FR320X10	1	EPR 20
8-3/8	7-1/4	SAF22238	SAF 238	22238	AN 38	W 38	LER 171	LER 160	FR340X10	1	EPR 21
8-3/4	7-5/8	SAF22240	SAF 240	22240	AN 40	W 40	LER 175	LER 164	FR360X10	1	EPR 22
9-9/16	8-5/16	SAF22244	SAF 244	22244	AN 44	W 44	LER 179	LER 170	FR400X10	1	EPR 24