

# Plummer Blocks, 剖分式轴承座

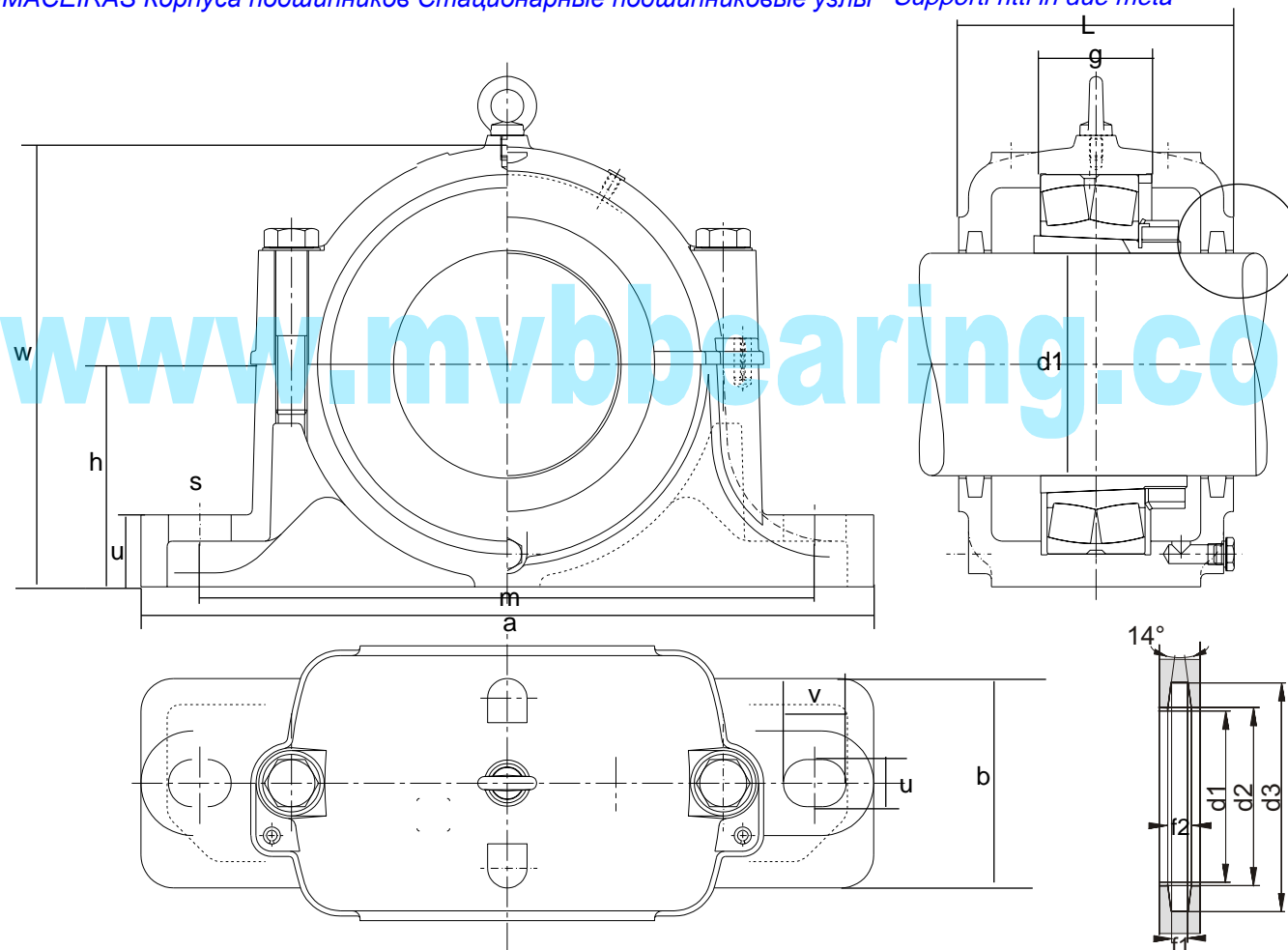
## Split Bearing Housings, Split Pillow Block Housings

### S3000K Series

For Self-Aligning Ball Bearings or Spherical Roller Bearings with Adapter Sleeves



Stehlagergehäuse · Paliers à semelle en 2 parties · Soportes de rodamientos · Soportes de Pie · Soportes Bipartidos · CHUMACERAS  
CHUMACEIRAS · Корпуса подшипников · Стационарные подшипниковые узлы · Supporti ritti in due metà



| Housing No. | Shat dia d <sub>1</sub> (mm) | Dimensions(mm) |     |     |     |     |    |     |       |        |      |        |        |    |    |     | Housing Wt (kg) | Bearing No. | Adapter Sleeve | Locating Ring |     |
|-------------|------------------------------|----------------|-----|-----|-----|-----|----|-----|-------|--------|------|--------|--------|----|----|-----|-----------------|-------------|----------------|---------------|-----|
|             |                              | h h12          | W   | L   | a   | b   | c  | m   | g H12 | f1 H12 | f2   | d2 H12 | d3 H12 | v  | u  | s   |                 |             |                | Number        | QTY |
| S3024K      | 110                          | 112            | 215 | 150 | 390 | 110 | 40 | 320 | 56    | 8      | 10.7 | 113    | 135    | 30 | 36 | M24 | 16.5            | 23024K      | H3024          | R180/10       | 1   |
| S3026K      | 115                          | 125            | 239 | 160 | 420 | 120 | 45 | 350 | 62    | 8      | 10.7 | 118    | 140    | 30 | 36 | M24 | 19.3            | 23026K      | H3026          | R200/10       | 1   |
| S3028K      | 125                          | 140            | 259 | 170 | 420 | 120 | 45 | 350 | 63    | 9      | 12.2 | 128    | 154    | 30 | 36 | M24 | 24.6            | 23028K      | H3028          | R210/10       | 1   |
| S3030K      | 135                          | 150            | 278 | 175 | 460 | 130 | 45 | 380 | 66    | 9      | 12.2 | 138    | 164    | 30 | 36 | M24 | 29              | 23030K      | H3030          | R225/10       | 1   |
| S3032K      | 140                          | 150            | 288 | 190 | 470 | 130 | 50 | 390 | 70    | 10     | 13.7 | 143    | 173    | 30 | 36 | M24 | 37              | 23032K      | H3032          | R240/10       | 1   |
| S3034K      | 150                          | 160            | 320 | 200 | 540 | 160 | 55 | 450 | 77    | 10     | 13.7 | 153    | 183    | 36 | 48 | M30 | 45              | 23034K      | H3034          | R260/10       | 1   |
| S3036K      | 160                          | 170            | 340 | 210 | 560 | 160 | 55 | 470 | 84    | 10     | 13.7 | 163    | 193    | 36 | 48 | M30 | 65              | 23036K      | H3036          | R280/10       | 1   |
| S3038K      | 170                          | 170            | 353 | 210 | 560 | 160 | 55 | 470 | 85    | 10     | 13.7 | 173    | 203    | 36 | 48 | M30 | 67              | 23038K      | H3038          | R290/10       | 1   |
| S3040K      | 180                          | 180            | 373 | 235 | 615 | 170 | 60 | 515 | 92    | 10     | 13.7 | 183    | 213    | 36 | 48 | M30 | 72              | 23040K      | H3040          | R310/10       | 1   |
| S3044K      | 200                          | 200            | 408 | 255 | 690 | 190 | 70 | 580 | 100   | 11     | 15.5 | 203    | 240    | 42 | 50 | M36 | 98              | 23044K      | H3044          | R340/10       | 1   |
| S3048K      | 220                          | 210            | 433 | 265 | 720 | 200 | 75 | 610 | 102   | 11     | 15.5 | 223    | 260    | 42 | 50 | M36 | 110             | 23048K      | H3048          | R360/10       | 1   |
| S3052K      | 240                          | 240            | 485 | 285 | 820 | 220 | 80 | 680 | 114   | 12     | 17.3 | 243    | 286    | 52 | 70 | M45 | 148             | 23052K      | H3052          | R400/10       | 1   |
| S3056K      | 260                          | 250            | 505 | 295 | 860 | 230 | 80 | 720 | 116   | 12     | 17.3 | 263    | 306    | 52 | 70 | M45 | 165             | 23056K      | H3056          | R420/10       | 1   |