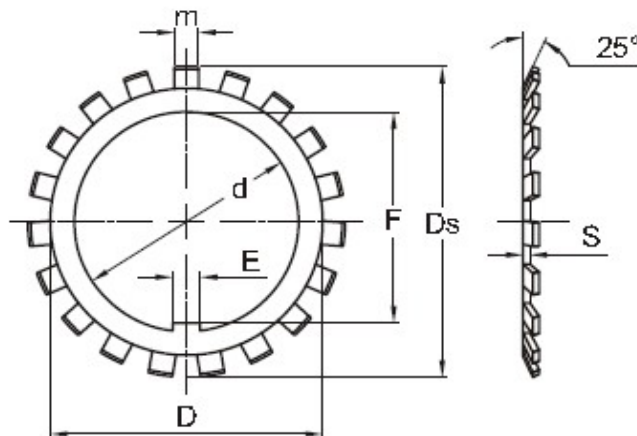
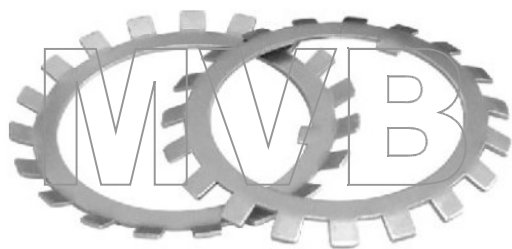


Lock Washer 锁紧垫圈

MB MBA MBL (AN) Series



Bore Size
d=10 ~ 280mm



Part Number		Dimensions							Mass (kg)
MVB	Interchangeable	d	Ds	D	S	E	F	m	
MB 14	AN 14	70	98	85	1.50	8	66.5	8	0.031
MB 14 A	AN 14 A	70	98	85	2.65	8	66.5	8	0.053
MB 15	AN 15	75	104	90	1.50	8	71.5	8	0.035
MB 15 A	AN 15 A	75	104	90	2.65	8	71.5	8	0.058
MB 16	AN 16	80	112	95	1.75	10	76.5	8	0.049
MB 16 A	AN 16 A	80	112	95	2.65	10	76.5	8	0.066
MB 17	AN 17	85	119	102	1.75	10	81.5	8	0.056
MB 17 A	AN 17 A	85	119	102	2.65	10	81.5	8	0.076
MB 18	AN 18	90	126	108	1.75	10	86.5	10	0.068
MB 18 A	AN 18 A	90	126	108	2.65	10	86.5	10	0.087
MB 19	AN 19	95	133	113	1.75	10	91.5	10	0.071
MB 19 A	AN 19 A	95	133	113	2.65	10	91.5	10	0.094
MB 20	AN 20	100	142	120	1.75	12	96.5	10	0.082
MB 20 A	AN 20 A	100	142	120	2.65	12	96.5	10	0.110
MB 21	AN 21	105	145	126	1.75	12	100.5	12	0.079
MB 22	AN 22	110	154	133	1.75	12	105.5	12	0.101
MB 23	AN 23	115	159	137	2.00	12	110.5	12	0.105
MB 24	AN 24	120	164	138	2.00	14	115.0	12	0.095
MBL 24	ANL 24	120	148	135	2.00	14	115.0	12	0.070
MB 25	AN 25	125	170	148	2.00	14	120.0	12	0.115
MB 26	AN 26	130	175	149	2.00	14	125.0	12	0.100
MBL 26	ANL 26	130	158	145	2.00	14	125.0	12	0.090
MB 27	AN 27	135	185	160	2.00	14	130.0	14	0.145
MB 28	AN 28	140	192	160	2.00	16	135.0	14	0.125
MBL 28	ANL 28	140	170	155	2.00	16	135.0	12	0.110
MB 29	AN 29	145	202	171	2.00	16	140.0	14	0.155
MB 30	AN 30	150	205	171	2.00	16	145.0	14	0.135