

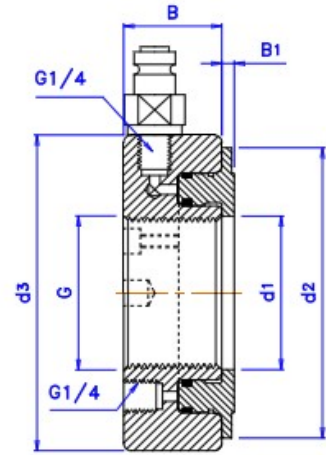
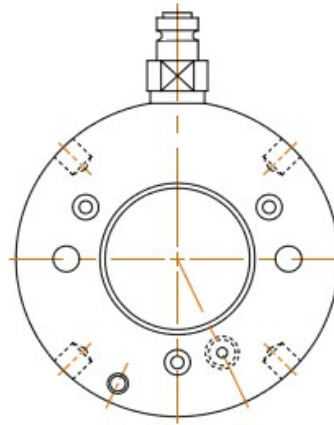
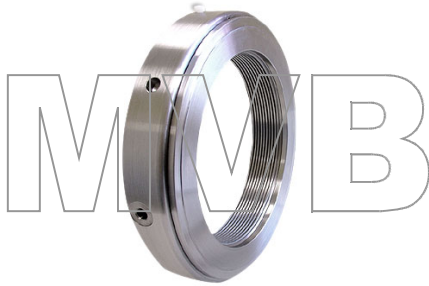
# Hydraulic Nut HMV..E. HMVC..E Series



## Thread Size

G=M50×1.5 ~ Tr1000×8 (Metric Sizes)

G=1.967 in - 18 ~ 37.41 in - 3 (Inch Sizes)



Part Number		Dimensions							Permitted piston displacement (mm)	Piston area mm <sup>2</sup> /in <sup>2</sup>	Mass (kg)
With Thread	Without Thread	Thread Size (mm)	G mm(metric sizes) in-threads/in(inch sizes)	d1 (mm)	d2 (mm)	d3 (mm)	B (mm)	B1 (mm)			
HMV 112E	HMV 112E/A101	560	Tr 560x6	562	678	704	71	13	22	61200	88,0
HMV 114E	HMV 114E/A101	570	Tr 570x6	572	689	716	72	13	23	63200	91,0
HMV 116E	HMV 116E/A101	580	Tr 580x6	582	699	726	72	13	23	64200	94,0
HMVC 120E	-	596,341	23.623 in - 4	601,98	721,36	746,76	73,66	12,954	23,114	104,3	220
HMV 120E	HMV 120E/A101	600	Tr 600x6	602	721	748	73	13	23	67300	100
HMVC 126E	-	626,339	in24.804 - 4	632,46	754,38	782,32	73,66	13,97	23,114	113	243
HMV 126E	HMV 126E/A101	630	Tr 630x6	632	754	782	74	14	23	72900	110
HMV 130E	HMV 130E/A101	650	Tr 650x6	652	775	804	75	14	23	76200	115
HMVC 134E	-	666,344	26.379 in - 4	673,1	795,02	825,5	76,2	13,97	23,876	123,2	265
HMV 134E	HMV 134E/A101	670	Tr 670x6	672	796	826	76	14	24	79500	120
HMV 138E	HMV 138E/A101	690	Tr 690x6	692	819	848	77	14	25	84200	127
HMVC 142E	-	705,46	27.961 in - 3	711,2	840,74	871,22	78,74	14,986	24,892	135,9	298
HMV 142E	HMV 142E/A101	710	Tr 710x7	712	840	870	78	15	25	87700	135
HMVC 150E	-	745,465	29.536 in - 3	751,84	883,92	911,86	78,74	14,986	24,892	147,6	322
HMV 150E	HMV 150E/A101	750	Tr 750x7	752	883	912	79	15	25	95200	146
HMVC 160E	-	795,452	31.504 in - 3	802,64	937,26	965,2	78,74	16,002	24,892	161	355
HMV 160E	HMV 160E/A101	800	Tr 800x7	802	936	965	80	16	25	103900	161
HMVC 170E	-	845,464	33.473 in - 3	850,9	990,6	1021,08	83,82	16,002	25,908	177,6	399
HMV 170E	HMV 170E/A101	850	Tr 850x7	852	990	1020	83	16	26	114600	181
HMVC 180E	-	895,452	35.441 in - 3	901,7	1043,94	1074,42	86,36	17,018	29,972	192,4	452
HMV 180E	HMV 180E/A101	900	Tr 900x7	902	1043	1075	86	17	30	124100	205
HMVC 190E	-	945,464	37.41 in - 3	952,5	1097,28	1125,22	86,36	17,018	29,972	210,3	481
HMV 190E	HMV 190E/A101	950	Tr 950x8	952	1097	1126	86	17	30	135700	218
HMV 200E	HMV 200E/A101	1000	Tr 1000x8	1002	1150	1180	88	17	34	145800	239