

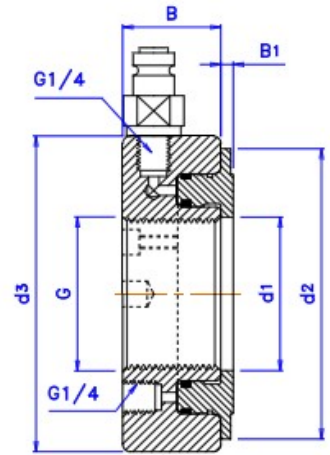
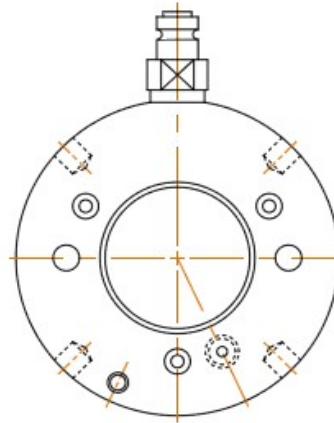
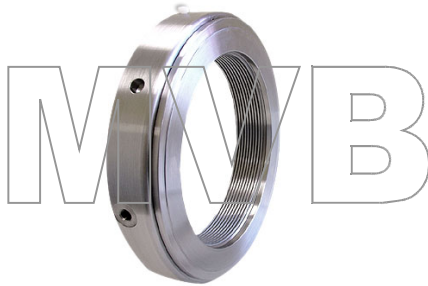
# Hydraulic Nut HMV..E. HMVC..E Series



## Thread Size

G=M50×1.5 ~ Tr1000×8 (Metric Sizes)

G=1.967 in - 18 ~ 37.41 in - 3 (Inch Sizes)



Part Number		Dimensions							Permitted piston displacement (mm)	Piston area mm <sup>2</sup> /in <sup>2</sup>	Mass (kg)
With Thread	Without Thread	Thread Size (mm)	G mm(metric sizes) in-threads/in(inch sizes)	d1 (mm)	d2 (mm)	d3 (mm)	B (mm)	B1 (mm)			
HMVC 76E	-	376,86	14.957 in - 5	381	474,98	497,84	58,42	10,922	16,002	51,9	89,3
HMV 76E	HMV 76E/A101	380	Tr 380x5	382	476	498	58	11	16	33500	40,5
HMV 77E	HMV 77E/A101	385	Tr 385x5	387	483	504	58	11	16	34700	41,0
HMVC 80E	-	396,875	15.745 in - 5	401,32	497,84	523,24	60,96	10,922	17,018	56,9	100
HMV 80E	HMV 80E/A101	400	Tr 400x5	402	499	522	60	11	17	36700	45,5
HMV 82E	HMV 82E/A101	410	Tr 410x5	412	510	534	61	11	17	38300	48,0
HMVC 84E	-	416,865	16.532 in - 5	421,64	523,24	546,1	60,96	10,922	17,018	62	110
HMV 84E	HMV 84E/A101	420	Tr 420x5	422	522	546	61	11	17	40000	50,0
HMV 86E	HMV 86E/A101	430	Tr 430x5	432	532	556	62	11	17	40800	52,5
HMVC 88E	-	436,855	17.319 in - 5	441,96	543,56	566,42	60,96	11,938	17,018	65,9	119
HMV 88E	HMV 88E/A101	440	Tr 440x5	442	543	566	62	12	17	42500	54,0
HMV 90E	HMV 90E/A101	450	Tr 450x5	452	554	580	64	12	17	44100	57,5
HMVC 92E	-	456,87	18.107 in - 5	462,28	563,88	591,82	63,5	11,938	17,018	69,9	132
HMV 92E	HMV 92E/A101	460	Tr 460x5	462	565	590	64	12	17	45100	60,0
HMV 94E	HMV 94E/A101	470	Tr 470x5	472	576	602	65	12	18	46900	62,0
HMVC 96E	-	476,86	18.894 in - 5	482,6	586,74	612,14	66,04	11,938	19,05	75,3	139
HMV 96E	HMV 96E/A101	480	Tr 480x5	482	587	612	65	12	19	48600	63,0
HMV 98E	HMV 98E/A101	490	Tr 490x5	492	597	624	66	12	19	49500	66,0
HMVC 100E	-	496,875	19.682 in - 5	502,92	609,6	635	66,04	11,938	19,05	79,8	154
HMV 100E	HMV 100E/A101	500	Tr 500x5	502	609	636	67	12	19	51500	70,0
HMV 102E	HMV 102E/A101	510	Tr 510x6	512	624	648	68	12	20	53300	74,0
HMV 104E	HMV 104E/A101	520	Tr 520x6	522	634	658	68	13	20	54300	75,0
HMVC 106E	-	526,339	20.867 in - 4	530,86	645,16	670,56	68,58	12,954	21,082	87,1	174
HMV 106E	HMV 106E/A101	530	Tr 530x6	532	645	670	69	13	21	56200	79,0
HMV 108E	HMV 108E/A101	540	Tr 540x6	542	657	682	69	13	21	58200	81,0
HMV 110E	HMV 110E/A101	550	Tr 550x6	552	667	693	70	13	21	59200	84,0
HMVC 112E	-	556,336	22.048 in - 4	561,34	678,18	703,58	71,12	12,954	22,098	94,9	194