

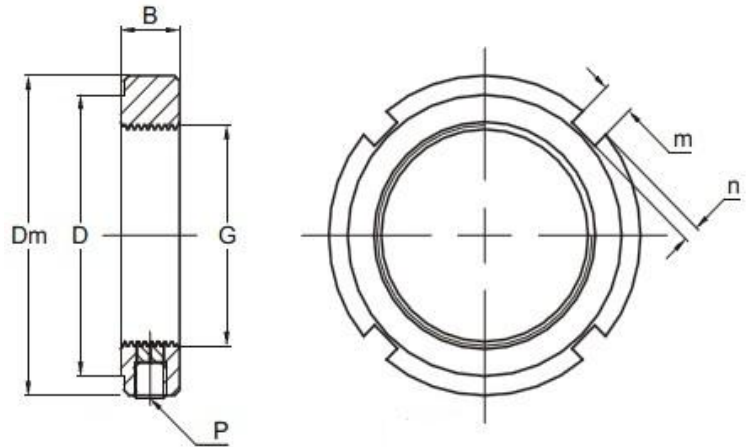
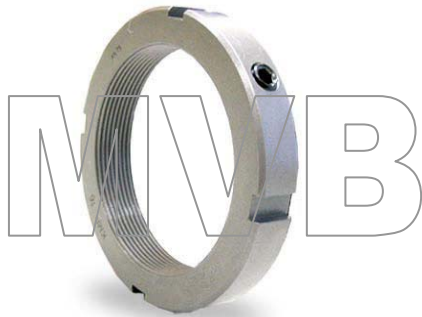
Precision Lock Nut With Locking Screw

KMFE Series



Thread Size

G=M20x1~M130x2



Part Number		Dimensions (mm)						Static Axial Load Carrying Capacity Kn	Grub Screws		Mass Kg
Lock Nut	Spanner	G	Dm	B	D	m	n		Size	Max. Tightening Torque Nm	
KMFE 4	HN 4	M 20x1	32	9.5	26	4	2	24	M 5	4	0.031
KMFE 5	HN 5-6	M 25x1.5	38	10.5	31	5	2	31,5	M 5	4	0.042
KMFE 6	HN 5-6	M 30x1.5	45	10.5	36	5	2	36,5	M 5	4	0.058
KMFE 7	HN 7	M 35x1.5	52	11.5	42.5	5	2	50	M 5	4	0.080
KMFE 8	HN 8-9	M 40x1.5	58	13	47	6	2.5	62	M 6	8	0.110
KMFE 9	HN 8-9	M 45x1.5	65	13	53	6	2.5	78	M 6	8	0.140
KMFE 10	HN 10-11	M 50x1.5	70	14	57.5	6	2.5	91,5	M 6	8	0.160
KMFE 11	HN 10-11	M 55x2	75	14	64	7	3	91,5	M 6	8	0.180
KMFE 12	HN 12-13	M 60x2	80	14	69	7	3	95	M 6	8	0.190
KMFE 13	HN 12-13	M 65x2	85	15	76	7	3	108	M 6	8	0.230
KMFE 14	HN 14	M 70x2	92	15	79	8	3.5	118	M 6	8	0.260
KMFE 15	HN 15	M 75x2	98	16	85	8	3.5	134	M 6	8	0.320
KMFE 16	HN 16	M 80x2	105	18	91.5	8	3.5	173	M 8	18	0.420
KMFE 17	HN 17	M 85x2	110	19	98	8	3.5	190	M 8	18	0.460
KMFE 18	HN 18-20	M 90x2	120	19	102	10	4	216	M 8	18	0.580
KMFE 19	HN 18-20	M 95x2	125	20	110	10	4	236	M 8	18	0.66
KMFE 20	HN 18-20	M 100x2	130	21	112	10	4	255	M 8	18	0.710
KMFE 21	HN 21-22	M 105x2	140	21	112	12	5	290	M 8	18	0.850
KMFE 22	HN 21-22	M 110x2	145	21.5	122	12	5	310	M 8	18	0.930
KMFE 23	TMFN 23-30	M 115x2	150	25	126	12	5	315	M 10	35	1.110
KMFE 24	TMFN 23-30	M 120x2	155	26	130	12	5	340	M 10	35	1.160
KMFE 25	TMFN 23-30	M 125x2	160	27	136	12	5	360	M 10	35	1.260
KMFE 26	TMFN 23-30	M 130x2	165	28	141	12	5	365	M 10	35	1.330