

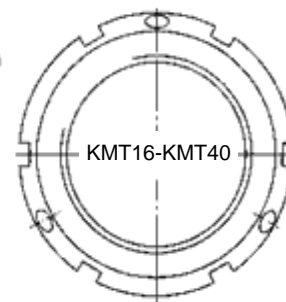
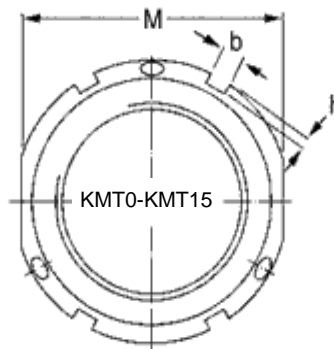
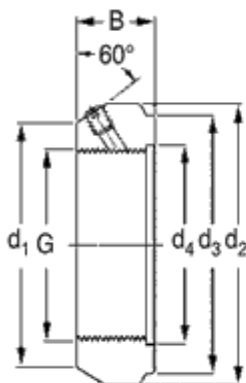
# Precision Lock Nut With Locking Pin

## KMT Series



Thread Size

G=M10x0.75~Tr200x3



Part Number		Dimensions (mm)									Static Axial Load Carrying Capacity Kn	Grub Screws		Nut Loosening Torque Nm	Mass Kg
Lock Nut	Spanner	G	d1	d2	d3	d4	B	b	h	M		Size	Max. Tightening Torque Nm		
KMT0	HN2/3	M10x0.75	21	28	23	11	14	4	2	24	35	M5	4.5	15	0.045
KMT1	HN3	M12x1	23	30	25	13	14	4	2	27	40	M5	4.5	18	0.05
KMT2	HN4	M15x1	26	33	28	16	16	4	2	30	60	M5	4.5	20	0.075
KMT3	HN4	M17x1	29	37	33	18	18	5	2	34	80	M6	8	25	0.1
KMT4	HN5	M20x1	32	40	35	21	18	5	2	36	90	M6	8	35	0.11
KMT5	HN5	M25x1.5	36	44	39	26	20	5	2	41	130	M6	8	45	0.13
KMT6	HN6	M30x1.5	41	49	44	32	20	5	2	46	160	M6	8	55	0.16
KMT7	HN7	M35x1.5	46	54	49	38	22	5	2	50	190	M6	8	65	0.19
KMT8	HN8/9	M40x1.5	54	65	59	42	22	6	2.5	60	210	M8	18	80	0.3
KMT9	HN9/10	M45x1.5	60	70	64	48	22	6	2.5	65	240	M8	18	95	0.33
KMT10	HN10/11	M50x1.5	64	75	68	52	25	7	3	70	300	M8	18	115	0.4
KMT11	HN12/13	M55x2	74	85	78	58	25	7	3	80	340	M8	18	225	0.54
KMT12	HN13	M60x2	78	90	82	62	26	8	3.5	85	380	M8	18	245	0.61
KMT13	HN14	M65x2	83	95	87	68	28	8	3.5	90	460	M8	18	265	0.71
KMT14	HN15	M70x2	88	100	92	72	28	8	3.5	95	490	M8	18	285	0.75
KMT15	HN15/16	M75x2	93	105	97	77	28	8	3.5	100	520	M8	18	305	0.8
KMT16	HN16/17	M80x2	98	110	100	83	32	8	3.5	-	620	M8	18	325	0.9
KMT17	HN17/18	M85x2	107	120	110	88	32	10	4	-	650	M10	35	660	1.15
KMT18	HN18/19	M90x2	112	125	115	93	32	10	4	-	680	M10	35	720	1.2
KMT19	HN19/20	M95x2	117	130	120	98	32	10	4	-	710	M10	35	780	1.25
KMT20	HN20	M100x2	122	135	125	103	32	10	4	-	740	M10	35	840	1.3
KMT22	HN22	M110x2	132	145	134	112	32	10	4	-	800	M10	35	960	1.45
KMT24	-	M120x2	142	155	144	122	32	10	4	-	860	M10	35	1080	1.6
KMT26	-	M130x2	152	165	154	132	32	12	5	-	920	M10	35	1200	1.7
KMT28	-	M140x2	162	175	164	142	32	14	6	-	980	M10	35	1320	1.8
KMT30	-	M150x2	172	185	174	152	32	14	6	-	1040	M10	35	1440	1.95
KMT32	-	M160x3	182	195	184	162	32	14	6	-	1100	M10	35	1600	2.1
KMT34	-	M170x3	192	205	192	172	32	14	6	-	1160	M10	35	1750	2.2
KMT36	-	M180x3	202	215	204	182	32	16	7	-	1220	M10	35	1900	2.3
KMT38	-	M190x3	212	225	214	192	32	16	7	-	1280	M10	35	2050	2.4
KMT40	-	M200x3	222	235	224	202	32	18	8	-	1340	M10	35	2300	2.5