

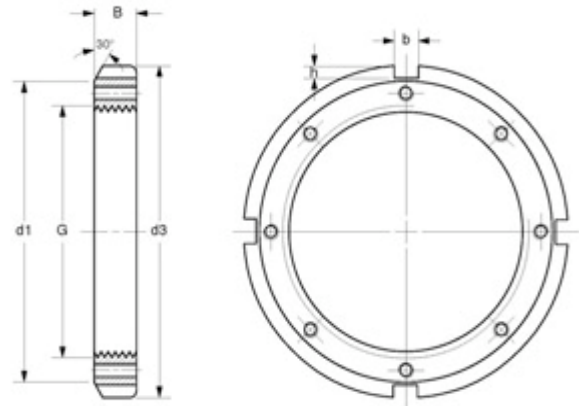
# Lock Nut 锁紧螺母

## HM (HN), HML (HNL) Series



Thread Size

G=Tr560×6 to Tr1120×8



MVB		Dimensions (mm)						Weight	Appertaining
Item No.	Interchangeable No	G	d1	d3	B	b	h	(kg)	Lock Clip
HML/560	HNL/560	Tr560×6	610	650	75	40	20	51	MSL/560
HM/560	HN/560	Tr560×6	650	710	85	45	25	97	MS/560
HML/600	HNL/600	Tr600×6	660	700	75	40	20	59	MSL/560
HM/600	HN/600	Tr600×6	690	750	85	45	25	102	MS/560
HML/630	HNL/630	Tr630×6	690	730	75	45	20	63	MSL/630
HM/630	HN/630	Tr630×6	730	800	95	50	28	115	MS/630
HML/670	HNL/670	Tr670×6	740	780	80	45	20	78	MSL/670
HM/670	HN/670	Tr670×6	775	850	106	50	28	174	MS/670
HML/710	HNL/710	Tr710×7	780	830	90	50	25	98	MSL/710
HM/710	HN/710	Tr710×7	825	900	106	55	30	196	MS/710
HML/750	HNL/750	Tr750×7	820	870	90	55	25	105	MSL/750
HM/750	HN/750	Tr750×7	875	950	112	60	34	231	MS/750
HML/800	HNL/800	Tr800×7	870	920	90	55	25	112	MSL/800
HM/800	HN/800	Tr800×7	925	1000	112	60	34	245	MS/800
HML/850	HNL/850	Tr850×7	925	980	90	60	25	130	MSL/850
HM/850	HN/850	Tr850×7	975	1060	118	70	38	289	MS/850
HML/900	HNL/900	Tr900×7	975	1030	100	60	25	152	MSL/850
HM/900	HN/900	Tr900×7	1030	1120	125	70	38	340	MS/900
HML/950	HNL/950	Tr950×8	1025	1080	100	60	25	163	MSL/950
HM/950	HN/950	Tr950×8	1080	1170	125	70	38	359	MS/950
HML/1000	HNL/1000	Tr1000×8	1085	1140	100	60	25	184	MSL/1000
HM/1000	HN/1000	Tr1000×8	1140	1240	125	70	38	413	MS/1000
HML/1060	HNL/1060	Tr1060×8	1145	1200	100	60	25	195	MSL/1000
HM/1060	HN/1060	Tr1060×8	1210	1300	125	70	38	436	MS/1000
HML/1120	HNL/1120	Tr1120×8	1205	1260	100	60	25	205	MSL/560