

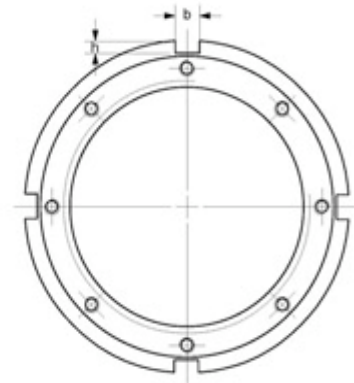
Lock Nut 锁紧螺母

HM (HN), HML (HNL) Series



Thread Size

G=Tr205×4 to Tr365×5



MVB		Dimensions (mm)						Weight	Appertaining	
Item No.	Interchangeable No	G	d1	d3	B	b	h	(kg)	Lock Clip (MS,MSL)	Lock Washer (MB)
HML41	ANL41	Tr205×4	232	250	30	18	8	4.2	-	-
HM42	AN42	Tr210×4	238	270	30	20	10	5.1	MB42	MB42
HML43	ANL43	Tr215×4	242	260	30	20	9	4.35	-	-
HML44	ANL44	Tr220×4	242	260	30	20	9	3.4	MSL44	MSL44
HM44	AN44	Tr220×4	250	280	32	20	10	4.75	MB44	MB44
HM46	AN46	Tr230×4	260	290	34	20	10	5.45	-	-
HML47	ANL47	Tr235×4	262	280	34	20	9	5.3	-	-
HML48	ANL48	Tr240×4	270	290	34	20	10	4.85	MSL48	MSL48
HM48	AN48	Tr240×4	270	300	34	20	10	5.6	MB48	MB48
HM50	AN50	Tr250×4	290	320	36	20	10	7.45	-	-
HML52	ANL52	Tr260×4	290	310	34	20	10	5.15	MSL48	MSL48
HM52	AN52	Tr260×4	300	330	36	24	12	7.55	MB52	MB52
HML56	ANL56	Tr280×4	310	330	38	24	10	5.5	MSL56	MSL56
HM56	AN56	Tr280×4	320	350	38	24	12	8.65	MB56	MB56
HML60	ANL60	Tr300×4	336	360	42	24	12	7.25	MSL60	MSL60
HM60	AN60	Tr300×4	340	380	40	24	12	12	MS60	MS60
HM62	AN62	Tr310×4	350	390	42	24	12	13	-	-
HML64	ANL64	Tr320×5	356	390	42	24	12	10.5	MSL64	MSL64
HM64	AN64	Tr320×5	360	400	42	24	12	13.5	MS64	MS64
HM66	AN66	Tr330×5	380	420	52	28	15	20	-	-
HML68	ANL68	Tr340×5	376	400	45	24	12	13	MSL64	MSL64
HM68	AN68	Tr340×5	400	440	55	28	15	23.2	MS68	MS68
HML69	ANL69	Tr345×5	384	410	45	28	13	13	-	-
HM70	AN70	Tr350×5	410	450	55	28	15	25	-	-
HML72	ANL72	Tr360×5	394	420	45	28	13	14	MSL72	MSL72
HM72	AN72	Tr360×5	420	460	58	28	15	27	MS68	MS68
HML73	ANL73	Tr365×5	404	430	48	28	13	14	-	-