

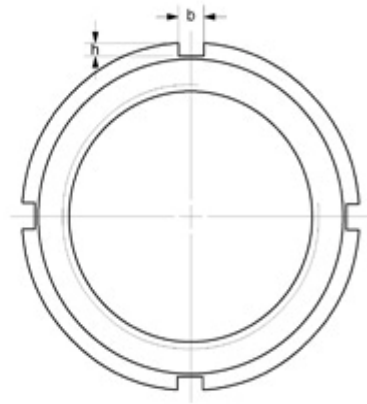
# Lock Nut 锁紧螺母

## KM (AN), KML (ANL) Series



Thread Size

G=M120×2 to M200×3



MVB		Dimensions (mm)						Weight	Appertaining	
Item No.	Interchangeable No	G	d1	d3	B	b	h	(kg)	Lock Washer	Interchangeable No
KML24	ANL24	M120×2	135	145	20	12	5	0.69	MBL24	AWL24
KM24	AN24	M120×2	138	155	20	12	5	0.98	MB24	AW24
KM25	AN25	M125×2	148	160	21	12	5	1.1	MB25	AW25
KML26	ANL26	M130×2	145	155	21	12	5	0.84	MBL26	AWL26
KM26	AN26	M130×2	149	165	21	12	5	1.2	MB26	AW26
KM27	AN27	M135×2	160	175	22	14	6	1.4	MB27	AW27
KML28	ANL28	M140×2	155	165	22	14	6	0.92	MBL28	AWL28
KM28	AN28	M140×2	160	180	22	14	6	1.4	MB28	AW28
KM29	AN29	M145×2	171	190	24	14	6	1.85	MB29	AW29
KML30	ANL30	M150×2	170	180	24	14	6	1.3	MBL30	AWL30
KM30	AN30	M150×2	171	195	24	14	6	1.85	MB30	AW30
KM31	AN31	M155×3	182	200	25	16	7	2.05	MB31	AW31
KML32	ANL32	M160×3	180	190	25	16	7	1.4	MBL32	AWL32
KM32	AN32	M160×3	182	210	25	16	7	2.25	MB32	AW32
KM33	AN33	M165×3	193	210	26	16	7	2.3	MB33	AW33
KML34	ANL34	M170×3	190	200	26	16	7	1.6	MBL34	AWL34
KM34	AN34	M170×3	193	220	26	16	7	2.25	MB34	AW34
KML36	ANL36	M180×3	200	210	27	18	7	1.8	MBL36	AWL36
KM36	AN36	M180×3	220	230	27	18	8	2.7	MB36	AW36
KML38	ANL38	M190×3	210	220	28	18	7	1.9	MBL38	AWL38
KM38	AN38	M190×3	214	240	28	18	8	3	MB38	AW38
KML40	ANL40	M200×3	222	240	29	18	8	2.6	MBL40	AWL40
KM40	AN40	M200×3	226	250	29	18	8	3.3	MB40	AW40