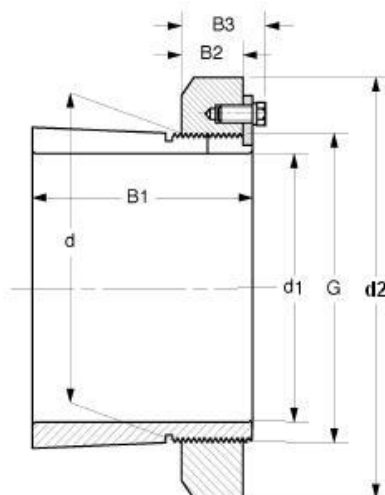


Adapter Sleeves 紧定套

Inch Dimensions SNP Series



Bore Size=8-15/16 to 13-5/16"



MVB	Dimensions (in)							Weight	Appertaining Device	
Item No.	d1	d (mm)	d2	B1	B2	B3	G	(kg)	Lock Nut	Lock Washer
SNP3048x8-15/16	8-15/16	240	11-7/16	5.432	1.354	1.698	9.442x6/in	14.5	N048	PL48
SNP3148x8-15/16	8-15/16	240	11-7/16	6.638	1.354	1.698	9.442x6/in	17	N048	PL48
SNP148x8-15/16	8-15/16	240	11-7/16	8.109	1.354	1.698	9.442x6/in	22	N048	PL48
SNP3052x9-7/16	9-7/16	260	12-3/16	6.109	1.416	1.76	10.192x6/in	18.6	N052	PL52
SNP3152x9-7/16	9-7/16	260	12-3/16	7.593	1.416	1.76	10.192x6/in	20	N052	PL52
SNP152x9-7/16	9-7/16	260	12-3/16	8.744	1.416	1.76	10.192x6/in	24.8	N052	PL52
SNP3052x9-1/2	9-1/2	260	12-3/16	6.019	1.416	1.76	10.192x6/in	18.6	N052	PL52
SNP3152x9-1/2	9-1/2	260	12-3/16	7.593	1.416	1.76	10.192x6/in	20	N052	PL52
SNP3056x9-15/16	9-15/16	280	13	6.191	1.51	1.854	11.004x6/in	20.6	N056	PL56
SNP3056x10	10	280	13	6.191	1.51	1.854	11.004x6/in	20.6	N056	PL56
SNP3156x10	10	280	13	7.766	1.51	1.854	11.004x6/in	21.1	N056	PL56
SNP3056x10-7/16	10-7/16	280	13	6.191	1.51	1.854	11.004x6/in	20.8	N056	PL56
SNP3256x10-7/16	10-7/16	280	13	8.947	1.51	1.854	11.004x6/in	26.8	N056	PL56
SNP3056x10-1/2	10-1/2	280	13	6.191	1.51	1.854	11.004x6/in	20.6	N056	PL56
SNP3060x10-15/16	10-15/16	300	14-3/16	6.727	1.573	1.948	11.785x6/in	27	N060	PL60
SNP3160x10-15/16	10-15/16	300	14-3/16	8.38	1.573	1.948	11.785x6/in	27	N060	PL60
SNP3260x10-15/16	10-15/16	300	14-3/16	9.64	1.573	1.948	11.785x6/in	31	N060	PL60
SNP3060x11	11	300	14-3/16	6.727	1.573	1.948	11.785x6/in	27	N060	PL60
SNP3260x11	11	300	14-3/16	9.64	1.573	1.948	11.785x6/in	31	N060	PL60
SNP3064x11-1/2	11-1/2	320	15	6.946	1.666	2.041	12.562x6/in	29.5	N064	PL64
SNP3064x11-15/16	11-15/16	320	15	6.946	1.666	2.041	12.562x6/in	29.5	N064	PL64
SNP3264x11-15/16	11-15/16	320	15	10.371	1.666	2.041	12.562x6/in	44.5	N064	PL64
SNP3164x12	12	320	15	9.111	1.666	2.041	12.562x6/in	33.6	N064	PL64
SNP3068x12-7/16	12-7/16	340	15-3/4	7.543	1.791	2.166	13.303x5/in	35.5	N068	PL68
SNP3168x12-7/16	12-7/16	340	15-3/4	9.787	1.791	2.166	13.303x5/in	59.5	N068	PL68
SNP3072x13-7/16	13-7/16	360	16-1/2	7.579	1.791	2.166	14.134x5/in	39	N072	PL72
SNP3172x13-7/16	13-7/16	360	16-1/2	9.862	1.791	2.166	14.134x5/in	64.5	N072	PL72
SNP3076x13-15/16	13-15/16	380	17-3/4	7.743	1.916	2.353	14.921x5/in	43	N076	PL76
SNP3176x13-15/16	13-15/16	380	17-3/4	10.066	1.916	2.353	14.921x5/in	70	N076	PL76