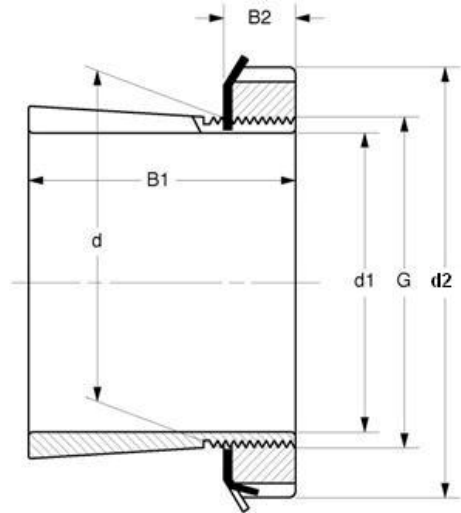


# Adapter Sleeves 紧定套

Inch Dimensions SNW Series



Bore Size=3/4 to 2-1/16"



MVB	Dimensions (in)						Weight	Appertaining Device	
Item No.	d1	d (mm)	d2	B1	B2	G	(kg)	Lock Nut	Lock Washer
SNW5x3/4	3/4	25	1-9/16	1.269	0.456	0.969x32/in	0.10	N05	W05
SNW6x15/16	15/16	30	1-3/4	1.353	0.456	1.173x18/in	0.10	N06	W06
SNW6x1	1	30	1-3/4	1.353	0.456	1.173x18/in	0.10	N06	W06
SNW7x1-1/8	1-1/8	35	2-1/16	1.459	0.487	1.376x18/in	0.16	N07	W07
SNW7x1-3/16	1-3/16	35	2-1/16	1.459	0.487	1.376x18/in	0.16	N07	W07
SNW7x1-1/4	1-1/4	35	2-1/16	1.459	0.487	1.376x18/in	0.16	N07	W07
SNW8x1-1/4	1-1/4	40	2-1/4	1.504	0.495	1.563x18/in	0.19	N08	W08
SNW8x1-3/8	1-3/8	40	2-1/4	1.504	0.495	1.563x18/in	0.19	N08	W08
SNW8x1-5/16	1-5/16	40	2-1/4	1.504	0.495	1.563x18/in	0.19	N08	W08
SNW9x1-3/8	1-3/8	45	2-17/32	1.584	0.495	1.767x18/in	0.28	N09	W09
SNW9x1-5/16	1-5/16	45	2-17/32	1.584	0.495	1.767x18/in	0.28	N09	W09
SNW9x1-7/16	1-7/16	45	2-17/32	1.584	0.495	1.767x18/in	0.28	N09	W09
SNW109x1-7/16	1-7/16	45	2-17/32	2.133	0.495	1.767x18/in	0.32	N09	W09
SNW109x1-1/2	1-1/2	45	2-17/32	2.133	0.495	1.767x18/in	0.32	N09	W09
SNW10x1-5/8	1-5/8	50	2-11/16	1.765	0.588	1.967x18/in	0.33	N10	W10
SNW10x1-11/16	1-11/16	50	2-11/16	1.765	0.588	1.967x18/in	0.33	N10	W10
SNW10x1-3/4	1-3/4	50	2-11/16	1.765	0.588	1.967x18/in	0.33	N10	W10
SNW110x1-11/16	1-11/16	50	2-11/16	2.394	0.588	1.967x18/in	0.39	N10	W10
SNW11x1-3/4	1-3/4	55	2-31/32	1.845	0.563	2.157x18/in	0.36	N11	W11
SNW11x1-13/16	1-13/16	55	2-31/32	1.845	0.563	2.157x18/in	0.36	N11	W11
SNW11x1-7/8	1-7/8	55	2-31/32	1.845	0.563	2.157x18/in	0.36	N11	W11
SNW11x1-15/16	1-15/16	55	2-31/32	1.845	0.563	2.157x18/in	0.36	N11	W11
SNW11x2	2	55	2-31/32	1.845	0.563	2.157x18/in	0.36	N11	W11
SNW111x2	2	55	2-31/32	2.516	0.563	2.157x18/in	0.43	N11	W11
SNW111x1-15/16	1-15/16	55	2-31/32	2.516	0.563	2.157x18/in	0.43	N11	W11
SNW12x2-1/16	2-1/16	60	3-5/32	1.989	0.594	2.360x18/in	0.59	N12	W12
SNW112x2-1/16	2-1/16	60	3-5/32	2.659	0.954	2.157x18/in	0.73	N12	W12