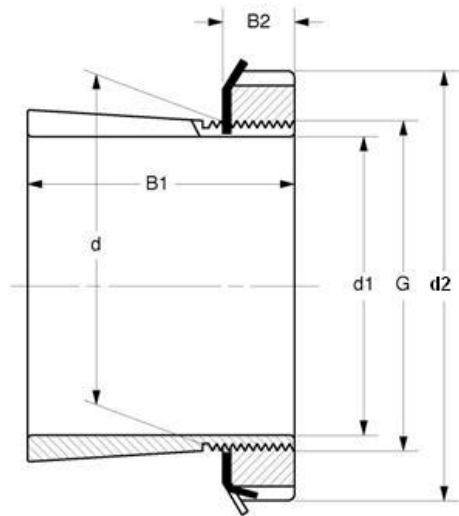


Adapter Sleeves 紧定套



Inch Shaft Size HA3000, HE3000, HS3000, HA2300, HE2300, HS2300, HA3100, HE3100, HS3100 Series

Bore Size=7 to 7-3/16"



MVB	Dimensions (mm)						Weight	Appertaining Device	
Item No.	d1 (in)	d	d2	B1	B2	G	(kg)	Lock Nut	Lock Washer
HE3040	7	200	240	120	32	M200×3	8.5	KML40	MBL40
HE3140		200	250	150	32	M200×3	10.8	KM40	MB40
HE2340		200	250	176	32	M200×3	12.6	KM40	MB40
HS3040	7-1/8	200	240	120	32	M200×3	9.35	KML40	MBL40
HS3140		200	250	150	32	M200×3	12.3	KM40	MB40
HS2340		200	250	176	32	M200×3	14.2	KM40	MB40
HA3040	7-3/16	200	240	120	32	M200×3	9.35	MBL40	MBL40
HA3140		200	250	150	32	M200×3	12.3	MB40	MB40
HA2340		200	250	176	32	M200×3	14.2	MB40	MB40

