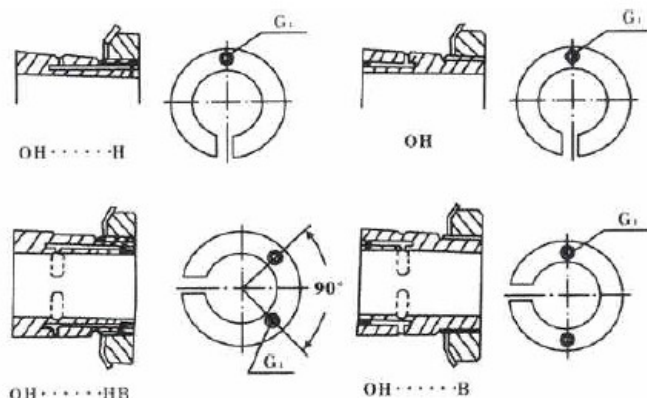
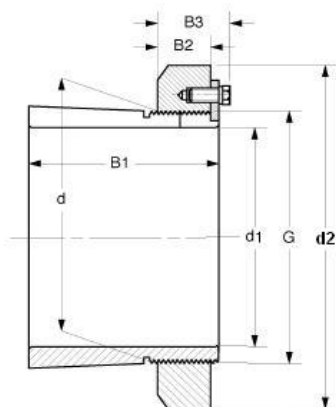


Hydraulic Adapter Sleeves 紧定套

H3900,H3000,H3100,H3200,OH3000,OH3100,OH3000,OH3900 Series



Bore Size=800 to 850mm



MVB	Dimensions (mm)								Weight	Appertaining Device	
Item No.	d1	d	d2	B1	B2	B3	G	G ₁	(kg)	Lock Nut	Lock Washer
H30/850	800	850	980	380	90	115	Tr850×7	-	341	HML/850	MSL/850
OH30/850	800	850	980	380	90	115	Tr850×7	M8	341	HML/850	MSL/850
OH30/850H	800	850	980	380	90	115	Tr850×7	M8	341	HML/850	MSL/850
OH30/850B	800	850	980	380	90	115	Tr850×7	M8	341	HML/850	MSL/850
OH30/850HB	800	850	980	380	90	115	Tr850×7	M8	341	HML/850	MSL/850
H31/850	800	850	1060	536	118	147	Tr850×7	-	616	HM/850	MS/850
OH31/850	800	850	1060	536	118	147	Tr850×7	M8	616	HM/850	MS/850
OH31/850H	800	850	1060	536	118	147	Tr850×7	M8	616	HM/850	MS/850
OH31/850B	800	850	1060	536	118	147	Tr850×7	M8	616	HM/850	MS/850
OH31/850HB	800	850	1060	536	118	147	Tr850×7	M8	616	HM/850	MS/850
H32/850	800	900	1030	651	118	147	Tr850×7	-	722	HM/850	MS/850
OH32/850	800	900	1030	651	118	147	Tr850×7	M8	722	HM/850	MS/850
OH32/850H	800	900	1030	651	118	147	Tr850×7	M8	722	HM/850	MS/850
OH32/850B	800	900	1030	651	118	147	Tr850×7	M8	722	HM/850	MS/850
OH32/850HB	800	900	1030	651	118	147	Tr850×7	M8	722	HM/850	MS/850
H39/900	850	900	1030	326	100	125	Tr900×7	-	330	HML/900	MSL/900
OH39/900	850	900	1030	326	100	125	Tr900×7	M8	330	HML/900	MSL/900
OH39/900H	850	900	1030	326	100	125	Tr900×7	M8	330	HML/900	MSL/900
OH39/900B	850	900	1030	326	100	125	Tr900×7	M8	330	HML/900	MSL/900
OH39/900HB	850	900	1030	326	100	125	Tr900×7	M8	330	HML/900	MSL/900
H30/900	850	900	1030	400	100	125	Tr900×7	-	387	HML/900	MSL/900
OH30/900	850	900	1030	400	100	125	Tr900×7	M8	387	HML/900	MSL/900
OH30/900H	850	900	1030	400	100	125	Tr900×7	M8	387	HML/900	MSL/900
OH30/900B	850	900	1030	400	100	125	Tr900×7	M8	387	HML/900	MSL/900
OH30/900HB	850	900	1030	400	100	125	Tr900×7	M8	387	HML/900	MSL/900
H31/900	850	900	1120	557	125	154	Tr900×7	-	780	HM/900	MS/900
OH31/900	850	900	1120	557	125	154	Tr900×7	M8	780	HM/900	MS/900
OH31/900H	850	900	1120	557	125	154	Tr900×7	M8	780	HM/900	MS/900
OH31/900B	850	900	1120	557	125	154	Tr900×7	M8	780	HM/900	MS/900
OH31/900HB	850	900	1120	557	125	154	Tr900×7	M8	780	HM/900	MS/900