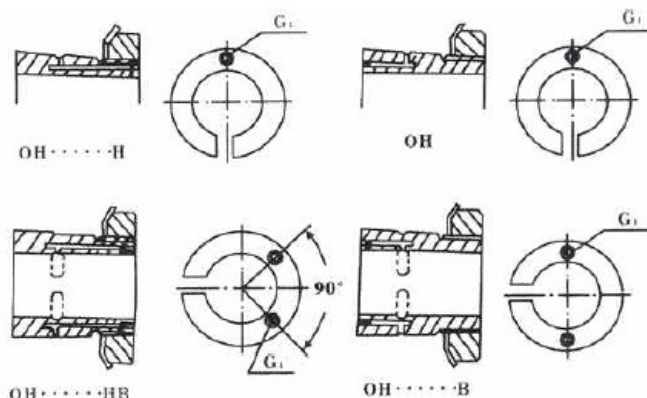
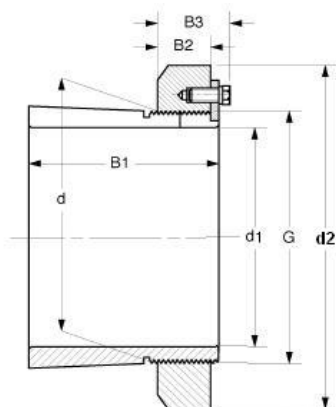


Hydraulic Adapter Sleeves 紧定套

H3900,H3000,H3100,H3200,OH3000,OH3100,OH3000,OH3900 Series



Bore Size=710 to 800mm



MVB	Dimensions (mm)								Weight	Appertaining Device	
Item No.	d1	d	d2	B1	B2	B3	G	G ₁	(kg)	Lock Nut	Lock Washer
H32/750	710	750	950	603	112	141	Tr750×7	-	526	HM/750	MS/750
OH32/750	710	750	950	603	112	141	Tr750×7	M8	526	HM/750	MS/750
OH32/750H	710	750	950	603	112	141	Tr750×7	M8	526	HM/750	MS/750
OH32/750B	710	750	950	603	112	141	Tr750×7	M8	526	HM/750	MS/750
OH32/750HB	710	750	950	603	112	141	Tr750×7	M8	526	HM/750	MS/750
H39/800	750	800	920	303	90	112	Tr800×7	-	259	HML/800	MSL/800
OH39/800	750	800	920	303	90	112	Tr800×7	M8	259	HML/800	MSL/800
OH39/800H	750	800	920	303	90	112	Tr800×7	M8	259	HML/800	MSL/800
OH39/800B	750	800	920	303	90	112	Tr800×7	M8	259	HML/800	MSL/800
OH39/800HB	750	800	920	303	90	112	Tr800×7	M8	259	HML/800	MSL/800
H30/800	750	800	920	366	90	112	Tr800×7	-	302	HML/800	MSL/800
OH30/800	750	800	920	366	90	112	Tr800×7	M8	302	HML/800	MSL/800
OH30/800H	750	800	920	366	90	112	Tr800×7	M8	302	HML/800	MSL/800
OH30/800B	750	800	920	366	90	112	Tr800×7	M8	302	HML/800	MSL/800
OH30/800HB	750	800	920	366	90	112	Tr800×7	M8	302	HML/800	MSL/800
H39/750	750	800	1000	505	112	141	Tr800×7	-	535	HM/800	MS800
OH39/750	750	800	1000	505	112	141	Tr800×7	M8	535	HM/800	MS800
OH39/750H	750	800	1000	505	112	141	Tr800×7	M8	535	HM/800	MS800
OH39/750B	750	800	1000	505	112	141	Tr800×7	M8	535	HM/800	MS800
OH39/750HB	750	800	1000	505	112	141	Tr800×7	M8	535	HM/800	MS800
H32/800	750	800	1000	618	112	141	Tr800×7	-	629	HM/800	MS800
OH38/800	750	800	1000	618	112	141	Tr800×7	M8	629	HM/800	MS800
OH38/800H	750	800	1000	618	112	141	Tr800×7	M8	629	HM/800	MS800
OH38/800B	750	800	1000	618	112	141	Tr800×7	M8	629	HM/800	MS800
OH38/800HB	750	800	1000	618	112	141	Tr800×7	M8	629	HM/800	MS800
H31/750	800	850	980	308	90	115	Tr850×7	-	288	HML/850	MSL/850
OH31/750	800	850	980	308	90	115	Tr850×7	M8	288	HML/850	MSL/850
OH31/750H	800	850	980	308	90	115	Tr850×7	M8	288	HML/850	MSL/850
OH31/750B	800	850	980	308	90	115	Tr850×7	M8	288	HML/850	MSL/850
OH31/750HB	800	850	980	308	90	115	Tr850×7	M8	288	HML/850	MSL/850