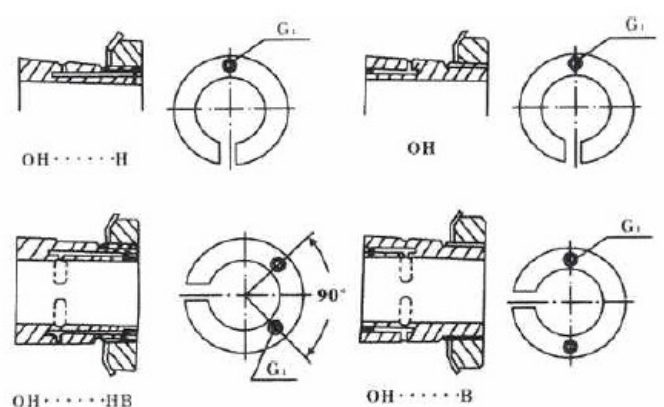
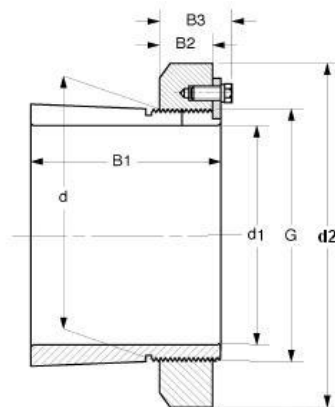


Hydraulic Adapter Sleeves 紧定套

H3900,H3000,H3100,H3200,OH3000,OH3100,OH3000,OH3900 Series



Bore Size=600 to 670mm



MVB	Dimensions (mm)								Weight	Appertaining Device	
Item No.	d1	d	d2	B1	B2	B3	G	G ₁	(kg)	Lock Nut	Lock Washer
H32/630	600	630	800	521	95	120	Tr630×6	-	300	HM/630	MS/630
OH32/630	600	630	800	521	95	120	Tr630×6	M8	300	HM/630	MS/630
OH32/630H	600	630	800	521	95	120	Tr630×6	M8	300	HM/630	MS/630
OH32/630B	600	630	800	521	95	120	Tr630×6	M8	300	HM/630	MS/630
OH32/630HB	600	630	800	521	95	120	Tr630×6	M8	300	HM/630	MS/630
H39/670	630	670	780	264	80	102	Tr670×6	-	162	HML/670	MSL/670
OH39/670	630	670	780	264	80	102	Tr670×6	M8	162	HML/670	MSL/670
OH39/670H	630	670	780	264	80	102	Tr670×6	M8	162	HML/670	MSL/670
OH39/670B	630	670	780	264	80	102	Tr670×6	M8	162	HML/670	MSL/670
OH39/670HB	630	670	780	264	80	102	Tr670×6	M8	162	HML/670	MSL/670
H30/670	630	670	780	324	80	102	Tr670×6	-	190	HML/670	MSL/670
OH30/670	630	670	780	324	80	102	Tr670×6	M8	190	HML/670	MSL/670
OH30/670H	630	670	780	324	80	102	Tr670×6	M8	190	HML/670	MSL/670
OH30/670B	630	670	780	324	80	102	Tr670×6	M8	190	HML/670	MSL/670
OH30/670HB	630	670	780	324	80	102	Tr670×6	M8	190	HML/670	MSL/670
H31/670	630	670	850	456	106	131	Tr670×6	-	340	HM/670	MSL/670
OH31/670	630	670	850	456	106	131	Tr670×6	M8	340	HM/670	MSL/670
OH31/670H	630	670	850	456	106	131	Tr670×6	M8	340	HM/670	MSL/670
OH31/670B	630	670	850	456	106	131	Tr670×6	M8	340	HM/670	MSL/670
OH31/670HB	630	670	850	456	106	131	Tr670×6	M8	340	HM/670	MSL/670
H32/670	630	670	850	558	106	131	Tr670×6	-	401	HM/670	MSL/670
OH32/670	630	670	850	558	106	131	Tr670×6	M8	401	HM/670	MSL/670
OH32/670H	630	670	850	558	106	131	Tr670×6	M8	401	HM/670	MSL/670
OH32/670B	630	670	850	558	106	131	Tr670×6	M8	401	HM/670	MSL/670
OH32/670HB	630	670	850	558	106	131	Tr670×6	M8	401	HM/670	MSL/670
H39/710	670	710	830	286	90	112	Tr710×7	-	183	HML/710	MSL/710
OH39/710	670	710	830	286	90	112	Tr710×7	M8	183	HML/710	MSL/710
OH39/710H	670	710	830	286	90	112	Tr710×7	M8	183	HML/710	MSL/710
OH39/710B	670	710	830	286	90	112	Tr710×7	M8	183	HML/710	MSL/710
OH39/710HB	670	710	830	286	90	112	Tr710×7	M8	183	HML/710	MSL/710