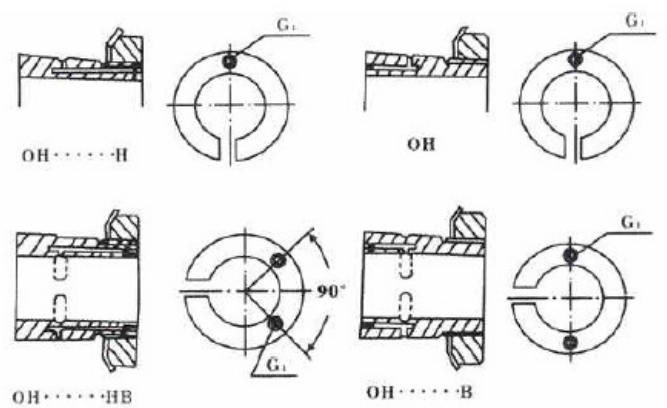
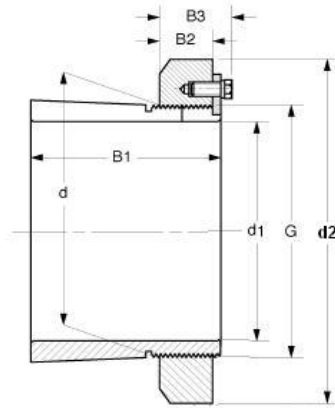


Hydraulic Adapter Sleeves 紧定套

H3900,H3000,H3100,H3200,OH3000,OH3100,OH3000,OH3900 Series



Bore Size=560 to 600mm



MVB	Dimensions (mm)								Weight	Appertaining Device	
Item No.	d ₁	d	d ₂	B ₁	B ₂	B ₃	G	G ₁	(kg)	Lock Nut	Lock Washer
H30/600	560	600	700	289	75	97	Tr600×6	-	147	HML/600	MSL/600
OH30/600	560	600	700	289	75	97	Tr600×6	M8	147	HML/600	MSL/600
OH30/600H	560	600	700	289	75	97	Tr600×6	M8	147	HML/600	MSL/600
OH30/600B	560	600	700	289	75	97	Tr600×6	M8	147	HML/600	MSL/600
OH30/600HB	560	600	700	289	75	97	Tr600×6	M8	147	HML/600	MSL/600
H31/600	560	600	750	399	85	110	Tr600×6	-	234	HM/600	MS/600
OH31/600	560	600	750	399	85	110	Tr600×6	M8	234	HM/600	MS/600
OH31/600H	560	600	750	399	85	110	Tr600×6	M8	234	HM/600	MS/600
OH31/600B	560	600	750	399	85	110	Tr600×6	M8	234	HM/600	MS/600
OH31/600HB	560	600	750	399	85	110	Tr600×6	M8	234	HM/600	MS/600
H32/600	560	600	750	487	85	110	Tr600×6	-	278	HM/600	MS/600
OH32/600	560	600	750	487	85	110	Tr600×6	M8	278	HM/600	MS/600
OH32/600H	560	600	750	487	85	110	Tr600×6	M8	278	HM/600	MS/600
OH32/600B	560	600	750	487	85	110	Tr600×6	M8	278	HM/600	MS/600
OH32/600HB	560	600	750	487	85	110	Tr600×6	M8	278	HM/600	MS/600
H39/630	600	630	730	254	75	97	Tr630×6	-	124	HML/630	MSL/630
OH39/630	600	630	730	254	75	97	Tr630×6	M8	124	HML/630	MSL/630
OH39/630H	600	630	730	254	75	97	Tr630×6	M8	124	HML/630	MSL/630
OH39/630B	600	630	730	254	75	97	Tr630×6	M8	124	HML/630	MSL/630
OH39/360HB	600	630	730	254	75	97	Tr630×6	M8	124	HML/630	MSL/630
H30/630	600	630	730	301	75	97	Tr630×6	-	138	HML/630	MSL/630
OH30/630	600	630	730	301	75	97	Tr630×6	M8	138	HML/630	MSL/630
OH30/630H	600	630	730	301	75	97	Tr630×6	M8	138	HML/630	MSL/630
OH30/630B	600	630	730	301	75	97	Tr630×6	M8	138	HML/630	MSL/630
OH30/630HB	600	630	730	301	75	97	Tr630×6	M8	138	HML/630	MSL/630
H31/630	600	630	800	424	95	120	Tr630×6	-	254	HML/630	MS/630
OH31/630	600	630	800	424	95	120	Tr630×6	M8	254	HML/630	MS/630
OH31/630H	600	630	800	424	95	120	Tr630×6	M8	254	HML/630	MS/630
OH31/630B	600	630	800	424	95	120	Tr630×6	M8	254	HML/630	MS/630
OH31/630HB	600	630	800	424	95	120	Tr630×6	M8	254	HML/630	MS/630