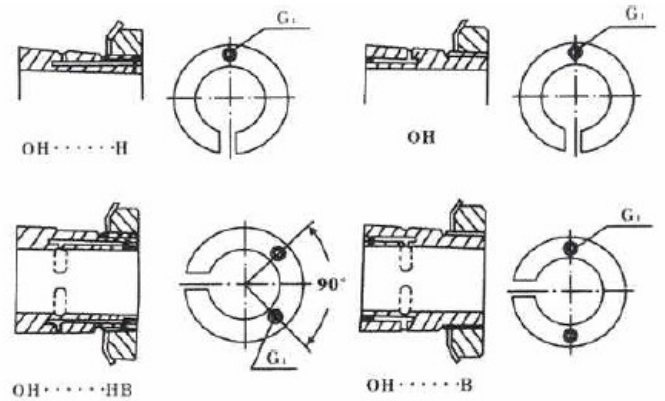
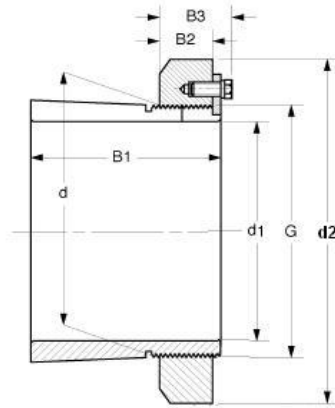


Hydraulic Adapter Sleeves 紧定套

H3900,H3000,H3100,H3200,OH3000,OH3100,OH3000,OH3900 Series



Bore Size=500 to 560mm



MVB	Dimensions (mm)								Weight	Appertaining Device	
Item No.	d1	d	d2	B1	B2	B3	G	G ₁	(kg)	Lock Nut	Lock Washer
H32/530	500	530	447	447	80	105	Tr530×6	-	192	HM/530	MS/530
OH32/530	500	530	447	447	80	105	Tr530×6	M8	192	HM/530	MS/530
OH32/530H	500	530	447	447	80	105	Tr530×6	M8	192	HM/530	MS/530
OH32/530B	500	530	447	447	80	105	Tr530×6	M8	192	HM/530	MS/530
OH32/530HB	500	530	447	447	80	105	Tr530×6	M8	192	HM/530	MS/530
H39/560	530	560	227	227	75	97	Tr560×6	-	95	HML/560	MSL/560
OH39/560	530	560	227	227	75	97	Tr560×6	M8	95	HML/560	MSL/560
OH39/560H	530	560	227	227	75	97	Tr560×6	M8	95	HML/560	MSL/560
OH39/560B	530	560	227	227	75	97	Tr560×6	M8	95	HML/560	MSL/560
OH39/560HB	530	560	227	227	75	97	Tr560×6	M8	95	HML/560	MSL/560
H30/560	530	560	282	282	75	97	Tr560×6	-	112	HML/560	MSL/560
OH30/560	530	560	282	282	75	97	Tr560×6	M8	112	HML/560	MSL/560
OH30/560H	530	560	282	282	75	97	Tr560×6	M8	112	HML/560	MSL/560
OH30/560B	530	560	282	282	75	97	Tr560×6	M8	112	HML/560	MSL/560
OH30/560HB	530	560	282	282	75	97	Tr560×6	M8	112	HML/560	MSL/560
H31/560	530	710	377	377	85	110	Tr560×6	-	185	HM/560	MS/560
OH31/560	530	710	377	377	85	110	Tr560×6	M8	185	HM/560	MS/560
OH31/560H	530	710	377	377	85	110	Tr560×6	M8	185	HM/560	MS/560
OH31/560B	530	710	377	377	85	110	Tr560×6	M8	185	HM/560	MS/560
OH31/560HB	530	710	377	377	85	110	Tr560×6	M8	185	HM/560	MS/560
H32/560	530	710	462	462	85	110	Tr560×6	-	219	HM/560	MS/560
OH32/560	530	710	462	462	85	110	Tr560×6	M8	219	HM/560	MS/560
OH32/560H	530	710	462	462	85	110	Tr560×6	M8	219	HM/560	MS/560
OH32/560B	530	710	462	462	85	110	Tr560×6	M8	219	HM/560	MS/560
OH32/560HB	530	710	462	462	85	110	Tr560×6	M8	219	HM/560	MS/560
H39/600	560	710	239	239	75	97	Tr600×6	-	127	HM/600	MSL/600
OH39/600	560	710	239	239	75	97	Tr600×6	M8	127	HM/600	MSL/600
OH39/600H	560	710	239	239	75	97	Tr600×6	M8	127	HM/600	MSL/600
OH39/600B	560	710	239	239	75	97	Tr600×6	M8	127	HM/600	MSL/600
OH39/600HB	560	710	239	239	75	97	Tr600×6	M8	127	HM/600	MSL/600