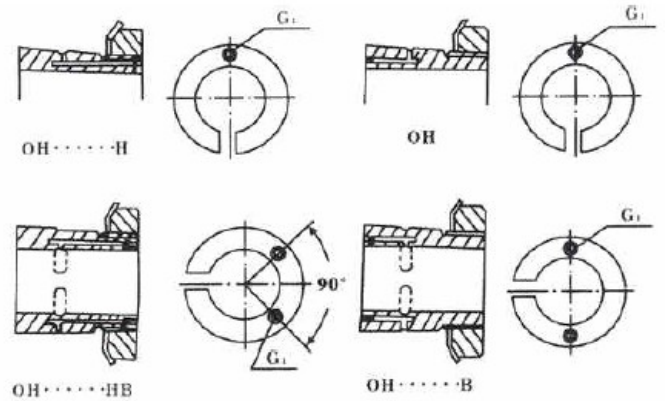
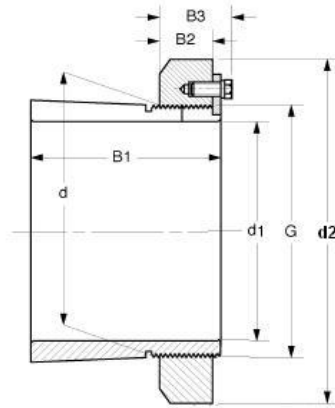


Hydraulic Adapter Sleeves 紧定套

H3900,H3000,H3100,H3200,OH3000,OH3100,OH3000,OH3900 Series



Bore Size=410 to 430mm



MVB	Dimensions (mm)								Weight	Appertaining Device	
Item No.	d1	d	d2	B1	B2	B3	G	G ₁	(kg)	Lock Nut	Lock Washer
H3088	410	440	520	228	66	77	Tr440×5	-	65	HML88	MSL88
OH3088	410	440	520	228	66	77	Tr440×5	M8	65	HML88	MSL88
OH3088H	410	440	520	228	66	77	Tr440×5	M8	65	HML88	MSL88
OH3088B	410	440	520	228	66	77	Tr440×5	M8	65	HML88	MSL88
OH3088HB	410	440	520	228	66	77	Tr440×5	M8	65	HML88	MSL88
H3188	410	440	560	307	70	90	Tr440×5	-	95	HM88	MS88
OH3188	410	440	560	307	70	90	Tr440×5	M8	95	HM88	MS88
OH3188H	410	440	560	307	70	90	Tr440×5	M8	95	HM88	MS88
OH3188B	410	440	560	307	70	90	Tr440×5	M8	95	HM88	MS88
OH3188HB	410	440	560	307	70	90	Tr440×5	M8	95	HM88	MS88
H3288	410	440	560	361	70	90	Tr440×5	-	117	HM88	MS88
OH3288	410	440	560	361	70	90	Tr440×5	M8	117	HM88	MS88
OH3288H	410	440	560	361	70	90	Tr440×5	M8	117	HM88	MS88
OH3288B	410	440	560	361	70	90	Tr440×5	M8	117	HM88	MS88
OH3288HB	410	440	560	361	70	90	Tr440×5	M8	117	HM88	MS88
H3992	430	460	540	189	60	77	Tr460×5	-	60	HML92	MSL92
OH3992	430	460	540	189	60	77	Tr460×5	M8	60	HML92	MSL92
OH3992H	430	460	540	189	60	77	Tr460×5	M8	60	HML92	MSL92
OH3992B	430	460	540	189	60	77	Tr460×5	M8	60	HML92	MSL92
OH3992HB	430	460	540	189	60	77	Tr460×5	M8	60	HML92	MSL92
H3092	430	460	540	234	60	77	Tr460×5	-	71	HML92	MSL92
OH3092	430	460	540	234	60	77	Tr460×5	M8	71	HML92	MSL92
OH3092	430	460	540	234	60	77	Tr460×5	M8	71	HML92	MSL92
OH3092B	430	460	540	234	60	77	Tr460×5	M8	71	HML92	MSL92
OH3092HB	430	460	540	234	60	77	Tr460×5	M8	71	HML92	MSL92
H3192	430	460	580	326	75	95	Tr460×5	-	119	HM92	MS92
OH3192	430	460	580	326	75	95	Tr460×5	M8	119	HM92	MS92
OH3192H	430	460	580	326	75	95	Tr460×5	M8	119	HM92	MS92
OH3192B	430	460	580	326	75	95	Tr460×5	M8	119	HM92	MS92
OH3192HB	430	460	580	326	75	95	Tr460×5	M8	119	HM92	MS92