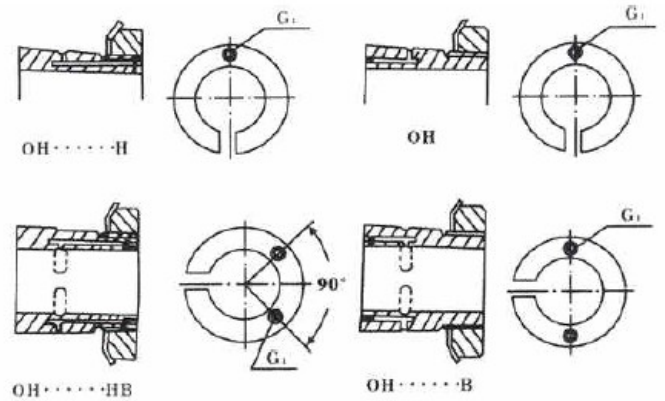
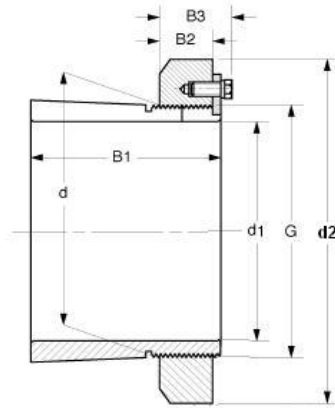


Hydraulic Adapter Sleeves 紧定套

H3900,H3000,H3100,H3200,OH3000,OH3100,OH3000,OH3900 Series



Bore Size=320 to 360mm



MVB	Dimensions (mm)								Weight	Appertaining Device	
Item No.	d ₁	d	d ₂	B ₁	B ₂	B ₃	G	G ₁	(kg)	Lock Nut	Lock Washer
H3268	320	340	440	288	55	72	Tr340×5	-	51.5	HM68	MS68
OH3268	320	340	440	288	55	72	Tr340×5	M6	51.5	HM68	MS68
OH3268H	320	340	440	288	55	72	Tr340×5	M6	51.5	HM68	MS68
OH3268B	320	340	440	288	55	72	Tr340×5	M6	51.5	HM68	MS68
OH3268HB	320	340	440	288	55	72	Tr340×5	M6	51.5	HM68	MS68
H3972	340	360	420	144	45	58	Tr360×5	-	25.2	HML72	MSL72
OH3972	340	360	420	144	45	58	Tr360×5	M6	25.2	HML72	MSL72
OH3972H	340	360	420	144	45	58	Tr360×5	M6	25.2	HML72	MSL72
OH3972B	340	360	420	144	45	58	Tr360×5	M6	25.2	HML72	MSL72
OH3972HB	340	360	420	144	45	58	Tr360×5	M6	25.2	HML72	MSL72
H3072	340	360	420	188	45	58	Tr360×5	-	29	HML72	MSL72
OH3072	340	360	420	188	45	58	Tr360×5	M6	29	HML72	MSL72
OH3072H	340	360	420	188	45	58	Tr360×5	M6	29	HML72	MSL72
OH3072B	340	360	420	188	45	58	Tr360×5	M6	29	HML72	MSL72
OH3072HB	340	360	420	188	45	58	Tr360×5	M6	29	HML72	MSL72
H3172	340	360	460	259	58	75	Tr360×5	-	56	HM72	MS72
OH3172	340	360	460	259	58	75	Tr360×5	M6	56	HM72	MS72
OH3172H	340	360	460	259	58	75	Tr360×5	M6	56	HM72	MS72
OH3172B	340	360	460	259	58	75	Tr360×5	M6	56	HM72	MS72
OH3172HB	340	360	460	259	58	75	Tr360×5	M6	56	HM72	MS72
H3272	340	360	460	299	58	75	Tr360×5	-	60.5	HM72	MS72
OH3272	340	360	460	299	58	75	Tr360×5	M6	60.5	HM72	MS72
OH3272H	340	360	460	299	58	75	Tr360×5	M6	60.5	HM72	MS72
OH3272B	340	360	460	299	58	75	Tr360×5	M6	60.5	HM72	MS72
OH3272HB	340	360	460	299	58	75	Tr360×5	M6	60.5	HM72	MS72
H3976	360	380	450	164	48	62	Tr380×5	-	31.5	HML76	MSL76
OH3976	360	380	450	164	48	62	Tr380×5	M6	31.5	HML76	MSL76
OH3976H	360	380	450	164	48	62	Tr380×5	M6	31.5	HML76	MSL76
OH3976B	360	380	450	164	48	62	Tr380×5	M6	31.5	HML76	MSL76
OH3976HB	360	380	450	164	48	62	Tr380×5	M6	31.5	HML76	MSL76