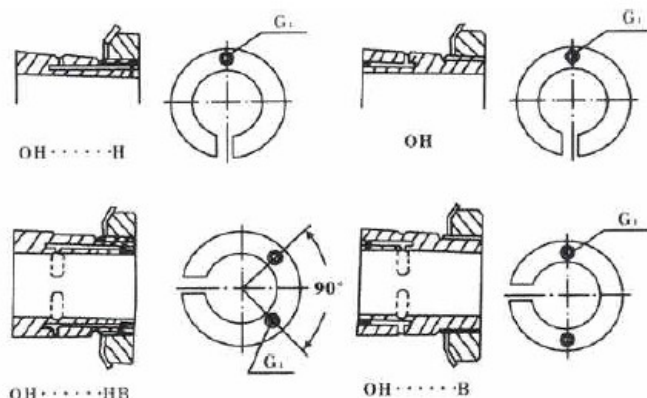
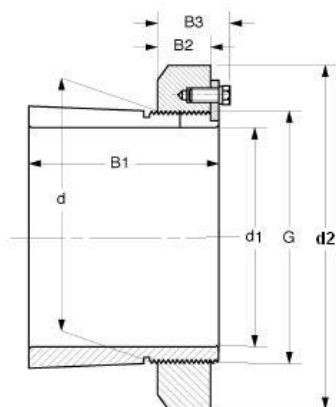


Hydraulic Adapter Sleeves 紧定套

H3900,H3000,H3100,H3200,OH3000,OH3100,OH3000,OH3900 Series



Bore Size=300 to 320mm



MVB	Dimensions (mm)								Weight	Appertaining Device	
Item No.	d1	d	d2	B1	B2	B3	G	G ₁	(kg)	Lock Nut	Lock Washer
H3064	300	320	380	171	42	55	Tr320×5	-	22	HML64	MSL64
OH3064	300	320	380	171	42	55	Tr320×5	M6	22	HML64	MSL64
OH3064H	300	320	380	171	42	55	Tr320×5	M6	22	HML64	MSL64
OH3064B	300	320	380	171	42	55	Tr320×5	M6	22	HML64	MSL64
OH3064HB	300	320	380	171	42	55	Tr320×5	M6	22	HML64	MSL64
H3164	300	320	400	226	42	56	Tr320×5	-	32	HM64	MS64
OH3164	300	320	400	226	42	56	Tr320×5	M6	32	HM64	MS64
OH3164H	300	320	400	226	42	56	Tr320×5	M6	32	HM64	MS64
OH3164B	300	320	400	226	42	56	Tr320×5	M6	32	HM64	MS64
OH3164HB	300	320	400	226	42	56	Tr320×5	M6	32	HM64	MS64
H3264	300	320	400	258	42	56	Tr320×5	-	35	HM64	MS64
OH3264	300	320	400	258	42	56	Tr320×5	M6	35	HM64	MS64
OH3264H	300	320	400	258	42	56	Tr320×5	M6	35	HM64	MS64
OH3264B	300	320	400	258	42	56	Tr320×5	M6	35	HM64	MS64
OH3264HB	300	320	400	258	42	56	Tr320×5	M6	35	HM64	MS64
H3968	320	340	400	144	45	58	Tr340×5	-	24.5	HML68	MSL68
OH3968	320	340	400	144	45	58	Tr340×5	M6	24.5	HML68	MSL68
OH3968H	320	340	400	144	45	58	Tr340×5	M6	24.5	HML68	MSL68
OH3968B	320	340	400	144	45	58	Tr340×5	M6	24.5	HML68	MSL68
OH3968HB	320	340	400	144	45	58	Tr340×5	M6	24.5	HML68	MSL68
H3068	320	340	400	187	45	58	Tr340×5	-	27	HML68	MSL68
OH3068	320	340	400	187	45	58	Tr340×5	M6	27	HML68	MSL68
OH3068H	320	340	400	187	45	58	Tr340×5	M6	27	HML68	MSL68
OH3068B	320	340	400	187	45	58	Tr340×5	M6	27	HML68	MSL68
OH3068HB	320	340	400	187	45	58	Tr340×5	M6	27	HML68	MSL68
H3168	320	340	440	254	55	72	Tr340×5	-	50	HM68	MS68
OH3168	320	340	440	254	55	72	Tr340×5	M6	50	HM68	MS68
OH3168H	320	340	440	254	55	72	Tr340×5	M6	50	HM68	MS68
OH3168B	320	340	440	254	55	72	Tr340×5	M6	50	HM68	MS68
OH3168HB	320	340	440	254	55	72	Tr340×5	M6	50	HM68	MS68