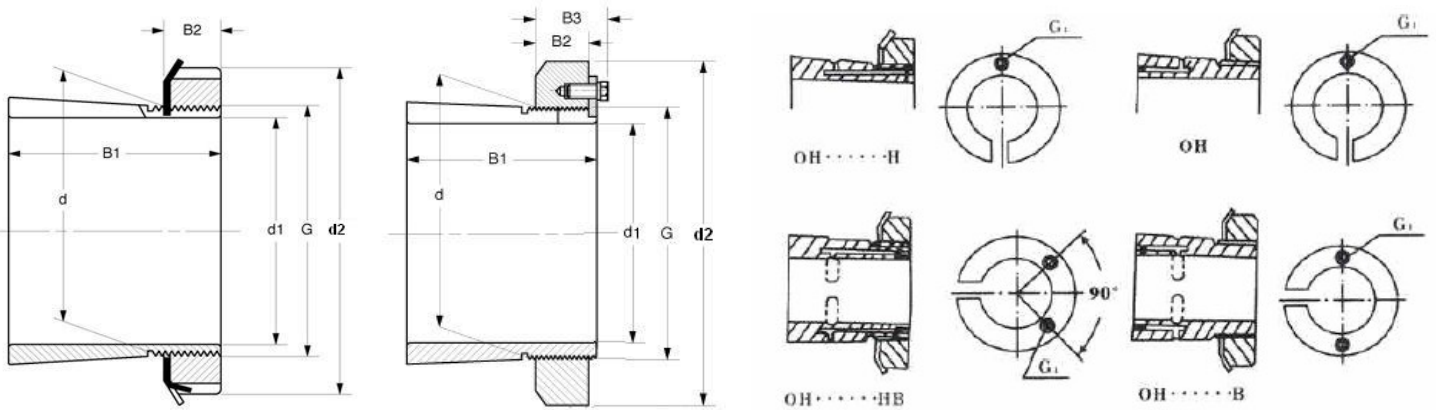


# Hydraulic Adapter Sleeves 紧定套



H3900,H3000,H3100,H2300,H3200,OH3000,OH3100,OH2300,OH3000,OH3900 Series

Bore Size=260 to 300mm



MVB	Dimensions (mm)								Weight	Appertaining Device	
Item No.	d <sub>1</sub>	d	d <sub>2</sub>	B <sub>1</sub>	B <sub>2</sub>	B <sub>3</sub>	G	G <sub>1</sub>	(kg)	Lock Nut	Lock Washer
H2356	260	280	350	224	41	-	Tr280×4	-	27	HM56	MB56
OH2356	260	280	350	224	41	-	Tr280×4	M6	27	HM56	MB56
OH2356H	260	280	350	224	41	-	Tr280×4	M6	27	HM56	MB56
OH2356B	260	280	350	224	41	-	Tr280×4	M6	27	HM56	MB56
OH2356HB	260	280	350	224	41	-	Tr280×4	M6	27	HM56	MB56
H3960	280	300	360	140	42	54	Tr300×4	-	20	HML60	MSL60
OH3960	280	300	360	140	42	54	Tr300×4	M6	20	HML60	MSL60
OH3960H	280	300	360	140	42	54	Tr300×4	M6	20	HML60	MSL60
OH3960B	280	300	360	140	42	54	Tr300×4	M6	20	HML60	MSL60
OH3960HB	280	300	360	140	42	54	Tr300×4	M6	20	HML60	MSL60
H3060	280	300	360	168	42	54	Tr300×4	-	20.5	HML60	MS60
OH3060	280	300	360	168	42	54	Tr300×4	M6	20.5	HML60	MS60
OH3060H	280	300	360	168	42	54	Tr300×4	M6	20.5	HML60	MS60
OH3060B	280	300	360	168	42	54	Tr300×4	M6	20.5	HML60	MS60
OH3060HB	280	300	360	168	42	54	Tr300×4	M6	20.5	HML60	MS60
H3160	280	300	380	208	40	53	Tr300×4	-	29	HM60	MS60
OH3160	280	300	380	208	40	53	Tr300×4	M6	29	HM60	MS60
OH3160H	280	300	380	208	40	53	Tr300×4	M6	29	HM60	MS60
OH3160B	280	300	380	208	40	53	Tr300×4	M6	29	HM60	MS60
OH3160HB	280	300	380	208	40	53	Tr300×4	M6	29	HM60	MS60
H3260	280	300	380	240	40	53	Tr300×4	-	32	HM60	MS60
OH3260	280	300	380	240	40	53	Tr300×4	M6	32	HM60	MS60
OH3260H	280	300	380	240	40	53	Tr300×4	M6	32	HM60	MS60
OH3260B	280	300	380	240	40	53	Tr300×4	M6	32	HM60	MS60
OH3260HB	280	300	380	240	40	53	Tr300×4	M6	32	HM60	MS60
H3964	300	320	380	140	42	55	Tr320×5	-	21.5	HML64	MSL64
OH3964	300	320	380	140	42	55	Tr320×5	M6	21.5	HML64	MSL64
OH3964H	300	320	380	140	42	55	Tr320×5	M6	21.5	HML64	MSL64
OH3964H	300	320	380	140	42	55	Tr320×5	M6	21.5	HML64	MSL64
OH3964HB	300	320	380	140	42	55	Tr320×5	M6	21.5	HML64	MSL64