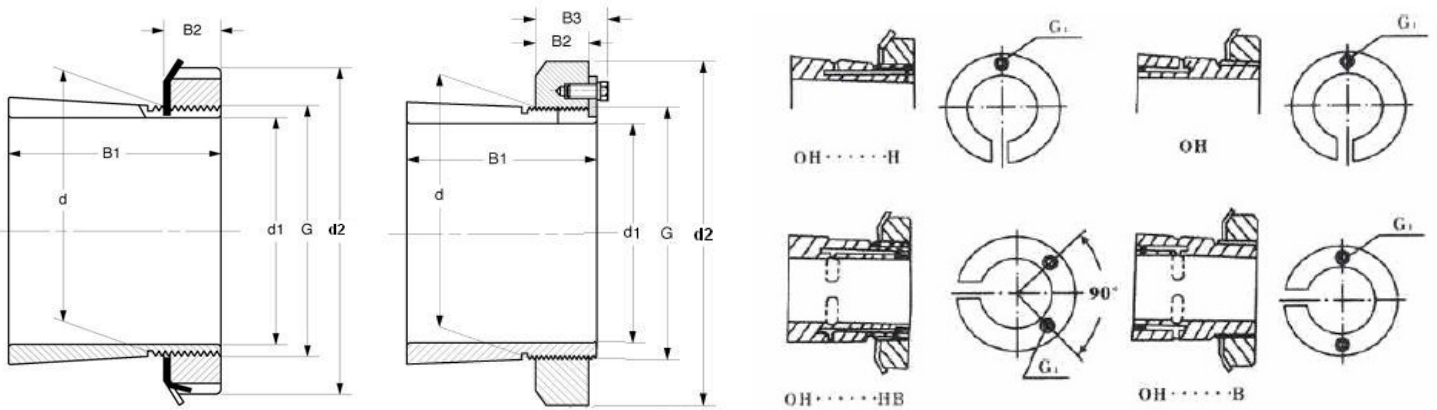


Hydraulic Adapter Sleeves 紧定套

H3900,H3000,H3100,H2300,OH3000,OH3100,OH2300,OH3900 Series



Bore Size=240 to 260mm



MVB	Dimensions (mm)								Weight	Appertaining Device	
Item No.	d1	d	d2	B1	B2	B3	G	G ₁	(kg)	Lock Nut	Lock Washer
H3052	240	260	310	145	34	46	Tr260×4	-	13.5	HML52	MSL52
OH3052	240	260	310	145	34	46	Tr260×4	M6	13.5	HML52	MSL52
OH3052H	240	260	310	145	34	46	Tr260×4	M6	13.5	HML52	MSL52
OH3052B	240	260	310	145	34	46	Tr260×4	M6	13.5	HML52	MSL52
OH3052HB	240	260	310	145	34	46	Tr260×4	M6	13.5	HML52	MSL52
H3152	240	260	330	190	39	-	Tr260×4	-	21	HM52	MB52
OH3152	240	260	330	190	39	-	Tr260×4	M6	21	HM52	MB52
OH3152H	240	260	330	190	39	-	Tr260×4	M6	21	HM52	MB52
OH3152B	240	260	330	190	39	-	Tr260×4	M6	21	HM52	MB52
OH3152HB	240	260	330	190	39	-	Tr260×4	M6	21	HM52	MB52
H2352	240	260	330	211	39	-	Tr260×4	-	23	HM52	MB52
OH2352	240	260	330	211	39	-	Tr260×4	M6	23	HM52	MB52
OH2352H	240	260	330	211	39	-	Tr260×4	M6	23	HM52	MB52
OH2352B	240	260	330	211	39	-	Tr260×4	M6	23	HM52	MB52
OH2352HB	240	260	330	211	39	-	Tr260×4	M6	23	HM52	MB52
H3956	260	280	330	121	38	50	Tr280×4	-	15.3	HML56	MSL56
OH3956	260	280	330	121	38	50	Tr280×4	M6	15.3	HML56	MSL56
OH3956H	260	280	330	121	38	50	Tr280×4	M6	15.3	HML56	MSL56
OH3956B	260	280	330	121	38	50	Tr280×4	M6	15.3	HML56	MSL56
OH3956HB	260	280	330	121	38	50	Tr280×4	M6	15.3	HML56	MSL56
H3056	260	280	330	152	38	50	Tr280×4	-	16	HML56	MSL56
OH3056	260	280	330	152	38	50	Tr280×4	M6	16	HML56	MSL56
OH3056H	260	280	330	152	38	50	Tr280×4	M6	16	HML56	MSL56
OH3056B	260	280	330	152	38	50	Tr280×4	M6	16	HML56	MSL56
OH3056HB	260	280	330	152	38	50	Tr280×4	M6	16	HML56	MSL56
H3156	260	280	350	195	41	-	Tr280×4	-	23	HM56	MB56
OH3156	260	280	350	195	41	-	Tr280×4	M6	23	HM56	MB56
OH3156H	260	280	350	195	41	-	Tr280×4	M6	23	HM56	MB56
OH3156B	260	280	350	195	41	-	Tr280×4	M6	23	HM56	MB56
OH3156HB	260	280	350	195	41	-	Tr280×4	M6	23	HM56	MB56