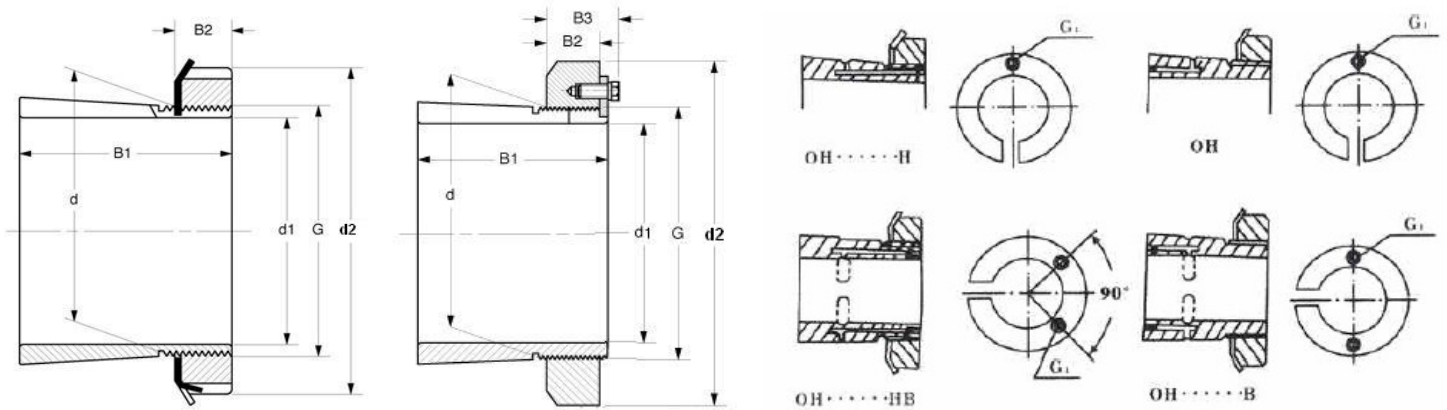


# Hydraulic Adapter Sleeves 紧定套

H3900,H3000,H3100,H2300,OH3000,OH3100,OH2300,OH3900 Series



Bore Size=200 to 240mm



| MVB      | Dimensions (mm) |     |     |     |    |    |        |                | Weight | Appertaining Device |             |
|----------|-----------------|-----|-----|-----|----|----|--------|----------------|--------|---------------------|-------------|
| Item No. | d1              | d   | d2  | B1  | B2 | B3 | G      | G <sub>1</sub> | (kg)   | Lock Nut            | Lock Washer |
| H2344    | 200             | 220 | 280 | 186 | 35 | -  | M220×4 | -              | 17     | HM44                | MB44        |
| OH2344   | 200             | 220 | 280 | 186 | 35 | -  | M220×4 | M6             | 17     | HM44                | MB44        |
| OH2344H  | 200             | 220 | 280 | 186 | 35 | -  | M220×4 | M6             | 17     | HM44                | MB44        |
| OH2344B  | 200             | 220 | 280 | 186 | 35 | -  | M220×4 | M6             | 17     | HM44                | MB44        |
| OH2344HB | 200             | 220 | 280 | 186 | 35 | -  | M220×4 | M6             | 17     | HM44                | MB44        |
| H3948    | 220             | 240 | 290 | 101 | 34 | 46 | M240×4 | -              | 11     | HML48               | MSL48       |
| OH3948   | 220             | 240 | 290 | 101 | 34 | 46 | M240×4 | M6             | 11     | HML48               | MSL48       |
| OH3948H  | 220             | 240 | 290 | 101 | 34 | 46 | M240×4 | M6             | 11     | HML48               | MSL48       |
| OH3948B  | 220             | 240 | 290 | 101 | 34 | 46 | M240×4 | M6             | 11     | HML48               | MSL48       |
| OH3948HB | 220             | 240 | 290 | 101 | 34 | 46 | M240×4 | M6             | 11     | HML48               | MSL48       |
| H3048    | 220             | 240 | 290 | 133 | 34 | 46 | M240×4 | -              | 12     | HML48               | MSL48       |
| OH3048   | 220             | 240 | 290 | 133 | 34 | 46 | M240×4 | M6             | 12     | HML48               | MSL48       |
| OH3048H  | 220             | 240 | 290 | 133 | 34 | 46 | M240×4 | M6             | 12     | HML48               | MSL48       |
| OH3048B  | 220             | 240 | 290 | 133 | 34 | 46 | M240×4 | M6             | 12     | HML48               | MSL48       |
| OH3048HB | 220             | 240 | 290 | 133 | 34 | 46 | M240×4 | M6             | 12     | HML48               | MSL48       |
| H3148    | 220             | 240 | 300 | 172 | 37 | -  | M240×4 | -              | 16     | HM48                | MB48        |
| OH3148   | 220             | 240 | 300 | 172 | 37 | -  | M240×4 | M6             | 16     | HM48                | MB48        |
| OH3148H  | 220             | 240 | 300 | 172 | 37 | -  | M240×4 | M6             | 16     | HM48                | MB48        |
| OH3148B  | 220             | 240 | 300 | 172 | 37 | -  | M240×4 | M6             | 16     | HM48                | MB48        |
| OH3148HB | 220             | 240 | 300 | 172 | 37 | -  | M240×4 | M6             | 16     | HM48                | MB48        |
| H2348    | 220             | 240 | 300 | 199 | 37 | -  | M240×4 | -              | 19     | HM48                | MB48        |
| OH2348   | 220             | 240 | 300 | 199 | 37 | -  | M240×4 | M6             | 19     | HM48                | MB48        |
| OH2348H  | 220             | 240 | 300 | 199 | 37 | -  | M240×4 | M6             | 19     | HM48                | MB48        |
| OH2348B  | 220             | 240 | 300 | 199 | 37 | -  | M240×4 | M6             | 19     | HM48                | MB48        |
| OH2348HB | 220             | 240 | 300 | 199 | 37 | -  | M240×4 | M6             | 19     | HM48                | MB48        |
| H3952    | 240             | 260 | 310 | 116 | 34 | 46 | M260×4 | -              | 11.7   | HML52               | MSL52       |
| H3952    | 240             | 260 | 310 | 116 | 34 | 46 | M260×4 | M6             | 11.7   | HML52               | MSL52       |
| OH3952H  | 240             | 260 | 310 | 116 | 34 | 46 | M260×4 | M6             | 11.7   | HML52               | MSL52       |
| OH3952B  | 240             | 260 | 310 | 116 | 34 | 46 | M260×4 | M6             | 11.7   | HML52               | MSL52       |
| OH3952HB | 240             | 260 | 310 | 116 | 34 | 46 | M260×4 | M6             | 11.7   | HML52               | MSL52       |