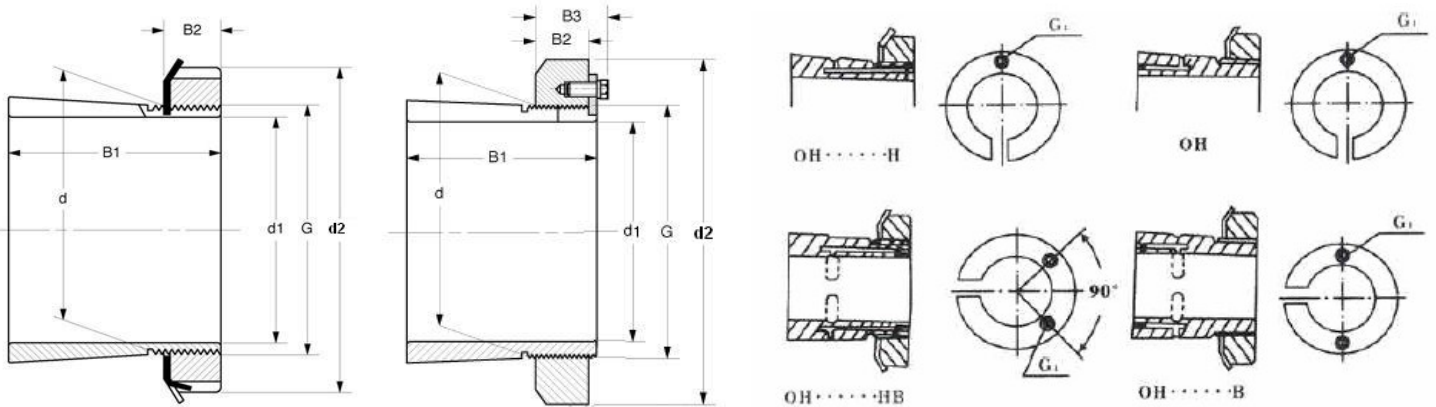


Hydraulic Adapter Sleeves 紧定套

H3900,H3000,H3100,H2300,OH3000,OH3100,OH2300 Series



Bore Size=180 to 200mm



MVB	Dimensions (mm)								Weight	Appertaining Device	
Item No.	d ₁	d	d ₂	B ₁	B ₂	B ₃	G	G ₁	(kg)	Lock Nut	Lock Washer
H3940	180	200	240	98	32	-	M200×3	-	7.6	KML40	MBL40
H3040	180	200	240	120	32	-	M200×3	-	8.9	KML40	MBL40
OH3040	180	200	240	120	32	-	M200×3	M6	8.9	KML40	MBL40
OH3040H	180	200	240	120	32	-	M200×3	M6	8.9	KML40	MBL40
OH3040B	180	200	240	120	32	-	M200×3	M6	8.9	KML40	MBL40
OH3040H	180	200	240	120	32	-	M200×3	M6	8.9	KML40	MBL40
H3140	180	200	250	150	32	-	M200×3	-	12	KM40	MB40
OH3140	180	200	250	150	32	-	M200×3	M6	12	KM40	MB40
OH3140H	180	200	250	150	32	-	M200×3	M6	12	KM40	MB40
OH3140B	180	200	250	150	32	-	M200×3	M6	12	KM40	MB40
OH3140HB	180	200	250	150	32	-	M200×3	M6	12	KM40	MB40
H2340	180	200	250	176	32	-	M200×3	-	13.5	KM40	MB40
OH2340	180	200	250	176	32	-	M200×3	M6	13.5	KM40	MB40
OH2340H	180	200	250	176	32	-	M200×3	M6	13.5	KM40	MB40
OH2340B	180	200	250	176	32	-	M200×3	M6	13.5	KM40	MB40
OH2340HB	180	200	250	176	32	-	M200×3	M6	13.5	KM40	MB40
H3944	200	220	260	96	30	41	Tr220×4	-	7.95	HML44	MSL44
OH3944	200	220	260	96	30	41	Tr220×4	M6	7.95	HML44	MSL44
OH3944H	200	220	260	96	30	41	Tr220×4	M6	7.95	HML44	MSL44
OH3944B	200	220	260	96	30	41	Tr220×4	M6	7.95	HML44	MSL44
OH3944HB	200	220	260	96	30	41	Tr220×4	M6	7.95	HML44	MSL44
H3044	200	220	260	126	30	41	Tr220×4	-	9.9	HML44	MSL44
OH3044	200	220	260	126	30	41	Tr220×4	M6	9.9	HML44	MSL44
OH3044H	200	220	260	126	30	41	Tr220×4	M6	9.9	HML44	MSL44
OH3044B	200	220	260	126	30	41	Tr220×4	M6	9.9	HML44	MSL44
OH3044HB	200	220	260	126	30	41	Tr220×4	M6	9.9	HML44	MSL44
H3144	200	220	280	161	35	-	Tr220×4	-	15	HM44	MB44
OH3144	200	220	280	161	35	-	Tr220×4	M6	15	HM44	MB44
OH3144H	200	220	280	161	35	-	Tr220×4	M6	15	HM44	MB44
OH3144B	200	220	280	161	35	-	Tr220×4	M6	15	HM44	MB44
OH3144HB	200	220	280	161	35	-	Tr220×4	M6	15	HM44	MB44