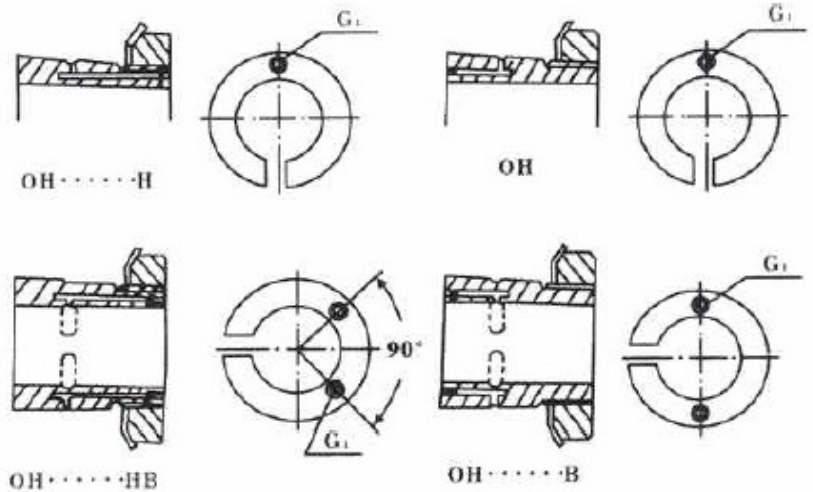
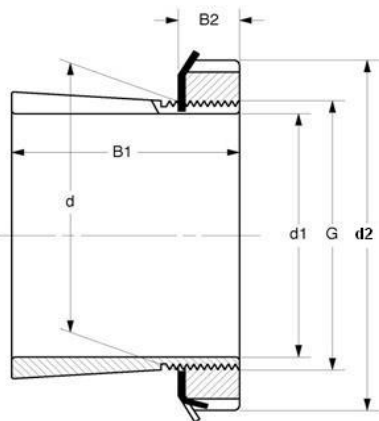


Hydraulic Adapter Sleeves 紧定套

H3900,H3000,H3100,H2300,OH3000,OH3100,OH2300 Series



Bore Size=140 to 150mm



MVB	Dimensions (mm)							Weight	Appertaining Device	
Item No.	d ₁	d	d ₂	B ₁	B ₂	G	G ₁	(kg)	Lock Nut	Lock Washer
H3932	140	160	190	78	28	M160×3	-	4.6	KML32	MBL32
H3032	140	160	190	93	28	M160×3	-	5.1	KML32	MBL32
OH3032	140	160	190	93	28	M160×3	M6	5.1	KML32	MBL32
OH3032H	140	160	190	93	28	M160×3	M6	5.1	KML32	MBL32
OH3032B	140	160	190	93	28	M160×3	M6	5.1	KML32	MBL32
OH3032HB	140	160	190	93	28	M160×3	M6	5.1	KML32	MBL32
H3132	140	160	210	119	28	M160×3	-	7.25	KM32	MB32
OH3132	140	160	210	119	28	M160×3	M6	7.25	KM32	MB32
OH3132H	140	160	210	119	28	M160×3	M6	7.25	KM32	MB32
OH3132B	140	160	210	119	28	M160×3	M6	7.25	KM32	MB32
OH2332HB	140	160	210	119	28	M160×3	M6	7.25	KM32	MB32
H2332	140	160	210	147	28	M160×3	-	8.8	KM32	MB32
OH2332	140	160	210	147	28	M160×3	M6	8.8	KM32	MB32
OH2332H	140	160	210	147	28	M160×3	M6	8.8	KM32	MB32
OH2332B	140	160	210	147	28	M160×3	M6	8.8	KM32	MB32
OH2332HB	140	160	210	147	28	M160×3	M6	8.8	KM32	MB32
H3934	150	170	200	79	29	M170×3	-	5.35	KML34	MBL34
H3034	150	170	200	101	29	M170×3	-	5.8	KML34	MBL34
OH3034	150	170	200	101	29	M170×3	M6	5.8	KML34	MBL34
OH3034H	150	170	200	101	29	M170×3	M6	5.8	KML34	MBL34
OH3034B	150	170	200	101	29	M170×3	M6	5.8	KML34	MBL34
OH3034HB	150	170	200	101	29	M170×3	M6	5.8	KML34	MBL34
H3134	150	170	220	122	29	M170×3	-	8.1	KM34	MB34
OH3134	150	170	220	122	29	M170×3	M6	8.1	KM34	MB34
OH3134H	150	170	220	122	29	M170×3	M6	8.1	KM34	MB34
OH3134B	150	170	220	122	29	M170×3	M6	8.1	KM34	MB34
OH3134HB	150	170	220	122	29	M170×3	M6	8.1	KM34	MB34
H2334	150	170	220	154	29	M170×3	-	9.9	KM34	MB34
OH2334	150	170	220	154	29	M170×3	M6	9.9	KM34	MB34
OH2334H	150	170	220	154	29	M170×3	M6	9.9	KM34	MB34
OH2334B	150	170	220	154	29	M170×3	M6	9.9	KM34	MB34
OH2334HB	150	170	220	154	29	M170×3	M6	9.9	KM34	MB34