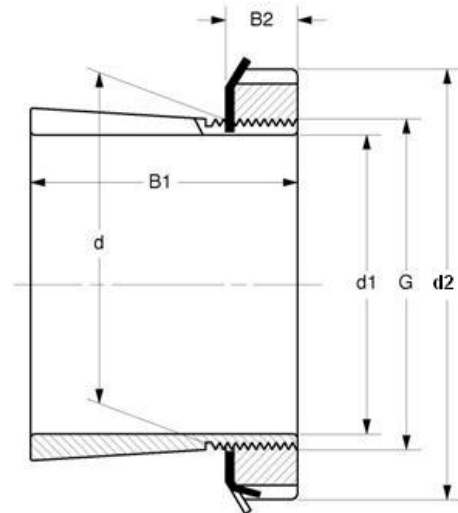


Adapter Sleeves 紧定套

H200,H300,H2300,H3100,H3900 Series



Bore Size=90 to 135mm



MVB	Dimensions (mm)						Weight	Appertaining Device	
Item No.	d1	d	d2	B1	B2	G	(kg)	Lock Nut	Lock Washer
H220	90	100	130	58	20	M100x2	1.4	KM20	MB20
H320	90	100	130	71	20	M100x2	1.6	KM20	MB20
H2320	90	100	130	97	20	M100x2	2	KM20	MB20
H3120	90	100	130	76	20	M100x2	1.8	KM20	MB20
H221	95	105	140	60	20	M105x2	1.6	KM21	MB21
H321	95	105	140	74	20	M105x2	1.85	KM21	MB21
H2321	95	105	140	101	20	M105x2	2.46	KM21	MB21
H222	100	110	145	63	21	M110x2	1.8	KM22	MB22
H322	100	110	145	77	21	M110x2	2.05	KM22	MB22
H2322	100	110	155	105	21	M110x2	2.75	KM22	MB22
H3122	100	110	155	81	21	M110x2	2.1	KM22	MB22
H3924	110	120	145	60	22	M120x2	1.55	KM24	MBL24
H3024	110	120	145	72	22	M120x2	1.8	KML24	MBL24
H3124	110	120	155	88	22	M120x2	2.5	KM24	MB24
H2324	110	120	155	112	22	M120x2	3	KM24	MB24
H3926	115	130	155	65	23	M130x2	2.4	KML26	MBL26
H3026	115	130	155	80	23	M130x2	2.8	KML26	MBL26
H3126	115	130	165	92	23	M130x2	3.45	KM26	MB26
H2326	115	130	165	121	23	M130x2	4.45	KM26	MB26
H3928	125	140	165	66	24	M140x2	2.75	KML28	MBL28
H3028	125	140	165	82	24	M140x2	3.05	KML28	MBL28
H3128	125	140	180	97	24	M140x2	4.1	KM28	MB28
H2328	125	140	180	131	24	M140x2	5.4	KM28	MB28
H3930	135	150	180	76	26	M150x2	3.35	KML30	MBL30
H3030	135	150	180	87	26	M150x2	3.75	KML30	MBL30
H3130	135	150	195	111	26	M150x2	5.25	KM30	MB30
H2330	135	150	195	139	26	M150x2	6.4	KM28	MB30