

# Linear Motion Bearings-Support Rail Unit 直线轴承支撑导轨 TBS Series



**TB S ...A -1000L**

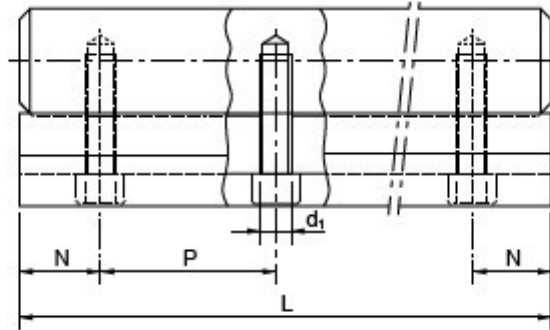
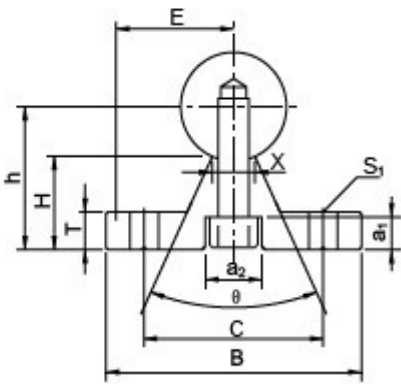
TBS支撑导轨  
TBS Support Rail

S: 带轴 With shaft  
-: 不带轴 No shaft

支撑轨长度 Length of Rail

轴径 Shaft Diameter

★下表中的长度尺寸为推荐的标值，用户订货时需要提供图纸。  
We could manufacture according to customer's requirements.



型号 Item No.	轴径 Shaft dia. mm	主要尺寸 Major Dimensions (mm)												重量 Weight (Kgf/m)
		E	h	B	H	T	X	C	∅	S1	a1	a2	d1	
TBS16A	16	25	22	50	14.84	6	8	37	60°	5.5	6	9.5	5.5	2.45
TBS20A	20	27.5	29	55	19.64	8	8	40	50°	5.5	6.5	11	6.6	3.6
TBS25A	25	32.5	32	65	20	10	8	45	50°	6.6	6.5	11	6.6	5.6
TBS30A	30	37.5	36.5	75	22.28	12	10.3	55	50°	6.6	8.5	14	9	8

支撑轨标准长度和主要尺寸  
Support Rail Standard length and Dimensions

型号 Designation	SBS16A	SBS20A	SBS25A	SBS30A	SBS35A	SBS40A	SBS50A
Standard Length L	190	340	250	450	460	460	470
	340	640	450	850	660	660	670
	640	940	850	1250	860	860	870
	940	1240	1250	1450	1060	1060	1070
N	20	20	25	25	30	30	35
P	150	50	200	200	200	200	200
Max.Length	1,390	1,390	1,850	1,850	1,860	1,860	2,070

MVB Power-Star Bearing Industry Co., Ltd.

Tel: +86-592-523 0986 Fax: +86-592-376 1975

Url: [www.mvbbearing.com](http://www.mvbbearing.com) Email: [vivy@mvbbearing.com](mailto:vivy@mvbbearing.com) ; [mvbbearing@gmail.com](mailto:mvbbearing@gmail.com)