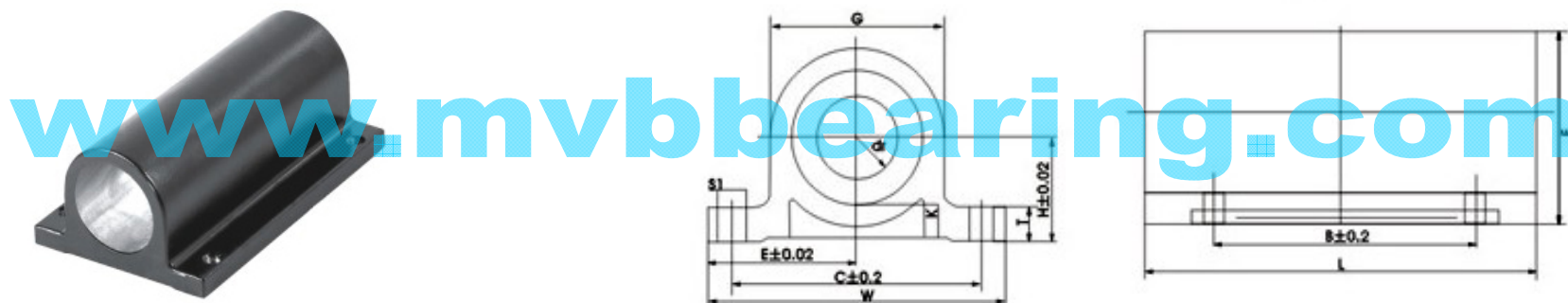


Linear Motion Bearings-Linear Bearing Slide Unit 直线轴承箱式单元 SWB..L Series



标准型 Standard		通用尺寸Nominal Dimensions(mm)											重量 Weight (Kg)	
型号 Designation	内装轴承 Liner Bearing	轴径 Shaft Diameter	H	E	W	L	F	T	G	K	B	C		S1
SWB8L	2×SWB8	12.7	17.45	25.4	50.8	88.9	31.8	6.528	28.7	6.342	63.5	42.88	3.94	0.116
SWB12L	2×SWB12	19.05	23.8	34.92	69.85	114.3	44.42	7.93	41.25	7.925	88.9	60.325	4.75	0.292
SWB16L	2×SWB16	25.4	30.15	41.28	82.55	152.4	55.55	9.53	50.8	10.3	114.3	73.03	5.56	0.57
SWB20L	2×SWB20	31.75	38.1	50.8	101.6	190.5	72.21	11.88	66.65	12.705	139.7	88.9	5.56	1.155
SWB24L	2×SWB24	38.1	44.45	60.32	120.65	228.6	82.56	12.73	76.2	14.29	165.1	104.78	7.16	1.688