

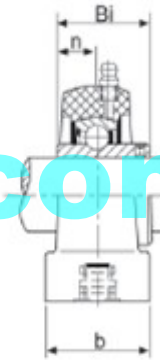
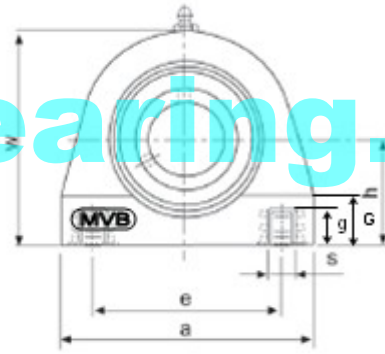


- White
- Black
- Green

Material: PBT

Solid Base

Stainless Steel
Grease Nipple same
as Bolt Holes



MVB Bearing Unit No.	Shaft Dia. d		Dimensions (in.) (mm)										Bolt Used in.	Bearing No.	Housing No.	Housing Weight (kg)
	in.	mm	h	a	e	b	s(in)	g	w	D	Bi	n				
SUCTBL201-08 SUCTBL201	1/2	12	1 5/16 33.3	2 7/8 73	2 50.8	1 1/2 38.1	3/8 -16	7/16 11.1	2 9/16 65.1	1/2 12.7	1.2205 31.0	0.5000 12.7	3/8	SUC201-08 SUC201	TBL 204	0.10
SUCTBL202-10 SUCTBL202	5/8	15	1 5/16 33.3	2 7/8 73	2 50.8	1 1/2 38.1	3/8 -16	7/16 11.1	2 9/16 65.1	1/2 12.7	1.2205 31.0	0.5000 12.7	3/8	SUC202-10 SUC202	TBL 204	0.10
SUCTBL203-11 SUCTBL203	11/16	17	1 5/16 33.3	2 7/8 73	2 50.8	1 1/2 38.1	3/8 -16	7/16 11.1	2 9/16 65.1	1/2 12.7	1.2205 31.0	0.5000 12.7	3/8	SUC203-11 SUC203	TBL 204	0.10
SUCTBL204-12 SUCTBL204	3/4	20	1 5/16 33.3	3 1/8 79.4	2 50.8	1 1/2 38.1	3/8 -16	7/16 11.1	2 9/16 65.1	1/2 12.7	1.2205 31.0	0.5000 12.7	3/8	SUC204-12 SUC204	TBL 204	0.10
SUCTBL205-14 SUCTBL205-15 SUCTBL205-16 SUCTBL205	7/8 15/16 1	25	1 7/16 36.5	3 76.2	2 50.8	1 1/2 38.1	3/8 -16	15/32 11.9	2 13/16 71.4	1/2 12.7	1.3386 34.0	0.5630 14.3	3/8	SUC205-14 SUC205-15 SUC205-16 SUC205	TBL 205	0.14
SUCTBL206-17 SUCTBL206-18 SUCTBL206-19 SUCTBL206-20 SUCTBL206	1 1/16 1 1/8 1 3/16 1 1/4	30	1 11/16 42.9	4 101.6	3 76.2	1 1/2 38.1	7/16 -14	15/32 11.9	3 3/8 85.7	5/8 15.9	1.5000 38.1	0.6260 15.9	7/16	SUC206-17 SUC206-18 SUC206-19 SUC206-20 SUC206	TBL 206	0.20
SUCTBL207-20 SUCTBL207-21 SUCTBL207-22 SUCTBL207-23 SUCTBL207	1 1/4 1 5/16 1 3/8 1 7/16	35	1 7/8 47.6	4 1/4 107.9	3 1/4 82.5	1 7/8 47.6	1/2 -13	1/2 12.7	3 3/4 95.3	3/4 19.1	1.6890 42.9	0.6890 17.5	1/2	SUC207-20 SUC207-21 SUC207-22 SUC207-23 SUC207	TBL 207	0.24
SUCTBL208-24 SUCTBL208-25 SUCTBL208	1 1/2 1 9/16	40	1 15/16 49.2	4 5/8 117.5	3 1/2 88.9	1 7/8 47.6	1/2 -13	1/2 12.7	3 15/16 100	3/4 19.1	1.9370 49.2	0.7480 19.0	1/2	SUC208-24 SUC208-25 SUC208	TBL 208	0.28
SUCTBL209-26 SUCTBL209-27 SUCTBL209-28 SUCTBL209	1 5/8 1 11/16 1 3/4	45	2 1/8 54.0	5 127.0	3 3/4 95.3	2 50.8	1/2 -13	1/2 12.7	4 1/4 107.9	3/4 19.1	1.9370 49.2	0.7480 19.0	1/2	SUC209-26 SUC209-27 SUC209-28 SUC209	TBL 209	0.35
SUCTBL210-30 SUCTBL210-31 SUCTBL210-32 SUCTBL210	1 7/8 1 15/16 2	50	2 1/4 57.1	5 1/2 139.7	4 101.6	2 50.8	5/8 -11	9/16 14.3	4 5/8 117.5	7/8 22.2	2.0315 51.6	0.7480 19.0	5/8	SUC210-30 SUC210-31 SUC210-32 SUC210	TBL 210	0.45

Note: Open / Close Covers (OC/CC) and Back Seals (BS) are optional.

Thermoplastic Housing Specifications - Breaking Points Testing (N)							
Mode of Load	204	205	206	207	208	209	210
	8210	8540	10370	12150	12230	12900	13850
	6900	7010	6580	8080	9100	10400	11050
	2980	2850	4950	8160	9800	10710	11360