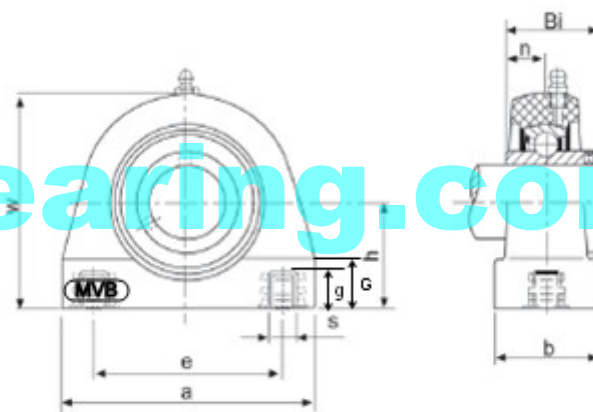




- White
- Black
- Green

Material: PBT  
Solid Base

Stainless Steel  
Grease Nipple  
same as Bolt  
Holes



MVB Bearing Unit No.	Shaft Dia d		Dimensions(mm)									Bolt Size (mm)	Bearing No.	Housing No.	Housing Weight (kg)	
	(in)	(mm)	h	a	e	b	G	g	w	Bi	n					
SUCPAL201-8	1/2												M10x1.5	SUC201-8	PAL204	0.10
SUCPAL202-9	9/16											SUC202-9				
SUCPAL202-10	5/8											SUC202-10				
SUCPAL203-11	11/16											SUC203-11				
SUCPAL204-12	3/4		33.3	76	52	38	15	8	62	31	12.7	SUC204-12				
SUCPAL201		12										SUC201				
SUCPAL202		15										SUC202				
SUCPAL203		17										SUC203				
SUCPAL204		20										SUC204				
SUCPAL205-13	13/16											M10x1.5	SUC205-13	PAL205	0.14	
SUCPAL205-14	7/8												SUC205-14			
SUCPAL205-15	15/16	25	36.5	84	56	38	15	10	72	34.1	14.3		SUC205-15			
SUCPAL205-16	1												SUC205-16			
SUCPAL205													SUC205			
SUCPAL206-17	1-1/16											M14x2	SUC206-17	PAL206	0.20	
SUCPAL206-18	1-1/8												SUC206-18			
SUCPAL206-19	1-3/16		42.9	94	66	48	18	10	84	38.1	15.9		SUC206-19			
SUCPAL206-20	1-1/4												SUC206-20			
SUCPAL206		30											SUC206			
SUCPAL207-20	1-1/4											M14x2	SUC207-20	PAL207	0.24	
SUCPAL207-21	1-5/16												SUC207-21			
SUCPAL207-22	1-3/8		47.6	110	80	48	20	12	95	42.9	17.5		SUC207-22			
SUCPAL207-23	1-7/16												SUC207-23			
SUCPAL207		35											SUC207			
SUCPAL208-24	1-1/2											M14x2	SUC208-24	PAL208	0.28	
SUCPAL208-25	1-9/16		49.2	116	84	54	20	12	100	49.2	19		SUC208-25			
SUCPAL208		40											SUC208			
SUCPAL209-26	1-5/8											M14x2	SUC209-26	PAL209	0.35	
SUCPAL209-27	1-11/16												SUC209-27			
SUCPAL209-28	1-3/4		54.2	120	90	54	25	12	108	49.2	19		SUC209-28			
SUCPAL209		45											SUC209			
SUCPAL210-29	1-13/16											M16x2	SUC210-29	PAL210	0.45	
SUCPAL210-30	1-7/8												SUC210-30			
SUCPAL210-31	1-15/16		57.2	130	94	60	25	14	116	51.6	19		SUC210-31			
SUCPAL210-32	2												SUC210-32			
SUCPAL210		50											SUC210			

Note: Open / Close Covers (OC/CC) and Back Seals (BS) are optional.

Thermoplastic Housing Specifications - Breaking Points Testing (N)							
Mode of Load	204	205	206	207	208	209	210
	8210	8540	10370	12150	12230	12900	13850
	6900	7010	6580	8080	9100	10400	11050
	2980	2850	4950	8160	9800	10710	11360