

SUCHPL200 Series

Hanger Unit 帶座外球面軸承



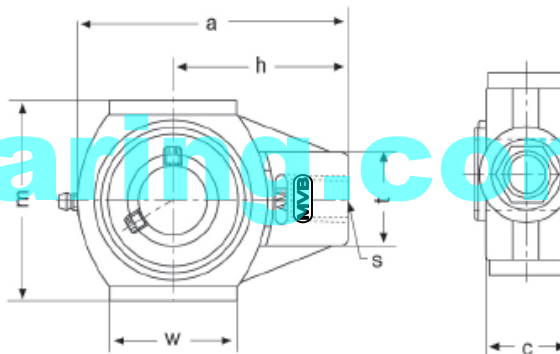
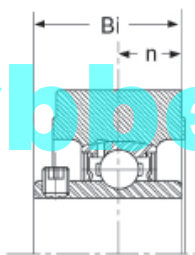
Thermoplastic Housing with Stainless Steel Bearing Inserts

Mounted Ball Bearing Units

- White
- Black
- Green

Material: PBT
Solid Base

Stainless Steel
Grease Nipple
same as Bolt
Holes



MVB BearingUnit No.	Shaft Dia d		Dimensions(mm)										Bearing No.	Housing No.	Weight (lbs)		
	(in)	(mm)	a	c	h	m	s	t	w	Bi	n						
SUCHPL201-8	1/2																
SUCHPL202-9	9/16																
SUCHPL202-10	5/8																
SUCHPL203-11	11/16																
SUCHPL204-12	3/4		99	27.5	63.5	65		M16	36	47	31	12.7					0.86
SUCHPL201		12															
SUCHPL202		15															
SUCHPL203		17															
SUCHPL204		20															
SUCHPL205-13	13/16																
SUCHPL205-14	7/8																
SUCHPL205-15	15/16	25	99	27.5	63.5	74		M16	36	47	34.1	14.3					0.89
SUCHPL205-16	1																
SUCHPL205																	
SUCHPL206-17	1-1/16																
SUCHPL206-18	1-1/8																
SUCHPL206-19	1-3/16	30	125	34.5	76	90		M16	40	63	38.1	15.9					1.22
SUCHPL206-20	1-1/4																
SUCHPL206																	
SUCHPL207-20	1-1/4																
SUCHPL207-21	1-5/16																
SUCHPL207-22	1-3/8	35	125	34.5	76	90		M16	40	63	42.9	17.5					1.77
SUCHPL207-23	1-7/16																
SUCHPL207																	
SUCHPL208-24	1-1/2																
SUCHPL208-25	1-9/16	40	140	38.5	85	100		M16	46	80	49.2	19					2
SUCHPL208																	

Note: Open / Close Covers (OC/CC) and Back Seals (BS) are optional.

Mode of Load	204	205	206	207
	3325	3485	3550	3710
	880	1020	1150	1460
	1910	2325	2450	2540