



Square 4-Bolt Flange Units

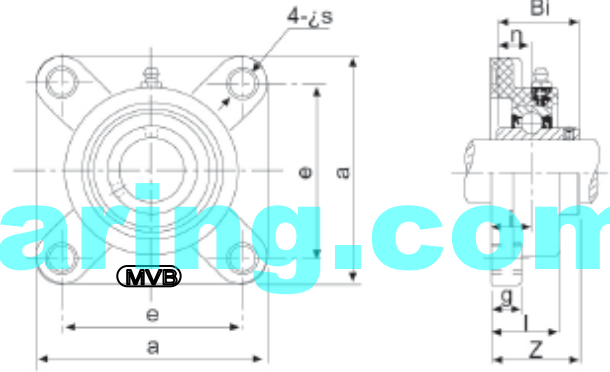
Mounted Ball Bearing Units

- White
- Black
- Green

Material: PBT

Solid Base

Stainless Steel Grease Nipple same as Bolt Holes



MVB Bearing Unit No.	Shaft Dia d		Dimensions(mm)									Bolt Size		Bearing No.	Housing No.	Housing Weight (kg)
	(in)	(mm)	a	e	i	g	l	s	z	Bi	n	(mm)	(in)			
SUCFPL201-8	1/2													SUC201-8	FPL204	0.13
SUCFPL202-9	9/16												SUC202-9			
SUCFPL202-10	5/8												SUC202-10			
SUCFPL203-11	11/16												SUC203-11			
SUCFPL204-12	3/4		86	64	15	12	25.5	12	33.3	31	12.7	M10	3/8	SUC204-12		
SUCFPL201		12												SUC201		
SUCFPL202		15												SUC202		
SUCFPL203		17												SUC203		
SUCFPL204		20												SUC204		
SUCFPL205-13	13/16													SUC205-13	FPL205	0.14
SUCFPL205-14	7/8													SUC205-14		
SUCFPL205-15	15/16		95	70	16	14	27	12	35.8	34.1	14.3	M10	3/8	SUC205-15		
SUCFPL205-16	1													SUC205-16		
SUCFPL205		25												SUC205		
SUCFPL206-17	1-1/16													SUC206-17	FPL206	0.21
SUCFPL206-18	1-1/8													SUC206-18		
SUCFPL206-19	1-3/16		108	83	18	14	31	12	40.2	38.1	15.9	M10	3/8	SUC206-19		
SUCFPL206-20	1-1/4													SUC206-20		
SUCFPL206		30												SUC206		
SUCFPL207-20	1-1/4													SUC207-20	FPL207	0.26
SUCFPL207-21	1-5/16													SUC207-21		
SUCFPL207-22	1-3/8		117	92	19	16	34	14	44.4	42.9	17.5	M12	7/16	SUC207-22		
SUCFPL207-23	1-7/16													SUC207-23		
SUCFPL207		35												SUC207		
SUCFPL208-24	1-1/2													SUC208-24	FPL208	0.34
SUCFPL208-25	1-9/16		130	102	21	16	36	16	51.2	49.2	19	M14	1/2	SUC208-25		
SUCFPL208		40												SUC208		
SUCFPL209-26	1-5/8													SUC209-26	FPL209	0.41
SUCFPL209-27	1-11/16													SUC209-27		
SUCFPL209-28	1-3/4		137	105	22	18	38	16	52.2	49.2	19	M14	1/2	SUC209-28		
SUCFPL209		45												SUC209		
SUCFPL210-29	1-13/16													SUC210-29		
SUCFPL210-30	1-7/8													SUC210-30	FPL210	0.44
SUCFPL210-31	1-15/16		143	111	22	18	40	16	54.6	51.6	19	M14	1/2	SUC210-31		
SUCFPL210-32	2													SUC210-32		
SUCFPL210		50												SUC210		
SUCFPL211-32	2													SUC211-32	FPL211	
SUCFPL211-33	2-1/16													SUC211-33		
SUCFPL211-34	2-1/8		162	130	25	20	43	19	58.4	55.6	22.2	M16	5/8	SUC211-34		
SUCFPL211-35	2-3/16													SUC211-35		
SUCFPL211		55												SUC211		
SUCFPL212-36	2-1/4													SUC212-36	FPL212	
SUCFPL212-37	2-5/16													SUC212-37		
SUCFPL212-38	2-3/8		175	143	29	20	48	19	68.7	65.1	25.4	M16	5/8	SUC212-38		
SUCFPL212-39	2-7/16													SUC212-39		
SUCFPL212		60												SUC212		

Note: Open / Close Covers (OC/CC) and Back Seals (BS) are optional.

Thermoplastic Housing Specifications - Breaking Points Testing (N)							
Mode of Load	204	205	206	207	208	209	210
	12950	13000	17000	18500	19100	19350	19650
	10250	12150	17700	18500	19250	19350	19620
	3250	3350	3380	3520	3790	3850	3990