



3-Bolt One Side Flange Units

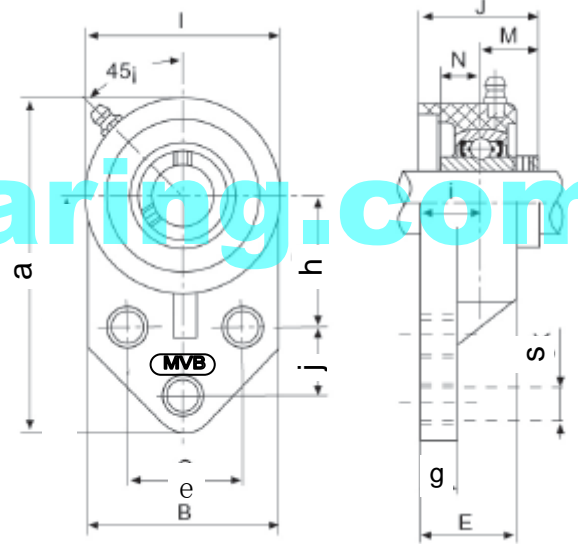
Mounted Ball Bearing Units

- White
- Black
- Green

Material: PBT

Solid Base

Stainless Steel
Grease Nipple
same as Bolt
Holes



MVB Bearing Unit NO.	Shaft Dia d		Dimensions(mm)													Bolt Used		Bearing No.	Housing No.	Housing Weight (kg)																		
	(in)	(mm)	a	h	e	j	i	g	E	s	l	B	J	M	N	mm	in																					
SUCFBL201-8	1/2																																					
SUCFBL202-9	9/16																																					
SUCFBL202-10	5/8																																					
SUCFBL203-11	11/16																																					
SUCFBL204-12	3/4		108	42.9	38.1	22.2	15.9	11.4	31.2	10.7	63.5	62	38	18.3	12.7																					0.25		
SUCFBL201		12																																				
SUCFBL202		15																																				
SUCFBL203		17																																				
SUCFBL204		20																																				
SUCFBL205-13	13/16																																					
SUCFBL205-14	7/8																																					
SUCFBL205-15	15/16	25	120.6	46	41.3	28.6	16.7	11.4	32.8	10.7	70	63.5	41.1	19.8	14.3																						0.30	
SUCFBL205-16	1																																					
SUCFBL205																																						
SUCFBL206-17	1-1/16																																					
SUCFBL206-18	1-1/8																																					
SUCFBL206-19	1-3/16	30	138.5	52.4	47.6	31.8	18.6	13.3	35.4	10.7	83	76	47.6	22.2	15.9																						0.46	
SUCFBL206-20	1-1/4																																					
SUCFBL206																																						
SUCFBL207-20	1-1/4																																					
SUCFBL207-21	1-5/16																																					
SUCFBL207-22	1-3/8	35	157	60.3	50.8	31.8	21	16.1	37.5	13.1	95	89	50.8	25.4	17.5																						0.66	
SUCFBL207-23	1-7/16																																					
SUCFBL207																																						
SUCFBL208-24	1-1/2																																					
SUCFBL208-25	1-9/16	40	178	60.3	54	35.5	21	18.5	39.5	13.1	103	99	54	30.2	19																						0.90	
SUCFBL208																																						

Note: Open / Close Covers (OC/CC) and Back Seals (BS) are optional.

Thermoplastic Housing Specifications - Breaking Points Testing (N)				
Mode of Load	204	205	206	207
	7200	9100	12200	12900
	9200	11100	11800	11900
	2600	2800	2900	3100