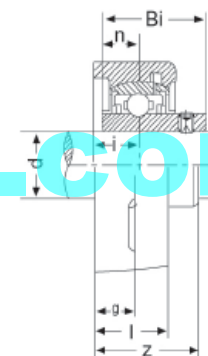
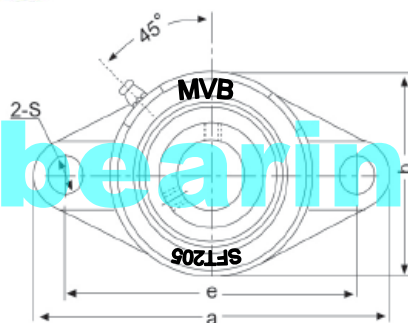


UCFT200 Series 不锈钢带座外球面轴承 Oval-2 Bolt Flange Unit



Stainless Steel Mounted Ball Bearing Units Wide Inner Race, Set Screw Locking, Normal Duty



www.mvbbearing.com

MVB Bearing Unit NO.	Shaft Dia d		Dimensions(mm)										Bolt Size	Bearing No.	Housing No.	Weight (kg)
	(in)	(mm)	a	e	i	g	l	s	b	z	Bi	n				
SSUCFT201-8 SSUCFT202-9 SSUCFT202-10 SSUCFT203-11 SSUCFT201 SSUCFT202 SSUCFT203	1/2 9/16 5/8 11/16	12 15 17	4 13/32 112	3 17/32 89.7	3/4 19	7/16 11	1 5/32 29.5	13/32 10.5	2 3/8 60	1 15/32 37.3	1.2205 31	0.5 12.7	5/16 M8	SUC201-8 SUC202-9 SUC202-10 SUC203-11 SUC201 SUC202 SUC203	SFT204	0.52
SSUCFT204-12 SSUCFT204	3/4	20	4 13/32 112	3 17/32 89.7	3/4 19	7/16 11	1 5/32 29.5	13/32 10.5	2 3/8 60	1 15/32 37.3	1.2205 31	0.5 12.7	5/16 M8	SUC204-12 SUC204	SFT204	0.48
SSUCFT205-13 SSUCFT205-14 SSUCFT205-15 SSUCFT205-16 SSUCFT205	13/16 7/8 15/16 1	25	4 7/8 124	3 57/64 98.8	25/32 20	33/64 13	1 7/32 31	1/2 12.5	2 3/4 70	1 9/16 39.8	1.3425 34.1	0.5630 14.3	3/8 M10	SUC205-13 SUC205-14 SUC205-15 SUC205-16 SUC205	SFT205	0.64
SSUCFT206-17 SSUCFT206-18 SSUCFT206-19 SSUCFT206-20 SSUCFT206	1-1/16 1-1/8 1-3/16 1-1/4	30	5 9/16 141	4 19/32 116.7	53/64 21	17/32 13.5	1 11/32 34	1/2 12.5	3 1/4 83	1 45/64 43.2	1.5000 38.1	0.6260 15.9	3/8 M10	SUC206-17 SUC206-18 SUC206-19 SUC206-20 SUC206	SFT206	0.9
SSUCFT207-20 SSUCFT207-21 SSUCFT207-22 SSUCFT207-23 SSUCFT207	1-1/4 1-5/16 1-3/8 1-7/16	35	6 1/8 156	5 1/8 130.2	27/32 21.5	9/16 14	1 7/16 36.5	35/64 14	3 3/4 95	1 27/32 46.9	1.6890 42.9	0.6890 17.5	7/16 M12	SUC207-20 SUC207-21 SUC207-22 SUC207-23 SUC207	SFT207	1.28
SSUCFT208-24 SSUCFT208-25 SSUCFT208	1-1/2 1-9/16	40	6 3/4 171	5 21/32 143.7	15/16 24	9/16 14	1 17/32 39	35/64 14	4 1/8 105	2 1/8 54.2	1.9370 49.2	0.7480 19	7/16 M12	SUC208-24 SUC208-25 SUC208	SFT208	1.53
SSUCFT209-26 SSUCFT209-27 SSUCFT209-28 SSUCFT209	1-5/8 1-11/16 1-3/4	45	7 1/16 179	5 27/32 148.4	15/16 24	9/16 14	1 9/16 40	5/8 16	4 3/8 111	2 1/8 54.2	1.9370 49.2	0.7480 19	1/2 M14	SUC209-26 SUC209-27 SUC209-28 SUC209	SFT209	1.81
SSUCFT210-29 SSUCFT210-30 SSUCFT210-31 SSUCFT210-32 SSUCFT210	1-13/16 1-7/8 1-15/16 2	50	7 7/16 189	6 3/16 157.2	1 1/8 28.5	9/16 14	1 27/32 46.5	5/8 16	4 9/16 116	2 13/32 61.2	2.0315 51.6	0.7480 19	1/2 M14	SUC210-29 SUC210-30 SUC210-31 SUC210-32 SUC210	SFT210	1.99
SSUCFT211-32 SSUCFT211-33 SSUCFT211-34 SSUCFT211-35 SSUCFT211	2 2-1/16 2-1/8 2-3/16	55	8 1/2 216	7 1/4 184.2	1 17/64 32	13/16 21	1 31/32 50	45/64 18	5 1/4 133	2 37/64 65.4	2.1890 55.6	0.8740 22.2	9/16 M14	SUC211-32 SUC211-33 SUC211-34 SUC211-35 SUC211	SFT211	2.85
SSUCFT212-36 SSUCFT212-38 SSUCFT212-39 SSUCFT212	2-1/4 2-3/8 2-7/16	60	9 1/4 235	8 202	1 5/16 34	7/8 22	2 1/16 53	11/16 18	5 7/16 138	2 15/16 73.7	2.5630 65.1	1 25.4	9/16 M14	SUC212-36 SUC212-38 SUC212-39 SUC212	SFT212	4.5
SSUCFT213-40 SSUCFT213	2-1/2	65	9 3/4 248	8.2677 210	1 1/2 38	55/64 22	2.2047 56	0.8071 20.5	6 152	3 1/16 77.7	2 4/7 65.1	1.0000 25.4	23/32 M18	SUC213-40 SUC213	SFT213	5.6
SSUCFT214-43 SSUCFT214-44 SSUCFT214	2-11/16 2-3/4	70	10 1/8 257	8 1/2 216	1 1/2 38	1 23	2 5/16 58	13/16 20.5	6 3/16 157	3 1/4 82.4	3 74.6	1 3/16 30.2	23/32 M18	SUC214-43 SUC214-44 SUC214	SFT214	5.7
SSUCFT215-47 SSUCFT215-48 SSUCFT215	2-15/16 3	75	10 1/2 266	8 7/8 225	1 5/8 41	15/16 24	2 7/16 62	13/16 20.5	6 1/2 164	3 3/8 85.5	3 1/16 77.8	1.3110 33.3	23/32 M18	SUC215-47 SUC215-48 SUC215	SFT215	6.6