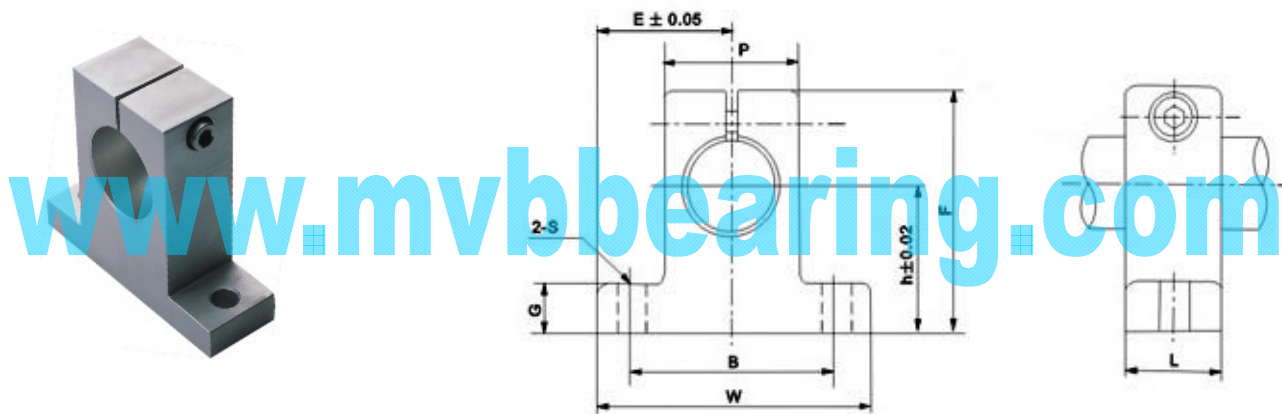


# Linear Motion Bearings-Shaft Support 直线轴承轴支座 SKW Series



型号 Item No SKW	轴径 Shaft Dia.	主要尺寸和公差 Major Dimensions (inch / mm)									重量 Weight (kg)
		h	E	W	L	F	G	P	B	S	
SKW4	0.25"	0.6875"	0.75"	1.50"	0.50"	1.063"	0.25"	0.50"	1.125"	0.156"	0.015
	6.35	17.463	19.05	38.1	12.7	27	6.35	12.7	28.575	4	
SKW6	0.375"	0.75"	0.8125"	1.625"	0.563"	1.187"	0.25"	0.688"	1.25"	0.156"	0.021
	9.525	19.05	20.637	41.28	14.3	30.16	6.35	17.46	31.75	4	
SKW8	0.50"	1.0"	1.0"	2.00"	0.63"	1.63"	0.25"	0.88"	1.50"	0.188"	0.035
	12.7	25.4	25.4	50.8	16	41.4	6.35	22.35	38.1	4.8	
SKW10	0.625"	1.0"	1.25"	2.5"	0.688"	1.75"	0.31"	1.0"	1.875"	0.218"	0.052
	15.875	25.4	31.75	63.5	17.46	44.45	7.88	25.4	47.625	5.6	
SKW12	0.75"	1.25"	1.25"	2.5"	0.75"	2.13"	0.31"	1.25"	2.00"	0.218"	0.082
	19.05	31.75	31.75	63.5	19.05	54.1	7.88	31.75	50.8	5.6	
SKW16	1.0"	1.50"	1.5315"	3.063"	1.0"	2.56"	0.38"	1.50"	2.5"	0.281"	0.145
	25.4	38.1	38.9	77.8	25.4	65	9.68	38.1	63.5	7.2	
SKW20	1.25"	1.75"	1.875"	3.75"	1.13"	3"	0.44"	2.00"	3"	0.346"	0.254
	31.75	44.45	47.625	95.25	28.7	76.2	11.18	50.8	76.2	8.8	
SKW24	1.50"	2.00"	2.1875"	4.375"	1.25"	3.5"	0.50"	2.25"	3.5"	0.346"	0.362
	38.1	50.8	55.563	111.125	31.75	88.9	12.7	57.15	88.9	8.8	
SKW32	2.00"	2.5"	2.75"	5.5"	1.50"	4.5"	0.63"	3"	4.5"	0.406"	0.716
	50.8	63.5	69.85	139.7	38.1	114.3	16	76.2	114.3	10.5	