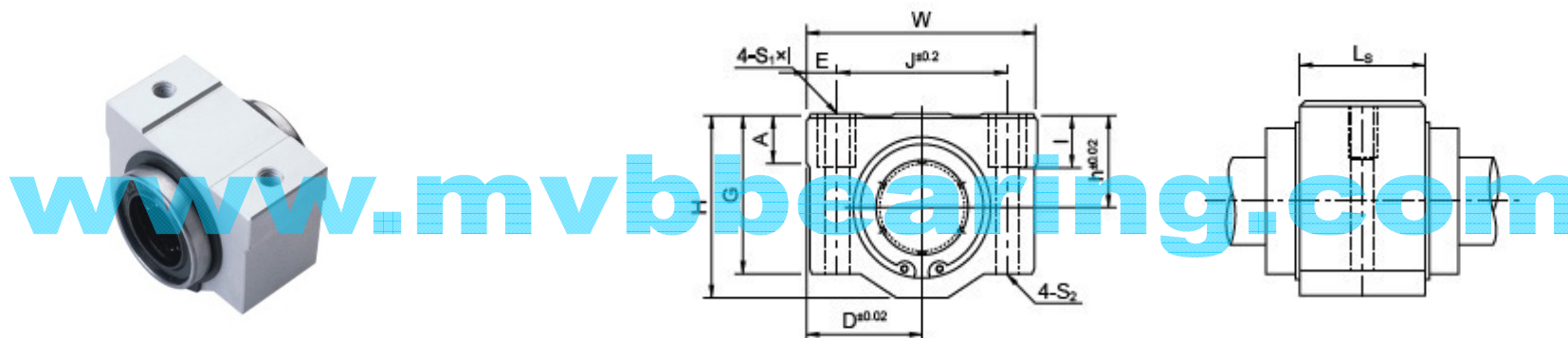


# Linear Motion Bearings-Linear Bearing Slide Unit 直线轴承箱式单元

## SC..VUU Series



标准型 Standard			额定负荷 Basic load rating		重量 Weight (g)	Dimensions (mm)												
型号 Designation	型号对照 Interchange		内装轴承 Liner Bearing	动负荷 Dynamic C N		静负荷 Static Co N	轴径 Shaft Diameter	通用尺寸Nominal Dimensions(mm)										
					h			D	W	H	G	A	J	E	S1×I	S2	Ls	
SC8VUU	SMA8SUU	SC8SUU	LM8UU	260	400	36	Φ8	11	17	34	22	18	6	24	5	M4×8	Φ3.4	15.4
SC10VUU	SMA10SUU	SC10SUU	LM10UU	370	540	63	Φ10	13	20	40	26	21	8	28	6	M5×12	Φ4.3	19.5
SC12VUU	SMA12SUU	SC12SUU	LM12UU	410	590	74	Φ12	15	21	42	28	24	8	30.5	5.75	M5×12	Φ4.3	20.5
SC13VUU	SMA13SUU	SC13SUU	LM13UU	500	770	85	Φ13	15	22	44	30	24.5	8	33	5.5	M5×12	Φ4.3	20.5
SC16VUU	SMA16SUU	SC16SUU	LM16UU	770	1170	132	Φ16	19	25	50	38.5	32.5	9	36	7	M5×12	Φ4.3	23.5
SC20VUU	SMA20SUU	SC20SUU	LM20UU	860	1370	170	Φ20	21	27	54	41	35	11	40	7	M6×12	Φ5.2	27.4
SC25VUU	SMA25SUU	SC25SUU	LM25UU	980	1560	405	Φ25	26	38	76	51.5	42	12	54	11	M8×18	Φ7	37.4
SC30VUU	SMA30SUU	SC30SUU	LM30UU	1560	2740	495	Φ30	30	39	78	59.5	49	15	58	10	M8×18	Φ7	40.9
SC35VUU	SMA35SUU	SC35SUU	LM35UU	1660	3130	790	Φ35	34	45	90	68		18	70	10	M8×18	Φ7	45.4
SC40VUU	SMA40SUU	SC40SUU	LM40UU	2150	4010	1220	Φ40	40	51	102	78	62	20	80	11	M10×25	Φ8.7	56.4
SC50VUU	SMA50SUU	SC50SUU	LM50UU	3820	7930	2300	Φ50	52	61	122	102	80	25	100	11	M10×25	Φ8.7	68.9

MVB Power-Star Bearing Industry Co., Ltd. Tel: +86-592-523 0986 Fax: +86-592-376 1975  
 Url: www.mvbbearing.com Email: vivy@mvbbearing.com ; mvbbearing@gmail.com